

INSTALLATION INSTRUCTIONS

SAFETY PRECAUTIONS

For safety, read and understand instructions completely before starting installation. Electricity should be turned off at the fuse or the circuit breaker box before installing the fixture. All electrical connections must be in accordance with N. E. C and local codes.

CONSULT A QUALIFIED ELECTRICIAN BEFORE INSTALLING

Step 1: Screw bracket into the j-box as shown in Fig A.

Step 2: Wire up the connections according to the wiring diagram as shown in Fig. B

Step 3: Screw canopy into the bracket as shown in Fig. C.

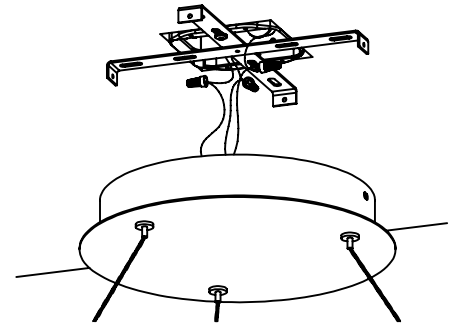
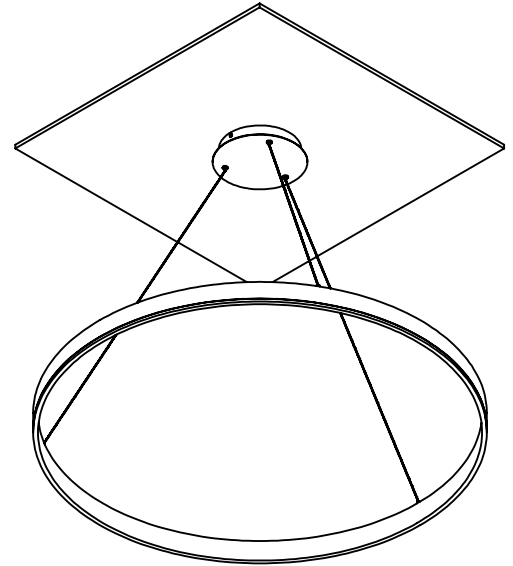


Fig B

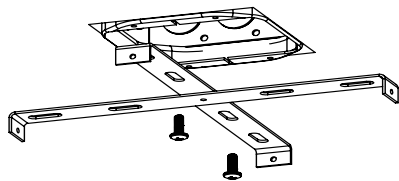


Fig A

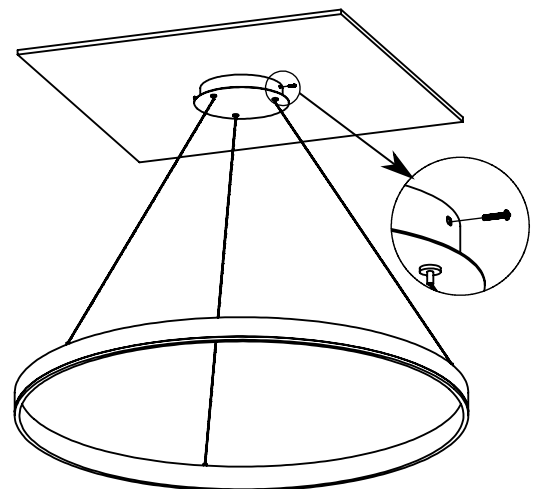


Fig C

CAUTION: RISK OF ELECTRIC SHOCK
DISCONNECT POWER BEFORE CONNECTING THE FIXTURE.
FAIL TO DO SO MAY PERMANENTLY DAMAGE THE LEDS.

WARNING:
DO NOT REMOVE OR ATTEMPT TO REMOVE LEDS.