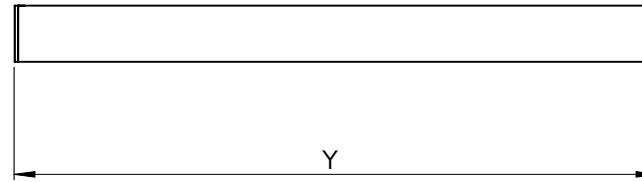
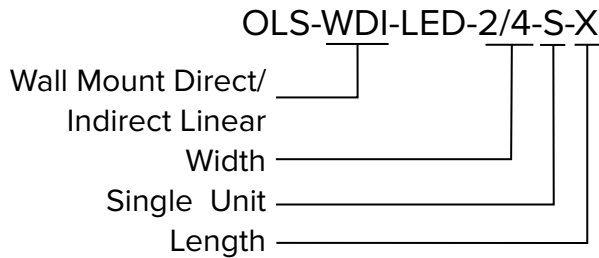


Dimensions

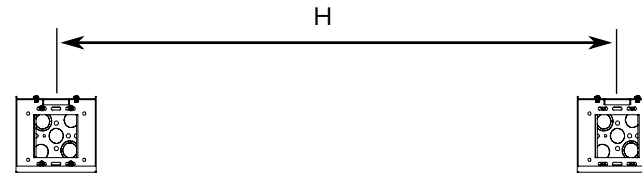


Length	Y
1ft	12 ^{1/2} "
2ft	24 ^{1/2} "
3ft	36 ^{1/2} "
4ft	48 ^{1/2} "
5ft	60 ^{1/2} "
6ft	72 ^{1/2} "
7ft	84 ^{1/2} "
8ft	96 ^{1/2} "

Nonmenclature



Mounting Points Dimensions



Length	H
1ft	6"*
2ft	12"*
3ft	12"
4ft	24"
5ft	36"
6ft	36"
7ft	48"
8ft	48"

*Mounting point will be center and only 1 bracket for 1ft & 2ft

INSTALLATION INSTRUCTIONS



Caution: Disconnect power before installation. Product must be installed in accordance with NEC or your local electrical code. If you are not familiar with these codes and requirements, consult a qualified electrician. Do not handle energized luminaire with wet hands, when standing on wet or damp surfaces, or in water.

O.R. - Revision A -2/26/20

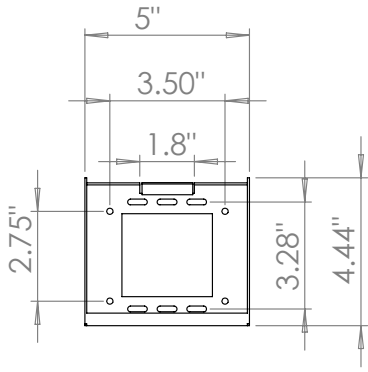


SAFETY INSTRUCTIONS

1. Do not use outdoors.
2. Equipment should be mounted securely in locations and at heights where it will not be readily subjected to tampering by unauthorized personnel.
3. Do not mount near gas or electric heaters.
4. Cap unused wires with enclosed wire nuts or other approved method.
5. Do not use this equipment for anything other than its intended use.
6. The use of accessory equipment not recommended by the manufacturer will void product listing and warranty and may cause an unsafe condition.
7. Use caution when servicing batteries.
8. Any service on this equipment should be performed by qualified personnel only.
9. Make sure wire terminations are secure and leads are properly tucked in appropriate wire channels.

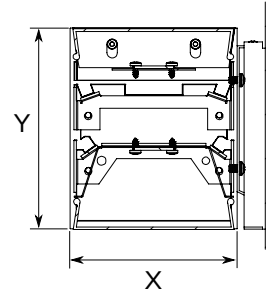
CONSULT A QUALIFIED ELECTRICIAN BEFORE INSTALLING

Mounting Bracket Dimensions



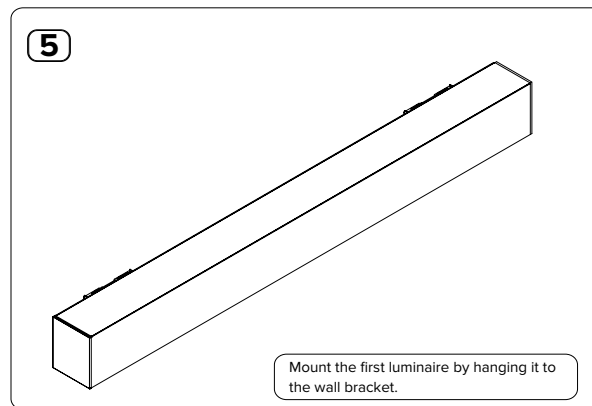
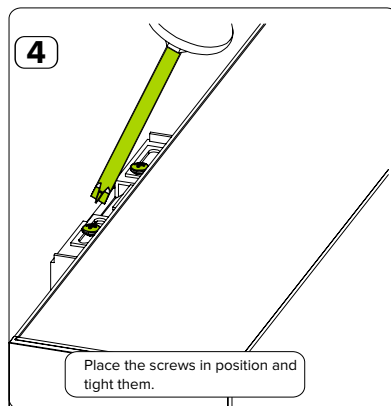
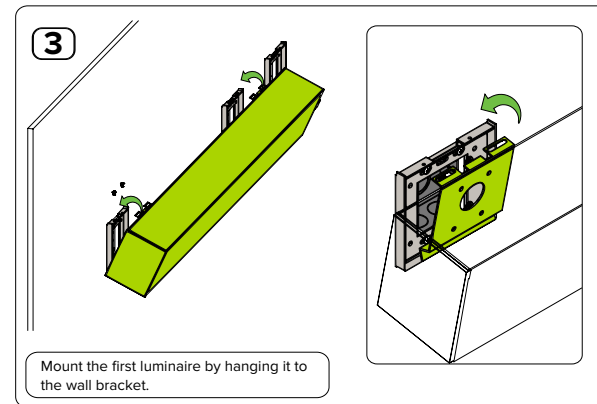
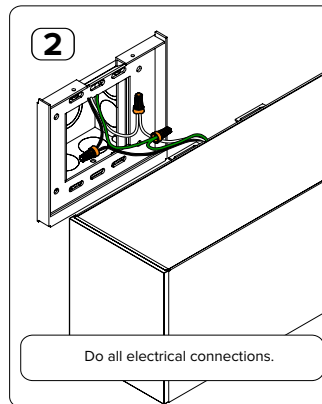
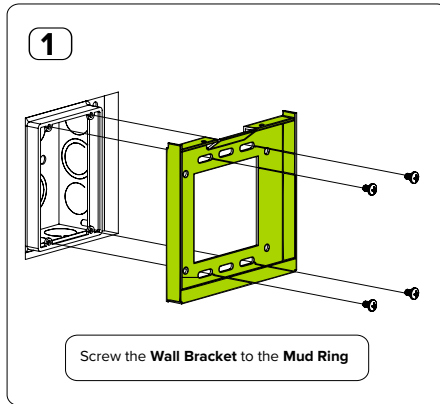
*Brackets are mounted to a 4S junction box with a double gang plaster ring.

Cross Section View

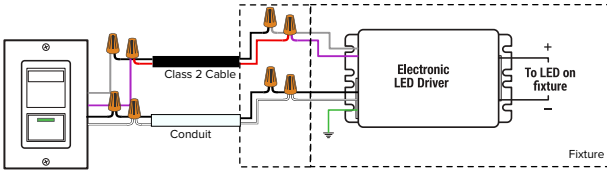
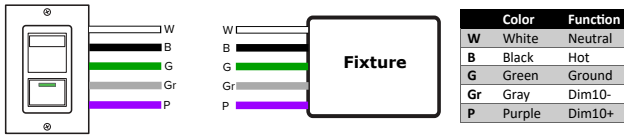


Luminaire Width	X	Y
2in	2 ¹ / ₂ "	4 ¹³ / ₁₆ "
4in	4"	4 ¹³ / ₁₆ "

Installation Steps

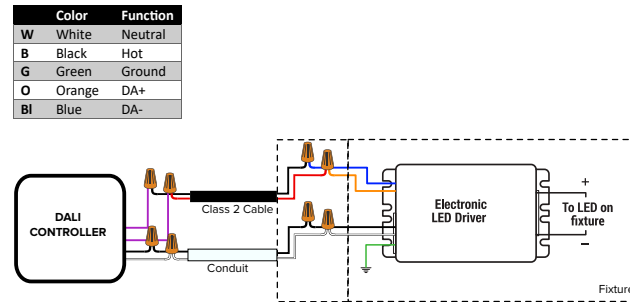
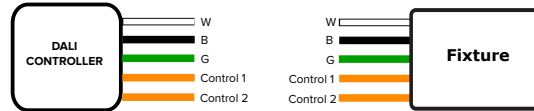


DIM10 DIMMING WIRING (0-10V Dimming)

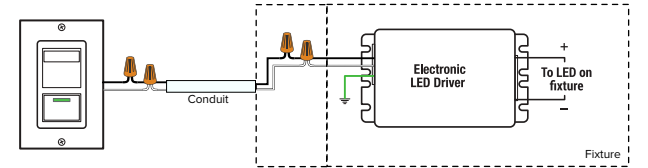
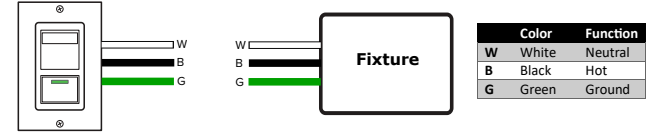


Recommended Dimming Class 2 Cable
18-2C-LVBP

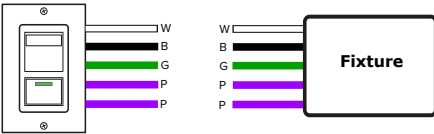
DALI DIMMING WIRING



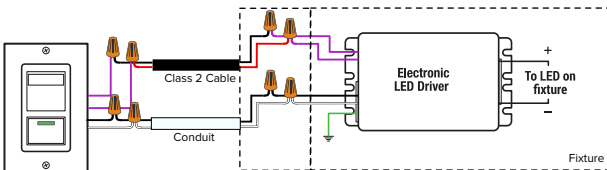
DIMTR/LUT2W DIMMING WIRING (Line Voltage Dimming)



LUTH DIMMING WIRING (Lutron Ecosystem)

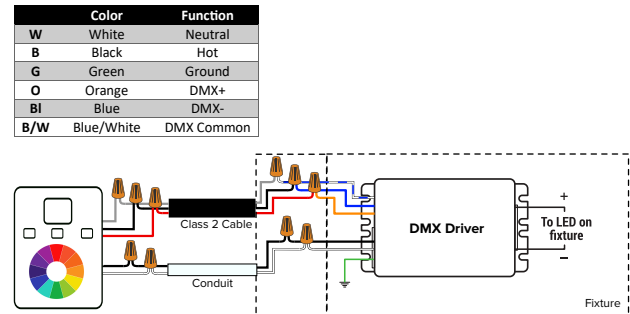
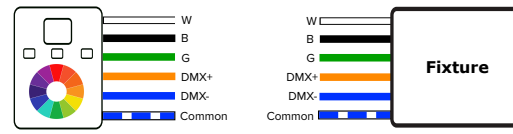


Color	Function
W	White Neutral
B	Black Hot
G	Green Ground
P	Purple E1*
P	Purple E2*



*E1 and E2 (EcoSystem digital link wires) are polarity-insensitive and can be wired in any topology.

DMX DIMMING WIRING



Recommended Dimming Class 2 Cable
18-2C-LVBP

STEP DIMMING WIRING

