

Nonmenclature

OLS-D/DI-LED-2/4-S-X

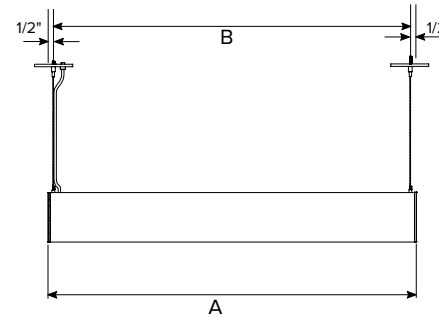
Suspended Linear Direct/Indirect

Width

Single Unit

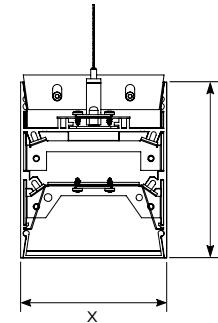
Length

Mounting Points Dimensions



Length	A	B
1ft	12 ¹ / ₂ "	11 ¹ / ₂ "
2ft	24 ¹ / ₂ "	23 ¹ / ₂ "
3ft	36 ¹ / ₂ "	35 ¹ / ₂ "
4ft	48 ¹ / ₂ "	47 ¹ / ₂ "
5ft	60 ¹ / ₂ "	59 ¹ / ₂ "
6ft	72 ¹ / ₂ "	71 ¹ / ₂ "
7ft	84 ¹ / ₂ "	83 ¹ / ₂ "
8ft	96 ¹ / ₂ "	95 ¹ / ₂ "

Width



Width	X	Y
2in	2 ¹ / ₂ "	4 ¹³ / ₁₆ "
4in	4"	4 ¹³ / ₁₆ "

INSTALLATION INSTRUCTIONS



Caution: Disconnect power before installation. Product must be installed in accordance with NEC or your local electrical code. If you are not familiar with these codes and requirements, consult a qualified electrician. Do not handle energized luminaire with wet hands, when standing on wet or damp surfaces, or in water.

O.R. - Revision C -2/18/20

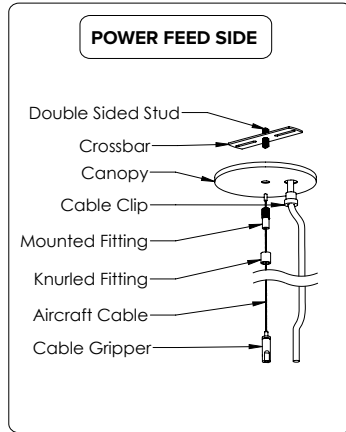
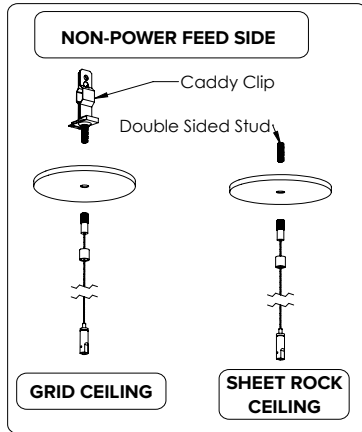


SAFETY INSTRUCTIONS

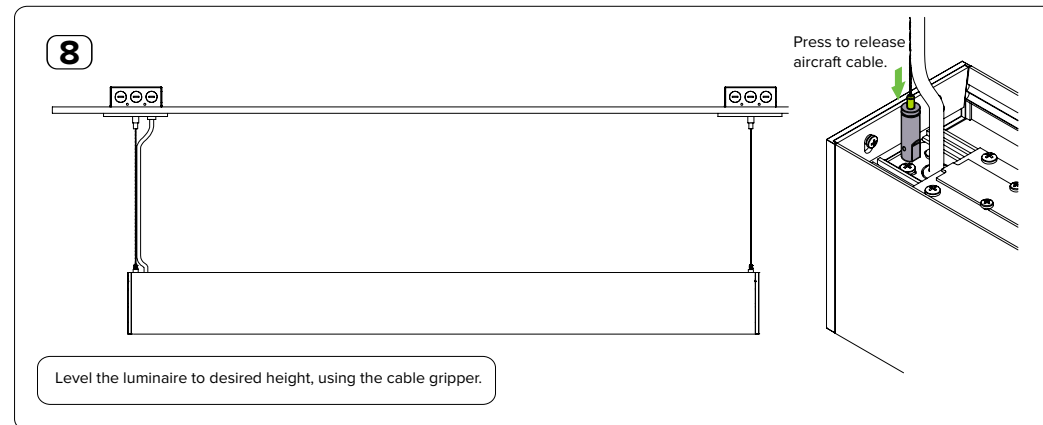
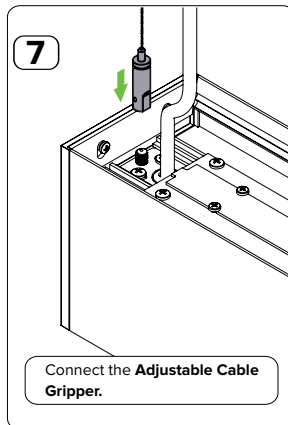
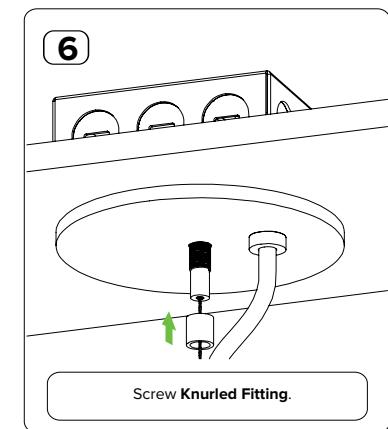
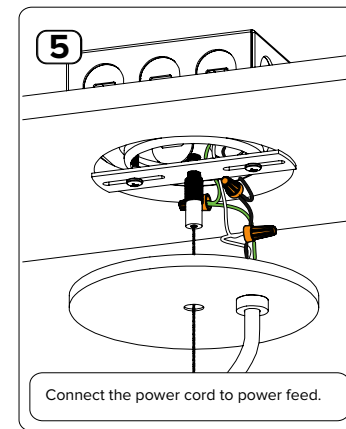
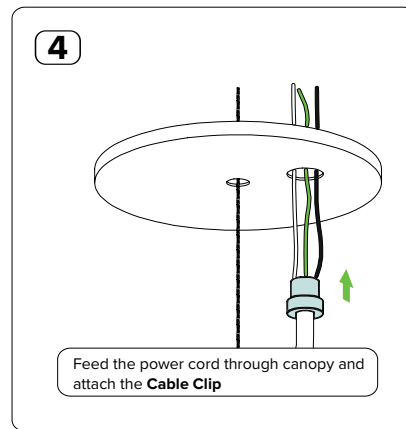
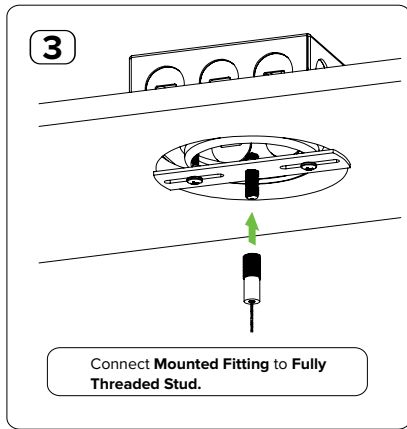
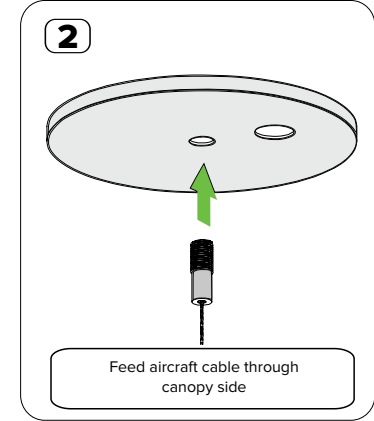
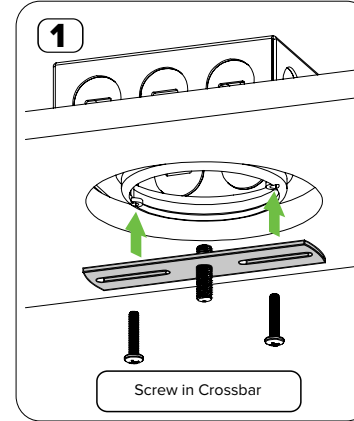
- Do not use outdoors.
- Equipment should be mounted securely in locations and at heights where it will not be readily subjected to tampering by unauthorized personnel.
- Do not mount near gas or electric heaters.
- Cap unused wires with enclosed wire nuts or other approved method.
- Do not use this equipment for anything other than its intended use.
- The use of accessory equipment not recommended by the manufacturer will void product listing and warranty and may cause an unsafe condition.
- Use caution when servicing batteries.
- Any service on this equipment should be performed by qualified personnel only.
- Make sure wire terminations are secure and leads are properly tucked in appropriate wire channels.

CONSULT A QUALIFIED ELECTRICIAN BEFORE INSTALLING

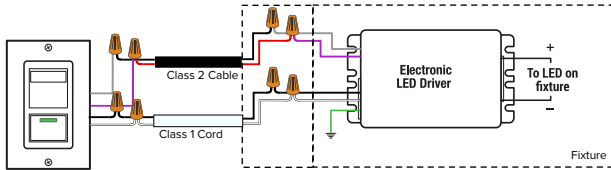
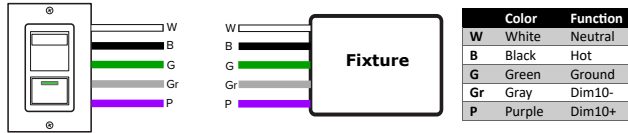
MOUNTING



INSTRUCTIONS STEPS



DIM10 DIMMING WIRING (0-10V Dimming)

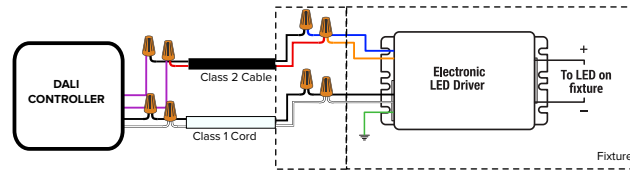


Recommended Dimming Class 2 Cable
18-2C-LVBP

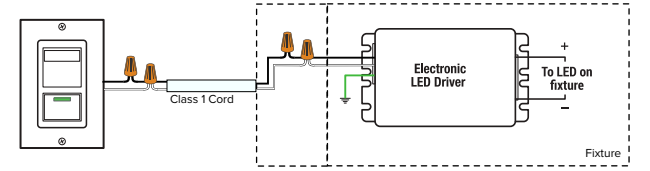
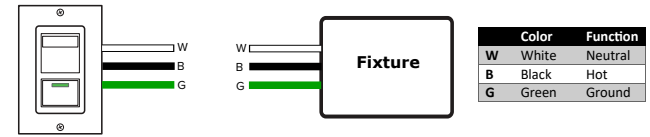
DALI DIMMING WIRING



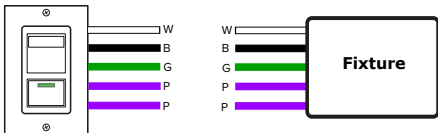
Color	Function
W	White Neutral
B	Black Hot
G	Green Ground
O	Orange DA+
Bl	Blue DA-



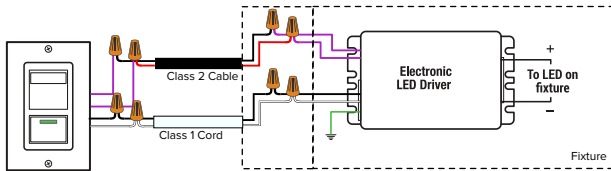
DIMTR/LUT2W DIMMING WIRING (Line Voltage Dimming)



LUTH DIMMING WIRING (Lutron Ecosystem)

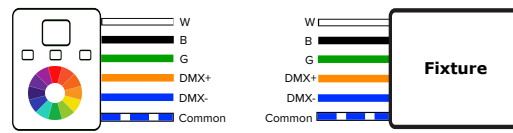


Color	Function
W	White Neutral
B	Black Hot
G	Green Ground
P	Purple E1*
P	Purple E2*

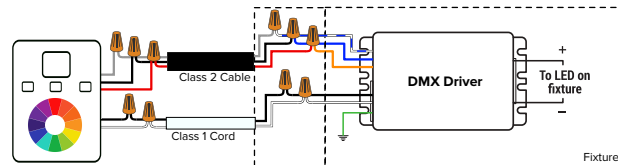


*E1 and E2 (EcoSystem digital link wires) are polarity-insensitive and can be wired in any topology.

DMX DIMMING WIRING



Color	Function
W	White Neutral
B	Black Hot
G	Green Ground
O	Orange DMX+
Bl	Blue DMX-
B/W	Blue/White DMX Common



Recommended Dimming Class 2 Cable
18-2C-LVBP

STEP DIMMING WIRING

