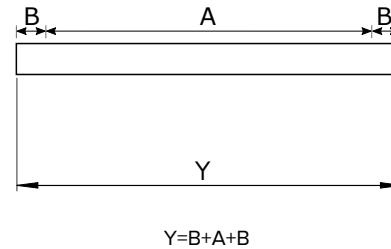
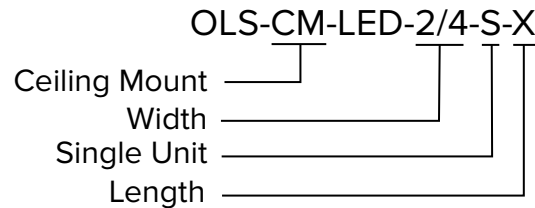


### Mounting Point Length

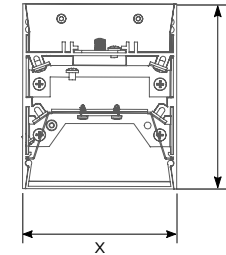


Length	A	B
1ft	0"	$6\frac{1}{4}$ "
2ft	12"	$6\frac{1}{4}$ "
3ft	12"	$12\frac{1}{4}$ "
4ft	24"	$12\frac{1}{4}$ "
5ft	36"	$12\frac{1}{4}$ "
6ft	48"	$12\frac{1}{4}$ "
7ft	36"	$24\frac{1}{4}$ "
8ft	48"	$24\frac{1}{4}$ "

### Nomenclature



### Dimension



	X	Y
2in	$2\frac{1}{2}$ "	$4\frac{13}{16}$ "
4in	4"	$4\frac{13}{16}$ "

### INSTALLATION INSTRUCTIONS



**Caution:** Disconnect power before installation. Product must be installed in accordance with NEC or your local electrical code. If you are not familiar with these codes and requirements, consult a qualified electrician. Do not handle energized luminaire with wet hands, when standing on wet or damp surfaces, or in water.

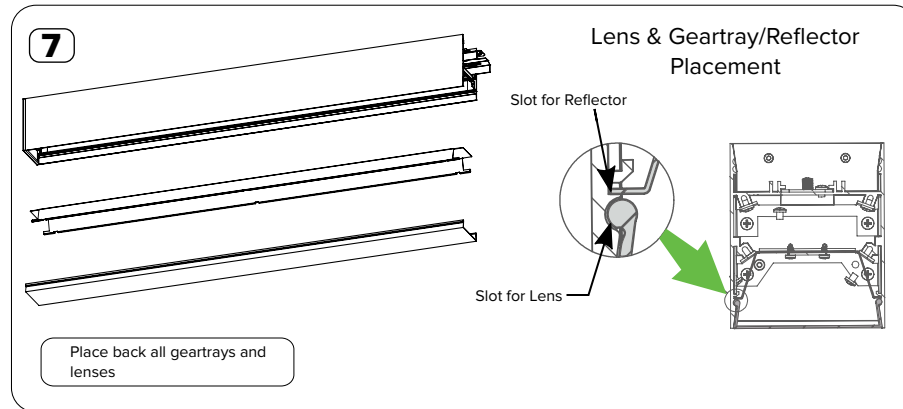
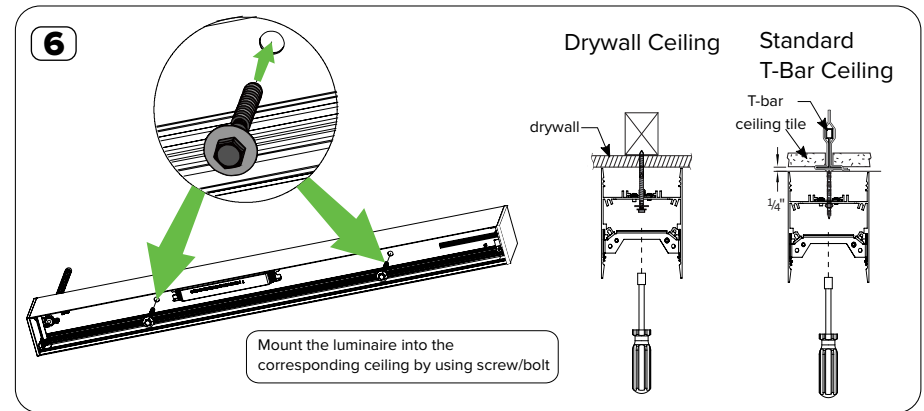
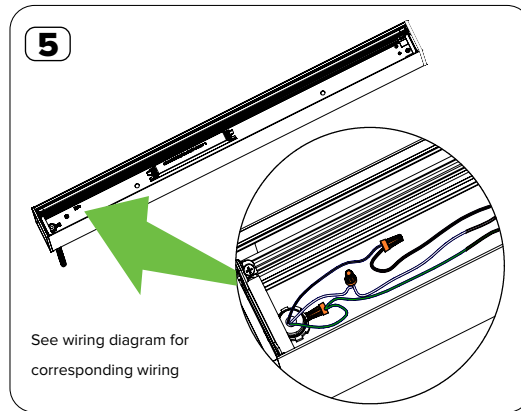
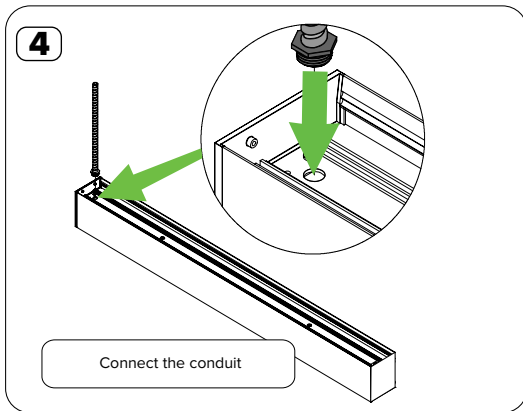
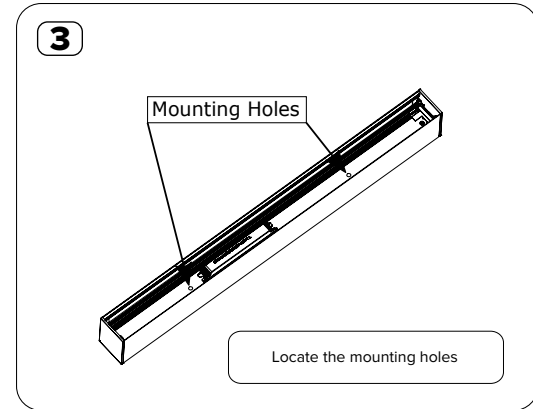
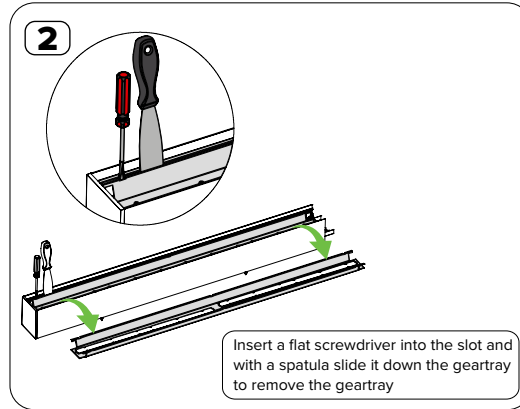
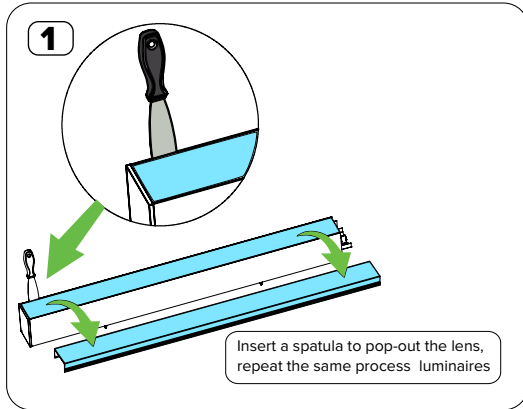
O.R. - Rev C - 1/7/20



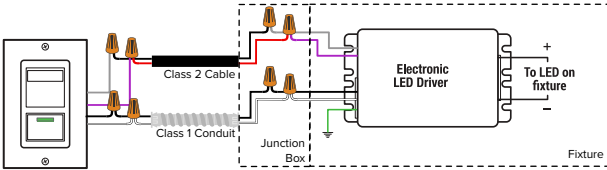
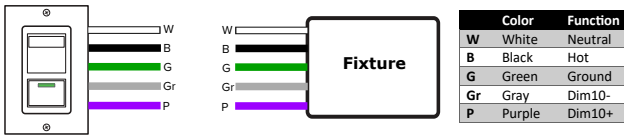
### SAFETY INSTRUCTIONS

- Do not use outdoors.
- Equipment should be mounted securely in locations and at heights where it will not be readily subjected to tampering by unauthorized personnel.
- Do not mount near gas or electric heaters.
- Cap unused wires with enclosed wire nuts or other approved method.
- Do not use this equipment for anything other than its intended use. The use of accessory equipment not recommended by the manufacturer will void product listing and warranty and may cause an unsafe condition.
- Use caution when servicing batteries.
- Any service on this equipment should be performed by qualified personnel only.
- Make sure wire terminations are secure and leads are properly tucked in appropriate wire channels.

**CONSULT A QUALIFIED ELECTRICIAN BEFORE INSTALLING**

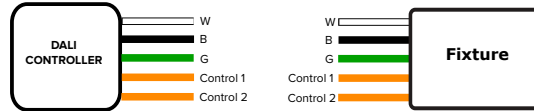


### DIM10 DIMMING WIRING (0-10V Dimming)

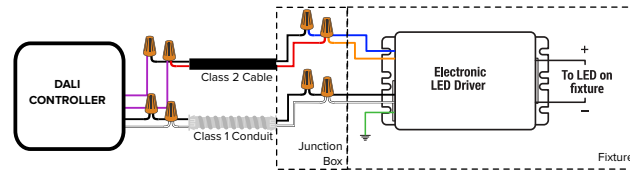


**Recommended Dimming Class 2 Cable**  
18-2C-LVBP

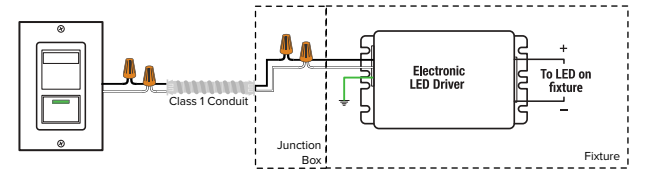
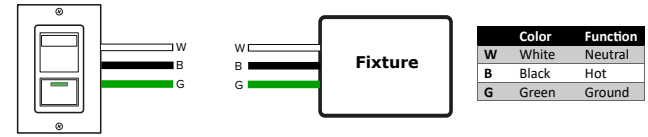
### DALI DIMMING WIRING



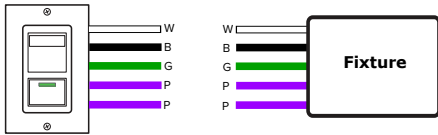
Color	Function
W	White Neutral
B	Black Hot
G	Green Ground
O	Orange DA+
Bl	Blue DA-



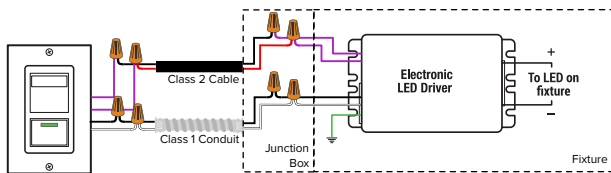
### DIMTR/LUT2W DIMMING WIRING (Line Voltage Dimming)



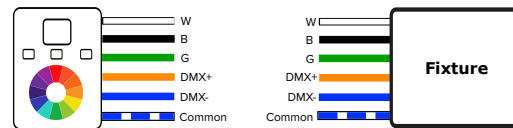
### LUTH DIMMING WIRING (Lutron Ecosystem)



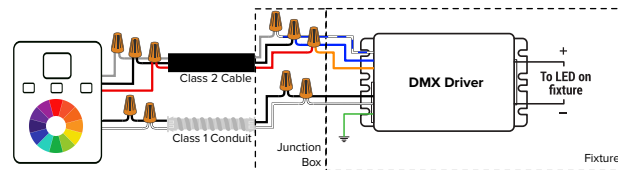
Color	Function
W	White Neutral
B	Black Hot
G	Green Ground
P	Purple E1*
P	Purple E2*



### DMX DIMMING WIRING

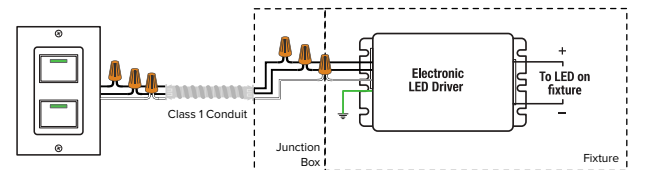
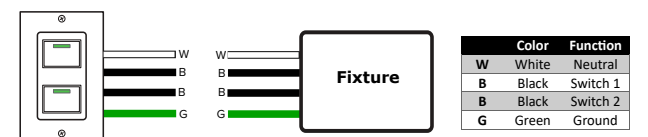


Color	Function
W	White Neutral
B	Black Hot
G	Green Ground
O	Orange DMX+
Bl	Blue DMX-
B/W	Blue/White DMX Common



**Recommended Dimming Class 2 Cable**  
18-2C-LVBP

### STEP DIMMING WIRING



\*E1 and E2 (EcoSystem digital link wires) are polarity-insensitive and can be wired in any topology.