



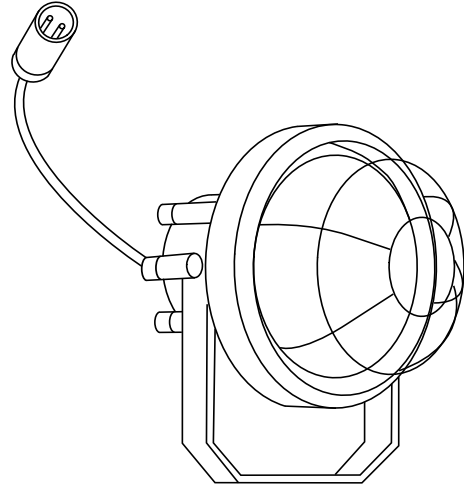
SAFETY INSTRUCTIONS

1. Do not use outdoors. 2. Equipment should be mounted securely in locations and at heights where it will not be readily subjected to tampering by unauthorized personnel. 3. Do not mount near gas or electric heaters. 4. Cap unused wires with enclosed wire nuts or other approved method. 5. Do not use this equipment for anything other than its intended use. 6. The use of accessory equipment not recommended by the manufacturer will void product listing and warranty and may cause an unsafe condition. 7. Use caution when servicing batteries. 8. Any service on this equipment should be performed by qualified personnel only. 9. Make sure wire terminations are secure and leads are properly tucked in appropriate wire channels.

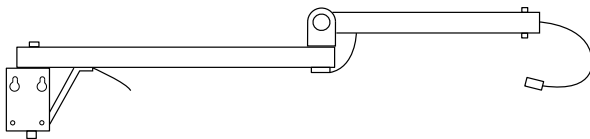


Caution:

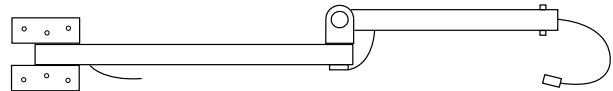
Disconnect AC power before servicing and installation. All electrical connections must be in accordance with NEC/CEC or your local code.



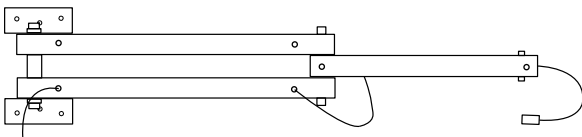
FOUR KINDS OF OPTIONAL BRACKETS



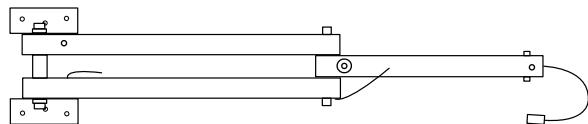
Single Swing Arm
A1 (40in)



Single Swing Arm
A2 (40in60in)



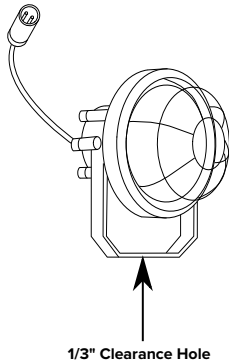
Double Strut Arm
B1 (40in 60in)



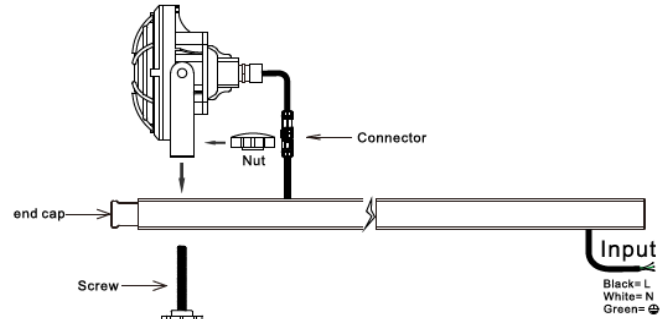
Double Strut Arm
C1 (40in 60in)

INSTALLATION

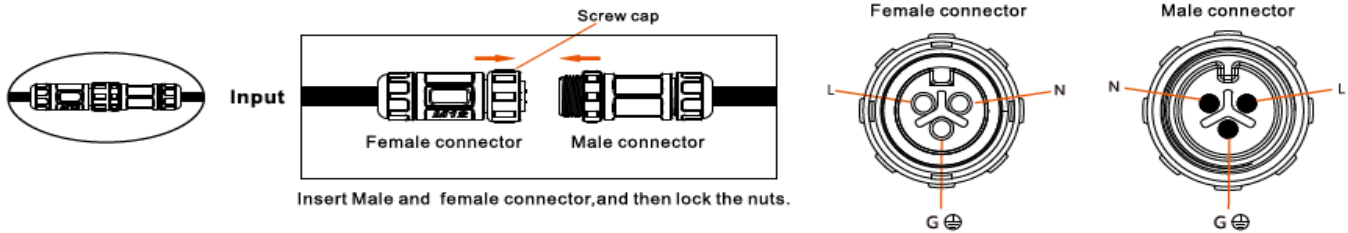
1. Disconnect all power to existing dock light.
2. Attach product to dock arm, utilizing the 1/3 inch clearance hole located on the brakcet (see illustration below).
3. Connect the power cord.
4. Restore power and position light in desired location..



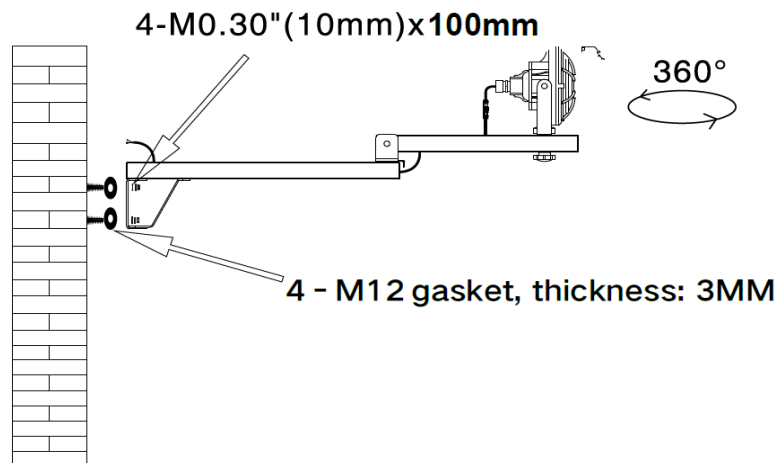
Installation on a standard dock light arm



CONNECTOR WIRING DIAGRAM



WALL INSTALLATION



This fixture is designed for wall or post mounting and requires a flat vertical surface of 5 inches (130mm) wide and 20 inches (508mm) high. If a large number of fixtures are to be installed, remove the support bracket from one fixture for use as a template to locate mounting holes. Four (4) M0.30 inch (10mm) bolts are required for mounting. for the most efficient operation, we suggest mounting the fixtures so that the light head, in a level position, can be focused into the top corner of the lowest trailer expect to use the loading location. It should also be mounted as close to the door or opening edge as is practical. For maximum safety, mount the bottom of the bracket 6 feet 9 inches (2.1m) from the floor (This will clear the average person). Do not mount in a manner that would allow the wall arm to be trapped below an overhead door as it is closing.