



SAFETY INSTRUCTIONS

1. May be used outdoors. 2. Equipment should be mounted securely in locations and at heights where it will not be readily subjected to tampering by unauthorized personnel. 3. Do not mount near gas or electric heaters. 4. Cap unused wires with enclosed wire nuts or other approved method. 5. Do not use this equipment for anything other than its intended use. 6. The use of accessory equipment not recommended by the manufacturer will void product listing and warranty and may cause an unsafe condition. 7. Use caution when servicing batteries. 8. Any service on this equipment should be performed by qualified personnel only. 9. Make sure wire terminations are secure and leads are properly tucked in appropriate wire channels. **CONSULT A QUALIFIED ELECTRICIAN BEFORE INSTALLING**

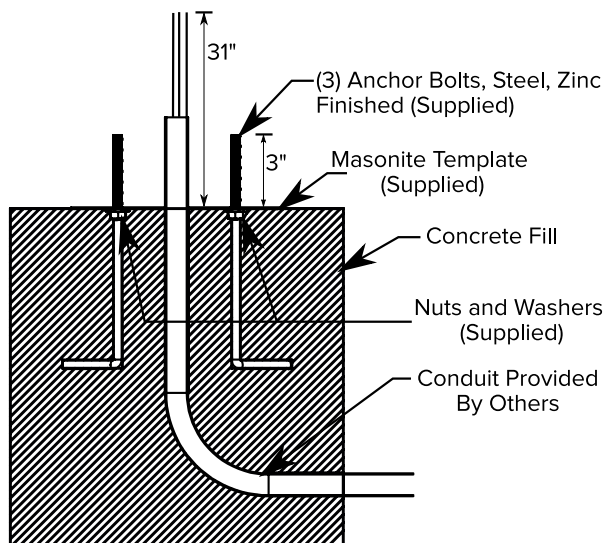


Caution:

Disconnect AC power before servicing and installation. All electrical connections must be in accordance with NEC/CEC or your local code.

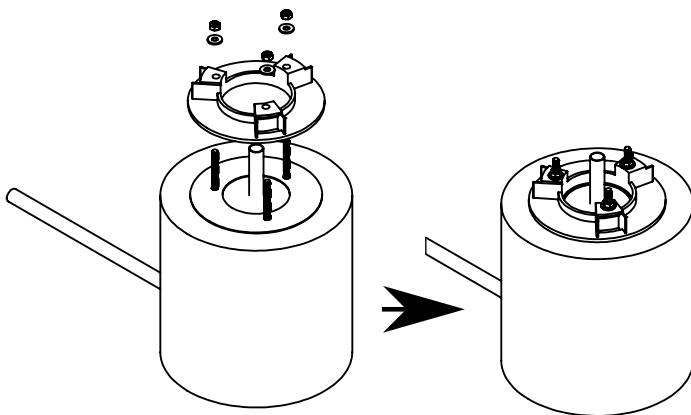
FOUNDATION

1. Prepare site. Ensure that the concrete base is suitable for bollard load.
2. Supply lead must extend a minimum of 31" above the top of finished foundation.
3. Install three anchor bolts into the concrete as per the provided masonite template, having at least 3" protruding from the concrete with threads free and clear of debris and dirt. Use template to set anchor bolts at proper location.

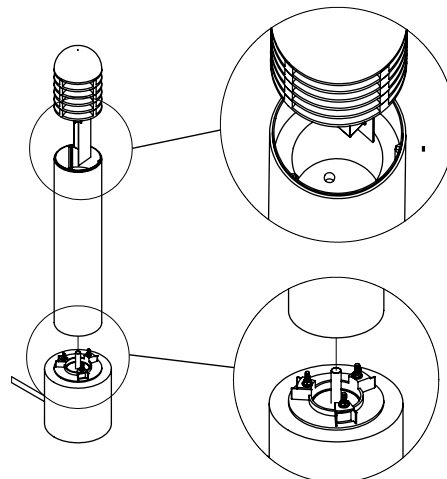


BOLLARD INSTALLATION

1. Mount the base plate on anchor bolts. The conduit should be as centered in between the bolt pattern.
2. Add washers and nuts. Tighten nuts.

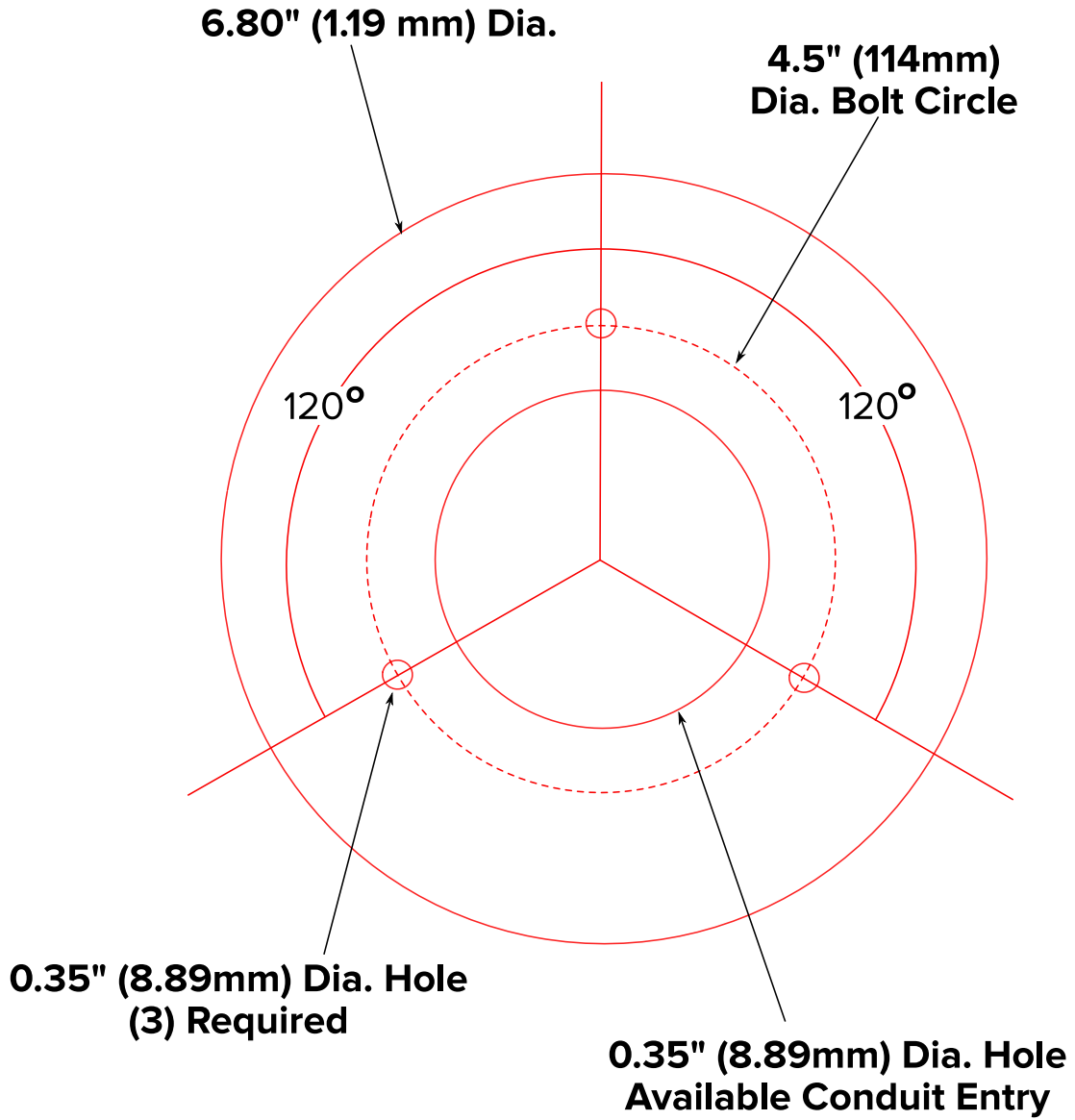


3. Install bollard pole to base plate by sliding pole over base plate and tightening all three set screws.
4. Connect supply lead to the power leads on the bollard head.
5. Carefully insert bollard head back into the bollard extrusion, being careful to not pinch any leads. Push down on bollard head and retighten set screws.



TEMPLATE

NOT TO SCALE



**(3) Anchor Bolts
M8 7.95" (201.93 mm)
Bolt Projection: 2" (51mm)**