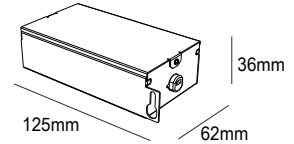




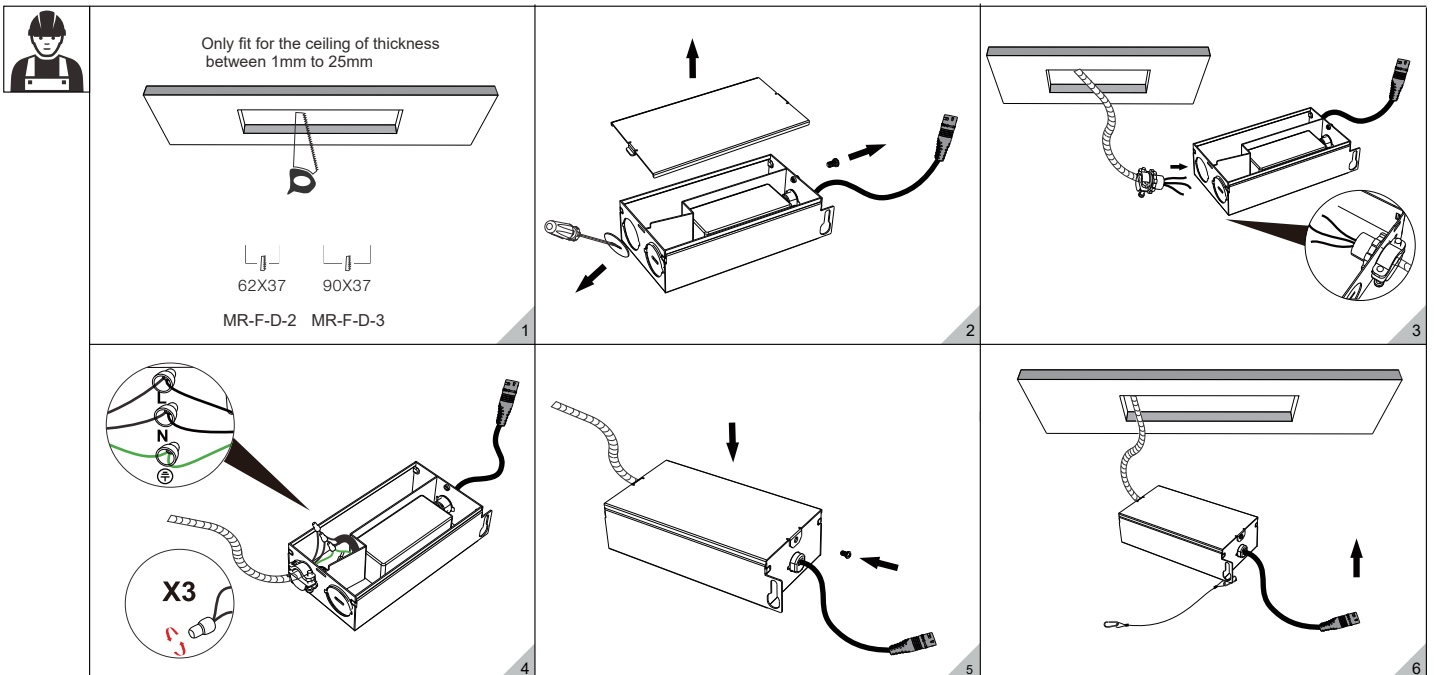
## IMPORTANT SAFETY INSTRUCTIONS

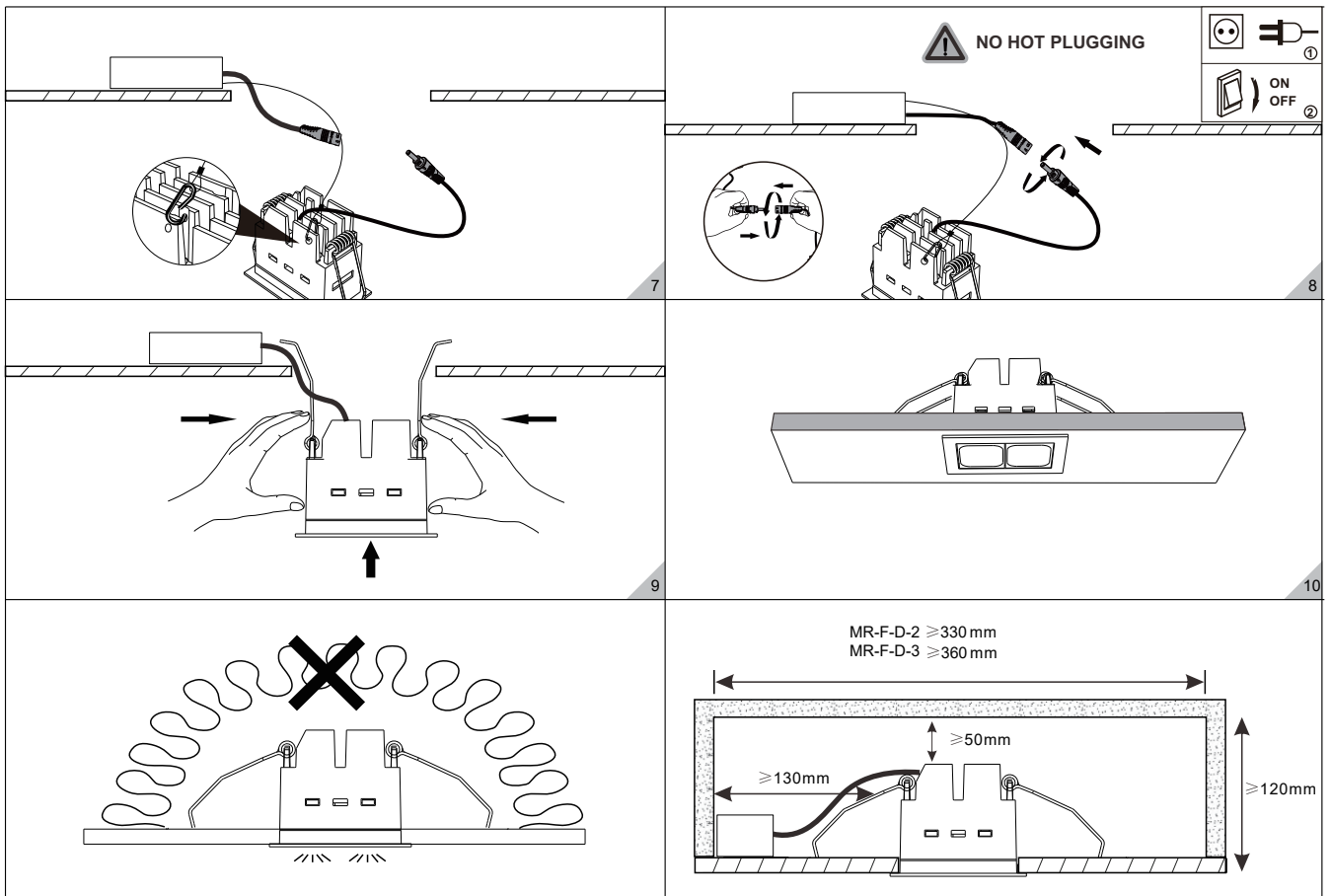
Read And Follow All Safety Instructions:

Type Non-IC Recessed  
Inherently protected  
Suitable for dry location



- Turn off electrical power before modifying the lighting system in any way.
- Do not install while power leads are energized.
- Install per national installation and accidental prevention regulations.
- The side clearance between the edge of the metal box and parts of the building must be at least 50mm.
- Do not conceal or extend exposed conductors through a building wall.
- Do not install the system in wet locations.
- To reduce the risk of fire and burns, do not install this lighting system where the exposed bare conductors can be shorted or contact any conductive materials.
- To reduce the risk of fire and overheating, make sure all connections are tight.
- Do not install any luminaire closer than 6 in (152 mm) from any curtain, or similar combustible materials.





The following warning:

- a. NOT SUITABLE FOR USE IN DAMP OR WET LOCATIONS
  - b. DO NOT INSTALL OUTPUT CONDUCTORS LONGER THAN 500mm
  - c. DO NOT CONNECT TWO OR MORE POWER SUPPLIES IN PARALLEL
  - d. DO NOT INSTALL ANY PART OF THIS SYSTEM LESS THAN 7 FEET (2.2 M) ABOVE THE FLOOR.
- SAVE THESE INSTRUCTIONS

For dimmable models: The manufacturer's recommendations for proper installation of the control circuit (e.g., acceptable system wiring configurations, considerations for load distribution, acceptability of the control circuit to exit the luminaire, acceptable control and sense devices that can be integrated with the control circuit, etc.).

Other warnings that will not lead to misuse.

Note: The phrases "IMPORTANT SAFETY INSTRUCTIONS" and "SAVE THESE INSTRUCTIONS" shall be at least 3/16 inch (4.8 mm) high. All other lettering shall be at least 1/16 inch (1.6 mm) high.