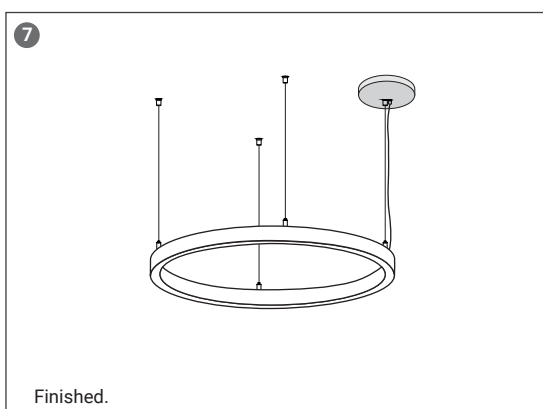
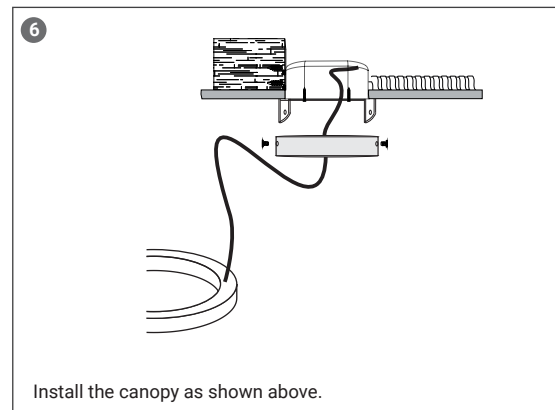
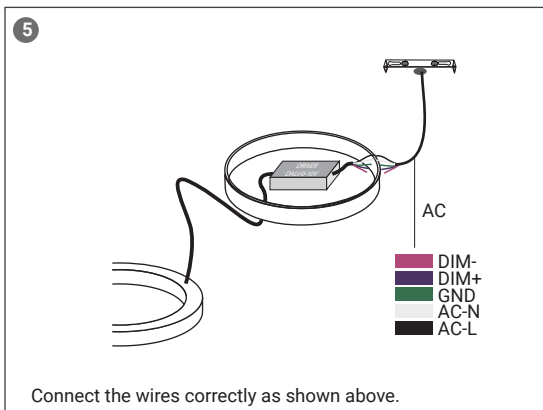
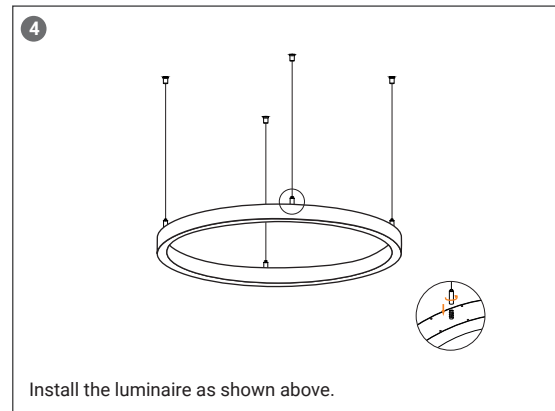
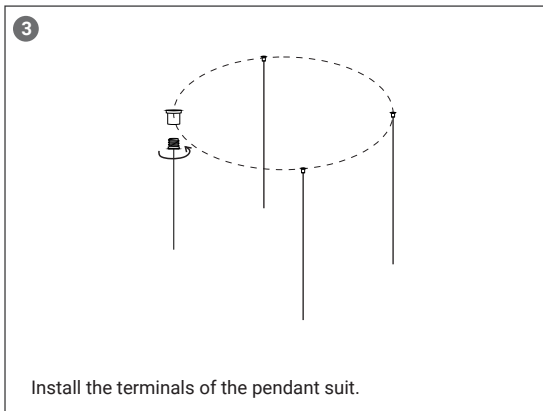
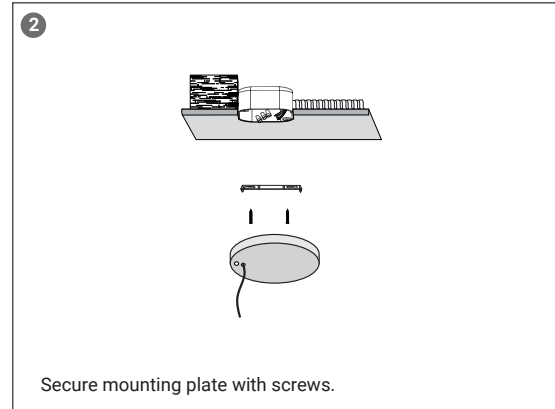
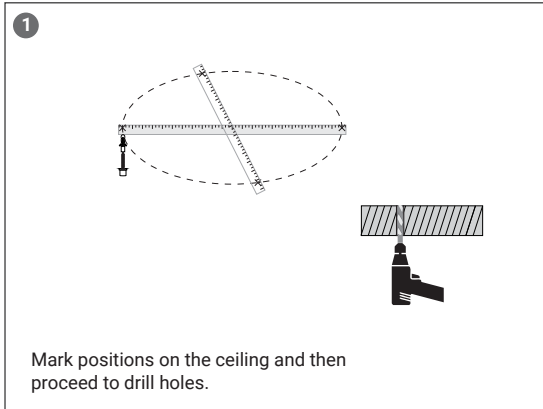



Installation Guide: Side Canopy



Safety & Warnings! 

1. Install in accordance with national and local electrical code regulations.
2. This product is intended to be installed and serviced by a qualified, licensed electrician.
3. Do not install in wet locations. For dry use only.
4. Turn off electrical power before installing.
5. To reduce the risk of fire and overheating, make sure all connections are tight.

Installation Guide: Central Canopy



1

Install the luminaire as shown above.

2

Install the wire holder.

3

Install the terminals for the pendant suit and ceiling box as shown above.

4

Secure mounting plate with screws.

5

Connect the wires correctly as shown above.

6

Install the canopy as shown above.

7

Finished.

Safety & Warnings!

1. Install in accordance with national and local electrical code regulations.
2. This product is intended to be installed and serviced by a qualified, licensed electrician.
3. Do not install in wet locations. For dry use only.
4. Turn off electrical power before installing.
5. To reduce the risk of fire and overheating, make sure all connections are tight.