

Installation Guide for Ø23", Ø35, and Ø47" Side Canopy



1

Mark positions on the ceiling and then proceed to drill holes.

2

Secure mounting plate with screws..

3

Install the terminals of the pendant suit.

4

Install the luminaire as shown above.

5

Connect the wires correctly as shown above.

- DIM-
- DIM+
- GND
- AC-N
- AC-L

6

Install the canopy as shown above.

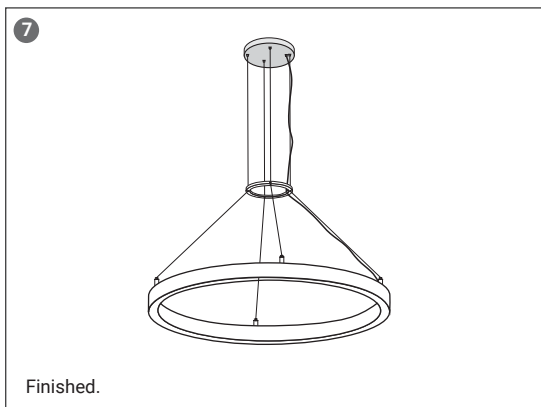
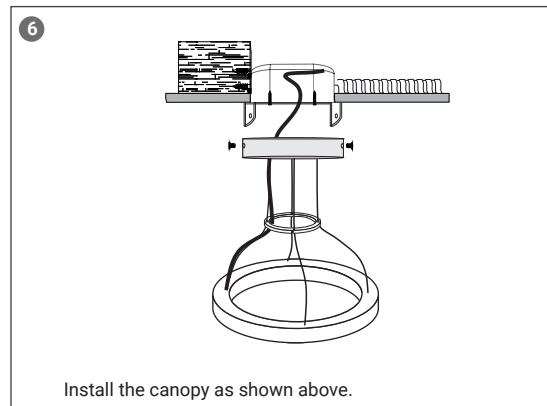
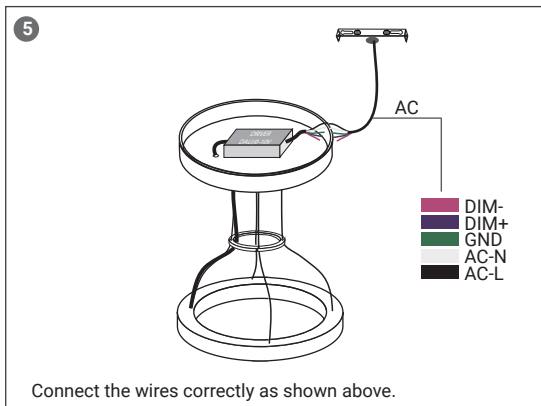
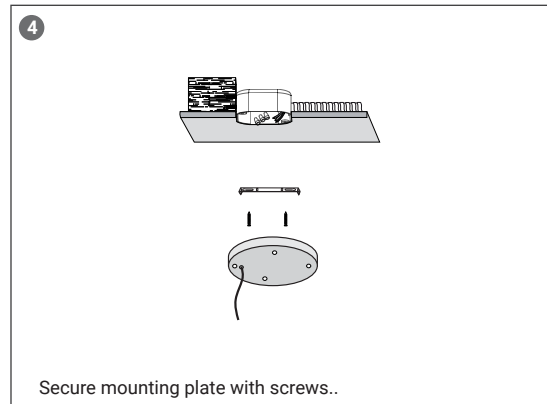
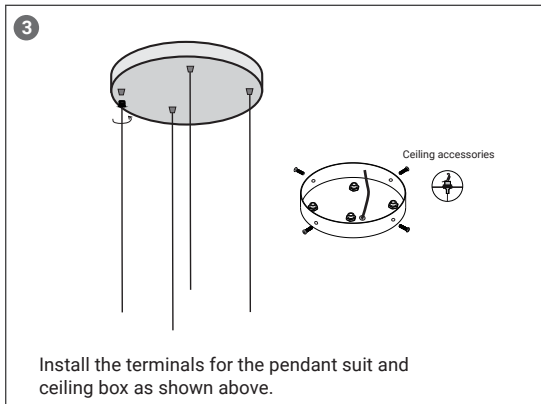
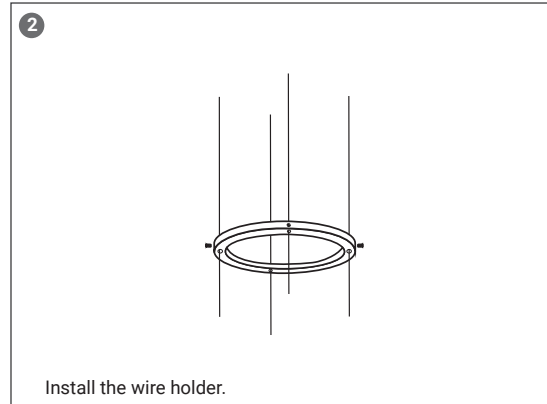
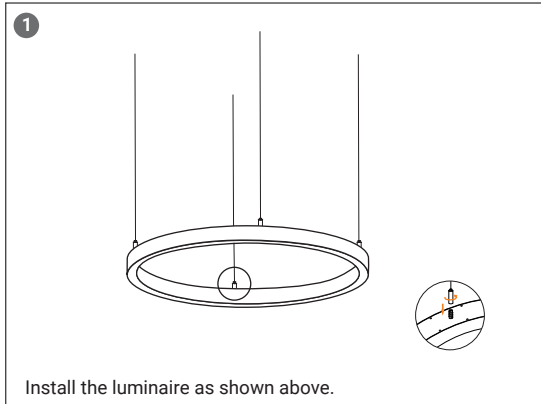
7

Finished.

Safety & Warnings!

1. Install in accordance with national and local electrical code regulations.
2. This product is intended to be installed and serviced by a qualified, licensed electrician.
3. Do not install in wet locations. For dry use only.
4. Turn off electrical power before installing.
5. To reduce the risk of fire and overheating, make sure all connections are tight.

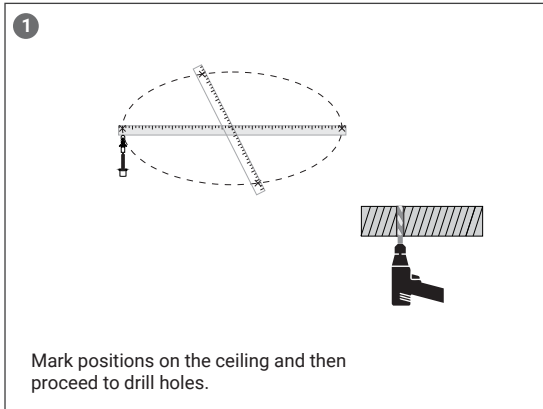
Installation Guide for Ø23", Ø35", and Ø47" Central Canopy



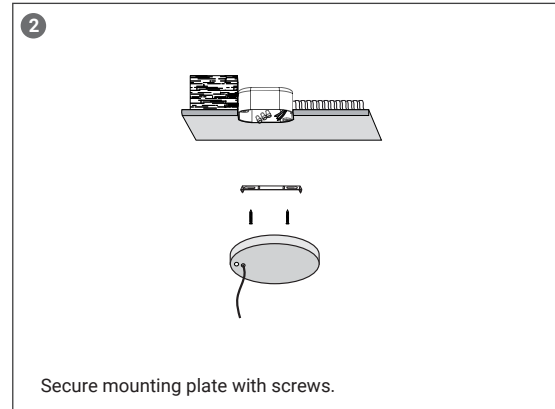
Safety & Warnings!

1. Install in accordance with national and local electrical code regulations.
2. This product is intended to be installed and serviced by a qualified, licensed electrician.
3. Do not install in wet locations. For dry use only
4. Turn off electrical power before installing.
5. To reduce the risk of fire and overheating, make sure all connections are tight.

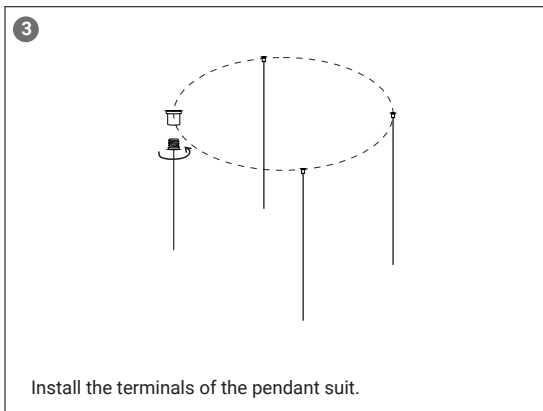
Installation Guide for Ø72" Side Canopy



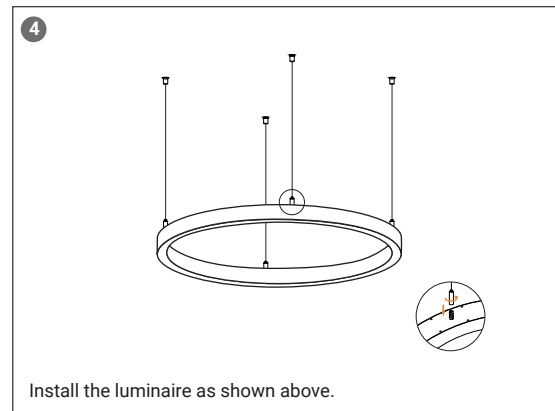
Mark positions on the ceiling and then proceed to drill holes.



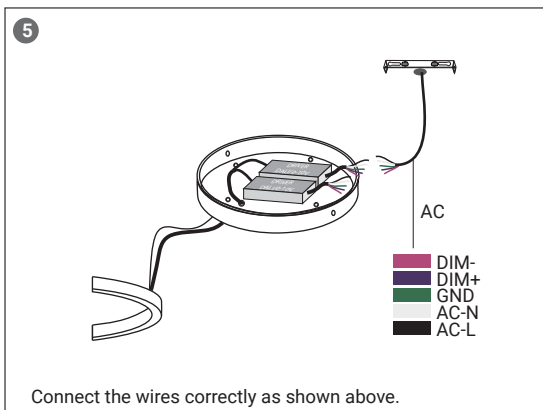
Secure mounting plate with screws.



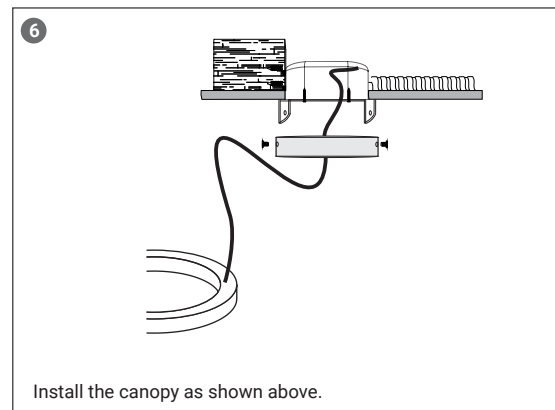
Install the terminals of the pendant suit.



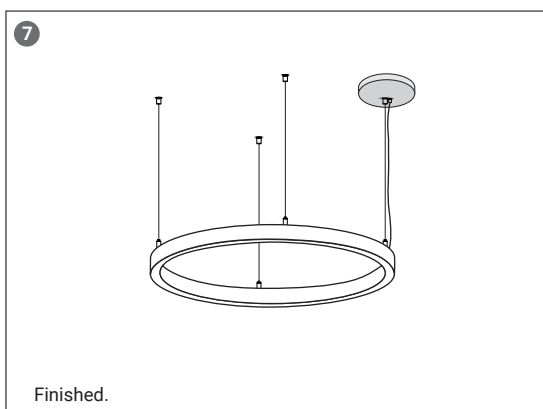
Install the luminaire as shown above.



Connect the wires correctly as shown above.



Install the canopy as shown above.



Finished.

Safety & Warnings!



1. Install in accordance with national and local electrical code regulations.
2. This product is intended to be installed and serviced by a qualified, licensed electrician.
3. Do not install in wet locations. For dry use only.
4. Turn off electrical power before installing.
5. To reduce the risk of fire and overheating, make sure all connections are tight.

Installation Guide for Ø72" Central Canopy



1

Install the luminaire as shown above.

2

Install the wire holder.

3

Install the terminals for the pendant suit and ceiling box as shown above.

4

Secure mounting plate with screws.

5

Connect the wires correctly as shown above.

- DIM-
- DIM+
- GND
- AC-N
- AC-L

6

Install the canopy as shown above.

7

Finished.

Safety & Warnings!

1. Install in accordance with national and local electrical code regulations.
2. This product is intended to be installed and serviced by a qualified, licensed electrician.
3. Do not install in wet locations. For dry use only.
4. Turn off electrical power before installing.
5. To reduce the risk of fire and overheating, make sure all connections are tight.