

## Installation Instructions



### **WARNING**

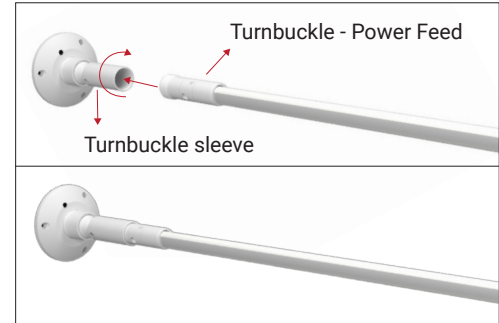
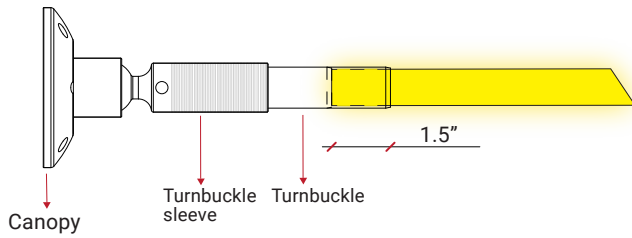
1. Carefully read all instructions before proceeding.
2. This manual demonstrates the installation of the single-canopy component. The same installation process applies to canopies with 2 to 6 outlets.
3. Follow all national and local electrical codes during installation.
4. This product must be installed and serviced by a qualified, licensed electrician.
5. Ensure power is turned off before installing or servicing the fixture.
6. To prevent fire and overheating, make sure all connections are secure.



**WARNING: ELECTRIC SHOCK HAZARD!**  
**Serious injury or death may occur. Before installation or servicing, turn off the power at the circuit breaker.**

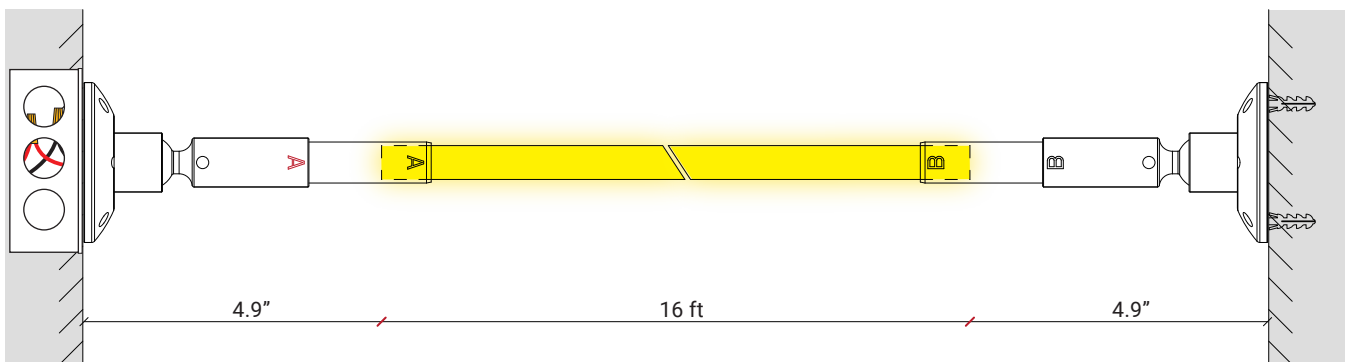
**Canopy Technical Details**

1. To adjust the length and tension of the FLEXILINE light, rotate the turnbuckle inside the turnbuckle sleeve, which is housed within the canopy.



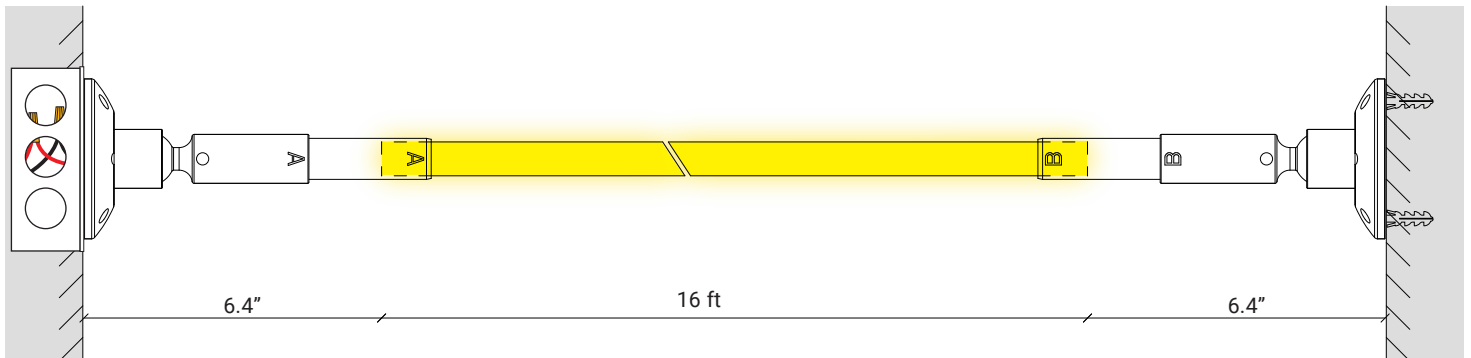
2. Installation Distance (Taking one 16 ft light strip as an example)

**Minimum installation distance: 16.82 ft**



**Power Feed Installation – Compatible with standard 4" square J-box (requires 4" round plaster ring).**

**Maximum installation distance: 17.07 ft**



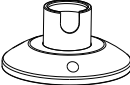
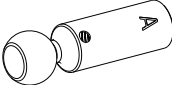
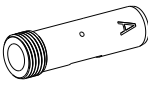








**Power Feed Installation – Compatible with standard 4" square J-box (requires 4" round plaster ring).**

**Attention**

- The length of the neon light strip = installation distance minus approximately 8 inches
- 16 ft is the length of the neon light strip. The actual installation length should also include the length of the accessories
- Using a 16 ft light strip as an example, the total installation length of the complete set is approximately between 16.82 ft and 17.07 ft
- It is recommended to install the A-end outlet first, followed by the B-end
- We recommend customizing the lengths in the field for more precise and better installation results
- Side A: Supplied with threaded end cap pre-installed and 10 ft UL-compliant FT6 power cable
- Side B: Supplied open (without threaded end cap) to allow field-cutting; end cap must be installed on-site
- The 1 outlet canopy is compatible with a standard 4" square junction box (requires 4" round plaster ring)

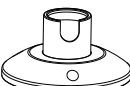
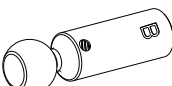
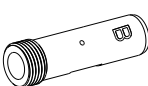








**For detailed information about the installation system, please refer to the installation guide and the installation videos available on the website.**

**Base A Assembly**

					
Canopy	Turnbuckle sleeve	Turnbuckle	Cover	Cable lock	Hex screws
					
Flat head screws	Hex screws	Self-tapping screws	Plastic anchors	Rubber plugs	

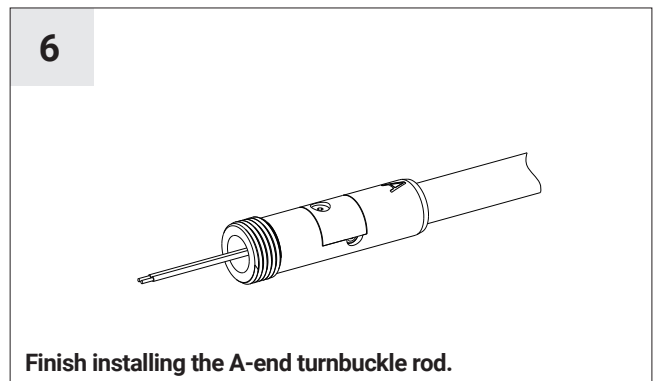
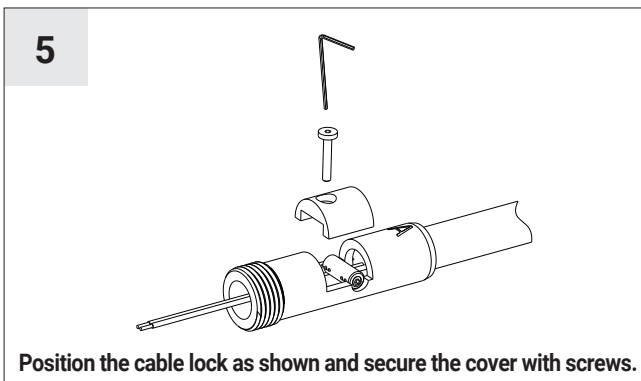
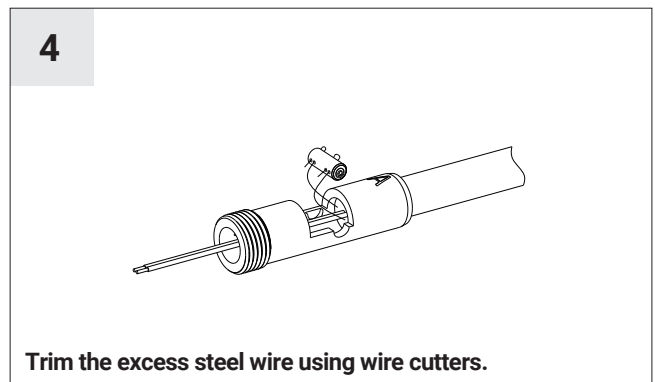
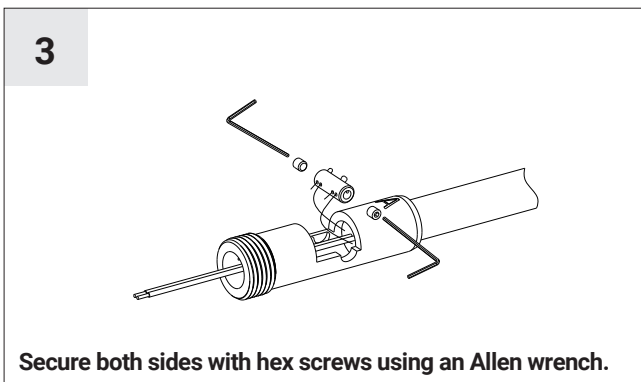
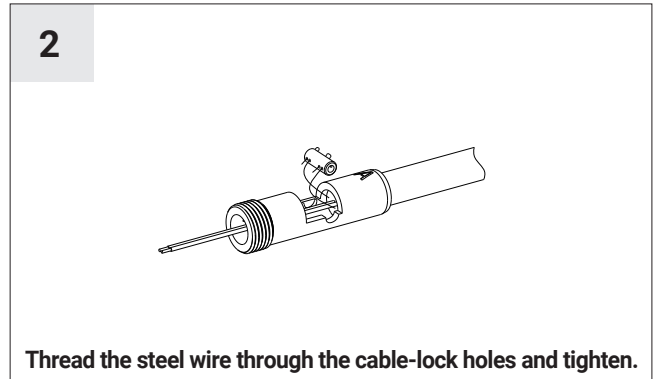
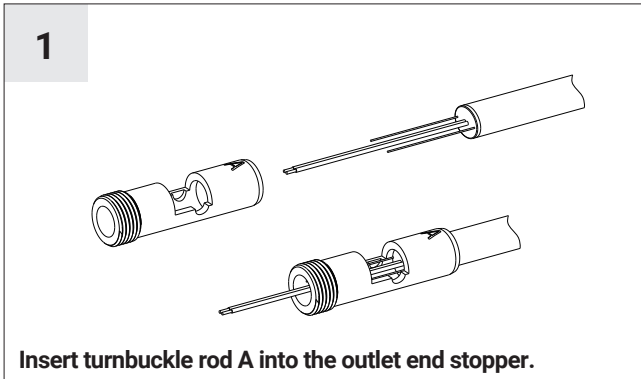
It is recommended to install the A-end canopy first, followed by the B-end.

**Base B Assembly**

					
Canopy	Turnbuckle sleeve	Turnbuckle	Cover	Cable lock	Hex screws
					
Flat head screws	Hex screws	Self-tapping screws	Plastic anchors	Rubber plugs	

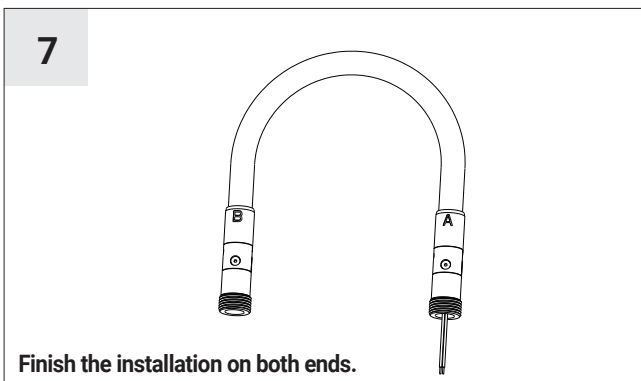
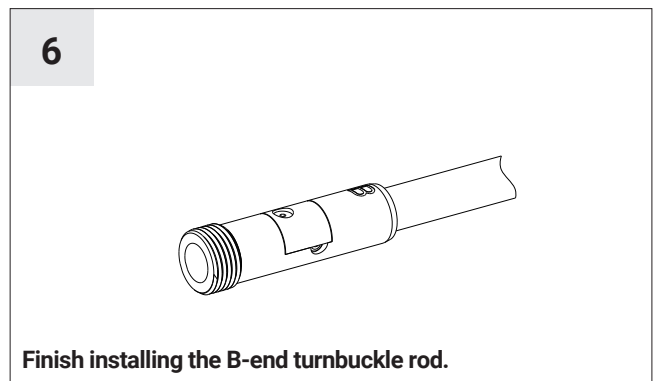
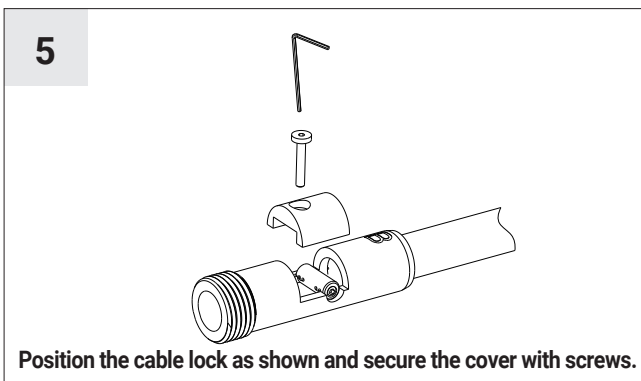
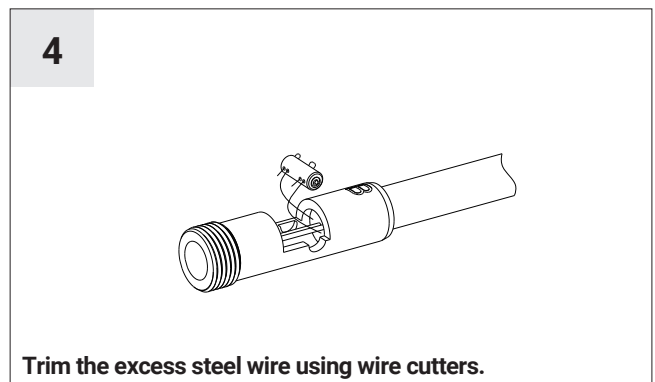
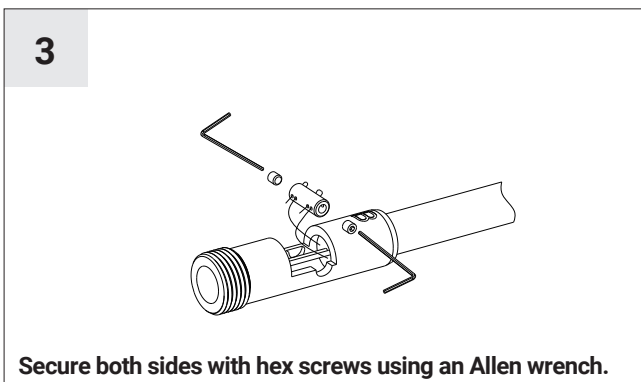
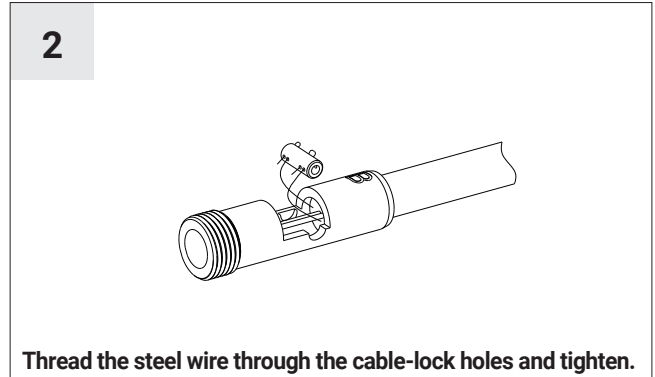
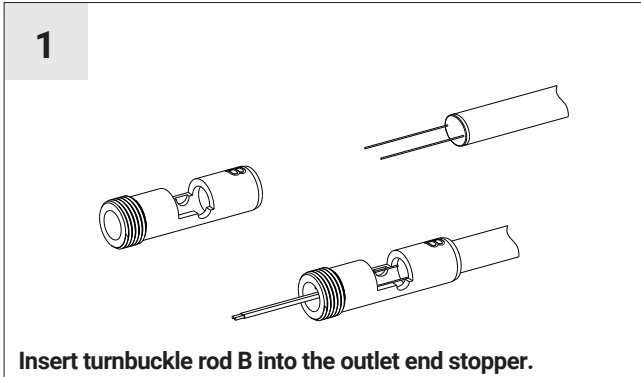
**NOTE:** The single-outlet canopy is compatible with a standard 4" square J-box. Larger multi-outlet canopies cannot be directly secured to the J-box.

**A-End Assembly** (threaded end cap)



**This step is required when trimming the silicone flex neon on-site. For detailed cutting instructions, please refer to the video on our website.**

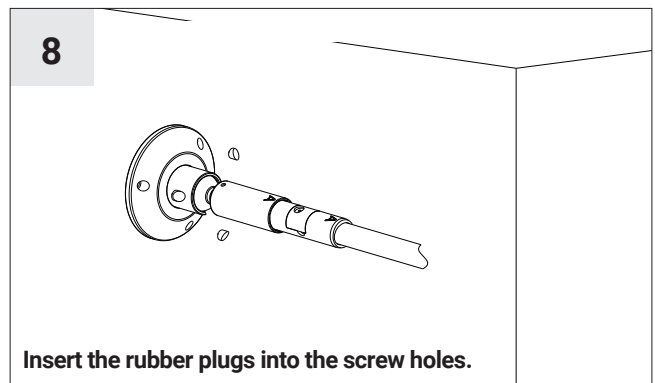
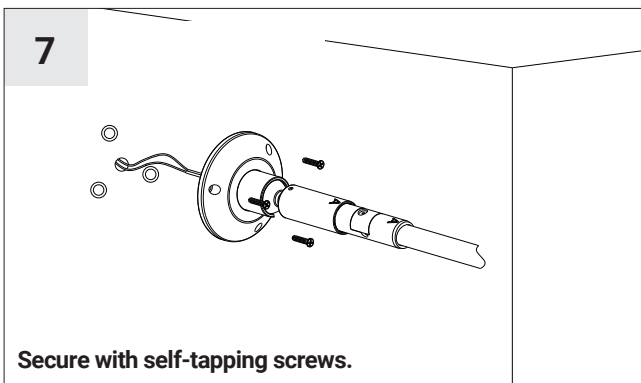
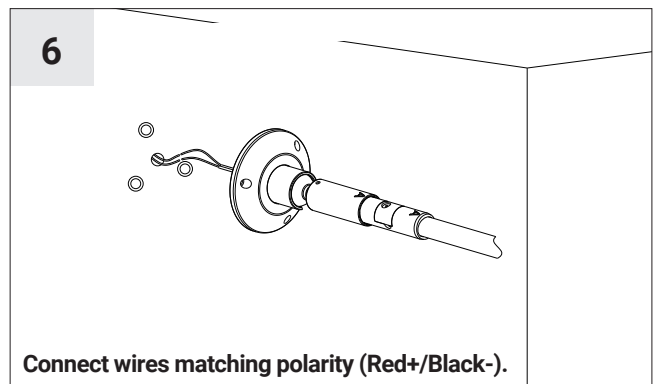
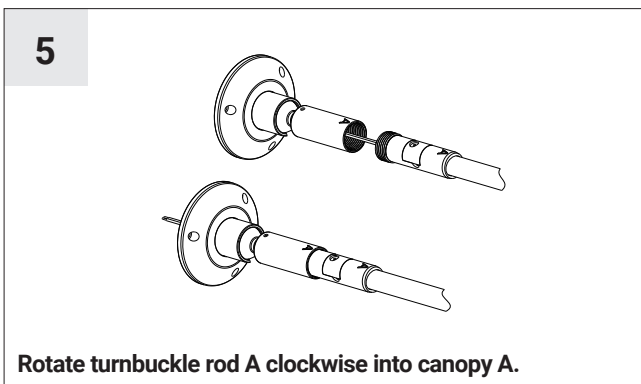
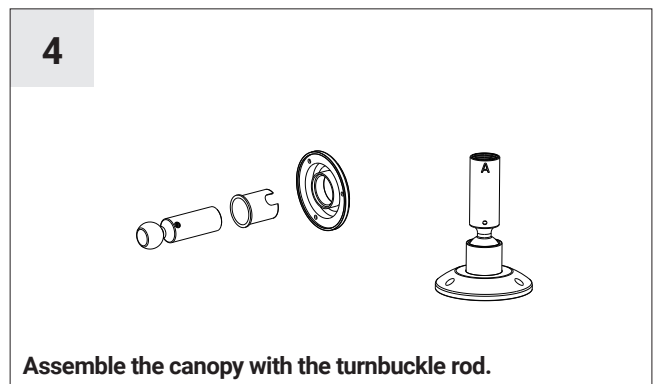
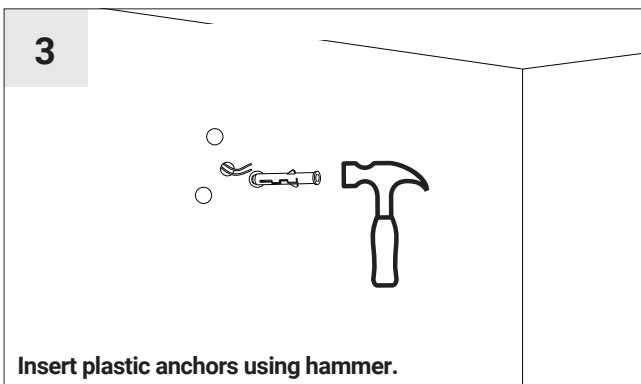
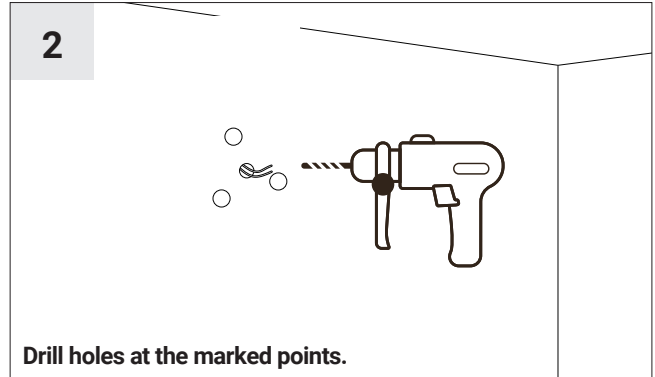
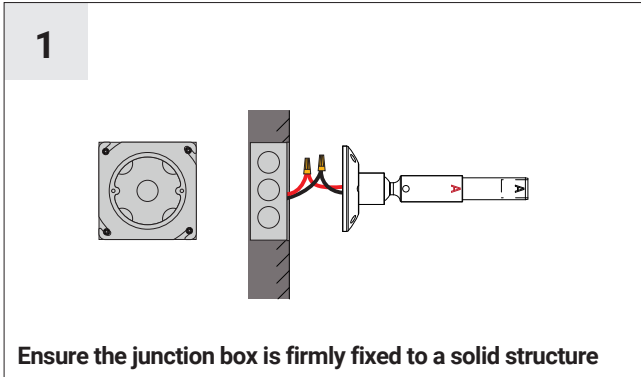
**B-End Assembly** (threaded end cap)



This step is required when trimming the silicone flex neon on-site. For detailed cutting instructions, please refer to the video on our website.

**A-Canopy Installation**

It is recommended to install the A-end canopy first, followed by the B-end.



**NOTE:** The single-outlet canopy is compatible with a standard 4" square J-box. Larger multi-outlet canopies cannot be directly secured to the J-box.

**B-Canopy Installation**

