



**FEATURES**

The LB-7000G-RGBW-DMX Pixel Strip LED delivers dynamic and vibrant lighting through individually addressable LED pixels. DMX protocol support enables precise control of these LEDs and allows for the creation of intricate lighting designs that can elevate chromatic landscape, facade, interior, stage or theatrical lighting. Best compatible with the Elite Lighting controller and decoder system.

The LB-7000G-RGBW-DMX LED Wall Washer Tape Light offers versatile RGBW color mixing (Red, Green, Blue, and White) that can enhance the quality of indoor and outdoor decorative and mood lighting; dual-bend flexibility enables easy illumination of flat, curved, and complex surfaces. Adjustable beam angles of 25°, 25°x50°, and 45°x30° cater to diverse lighting needs, and advanced precision optics help deliver focused and intense beams of light for uniform and controlled illumination.

**Outdoor, Wet Location (IP67)**

**Optics: 25°, 25°x50°, 45°x30°**

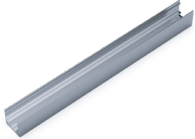
**Top Bend and Side Bend**

**Warranty: 3-year warranty for parts and components (labor not included).**

Color	7.6 W/ft	lm/W
3000K	106 lm/ft	37 lm/W
Red	61 lm/ft	
Green	122 lm/ft	
Blue	24 lm/ft	
RGBW	287 lm/ft	

**MOUNTING TRACKS & WIRING ACCESSORIES** (The tape light comes with a 12-inch standard length female barrel connector, with an anti-wicking ferrule attached to one side)

**ACC-CH-LB7000G-AL**



Aluminum Channel / 4ft  
Includes 2 rotatable brackets.

**ACC-RBR-LB7000G-AL**



Rotatable Bracket

**ACC-BR-LB7000G-AL**



Aluminum Bracket

**WL-BCF-5P-WHT-G**



Female Barrel Connector with Anti-Wicking ferrule  
12" Length

**WL-BCM-5P-WHT-G**

1 Piece included



Male Barrel Connector  
72" Length

**LB-7000G-WW-EC**

Silicone end cap



**LB-7000G-WW-EC-PF**

Silicone power bottom-feed end cap



**LB-7000G-WW-EC-TF**

Silicone power tail-feed end cap

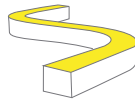


**TECHNICAL DETAILS**

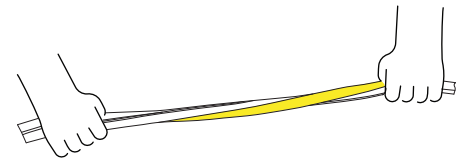
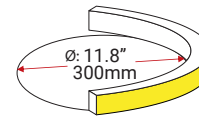
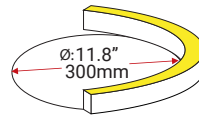
Power	7.6 W/ft
Voltage	24V
CRI	90+
IP	IP67
LED Qty	7/ft
Max Run(ft)	16 ft
Cutting Length	Every 9.84" (field-cuttable)
Dimensions	W1.18 x H0.91"
Working Temp.	-20°C to 45°C / -4°F to 113°F

**BENDING RADIUS**

Side Bend



Top Bend



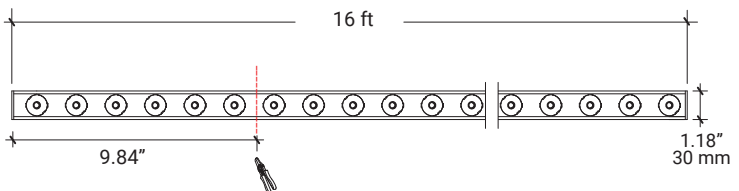
**Minimum twist angle is 90° per 1000mm [39.4in.]**

**DIMENSIONS**

Side-View



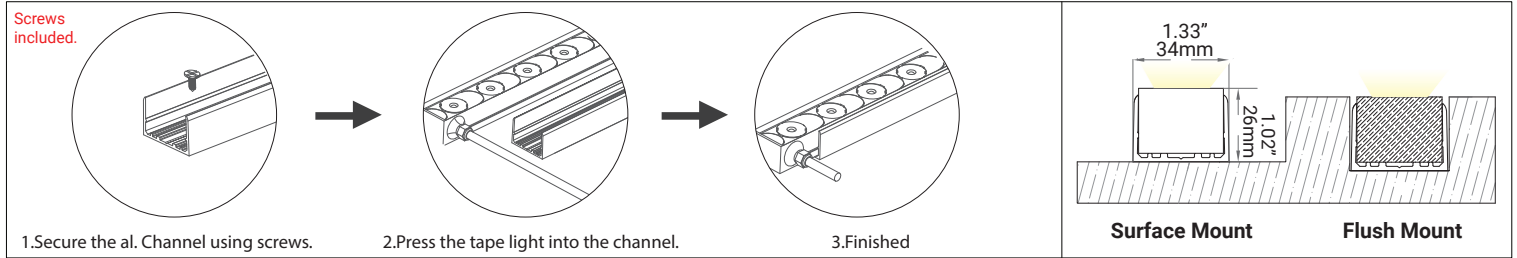
Top-View



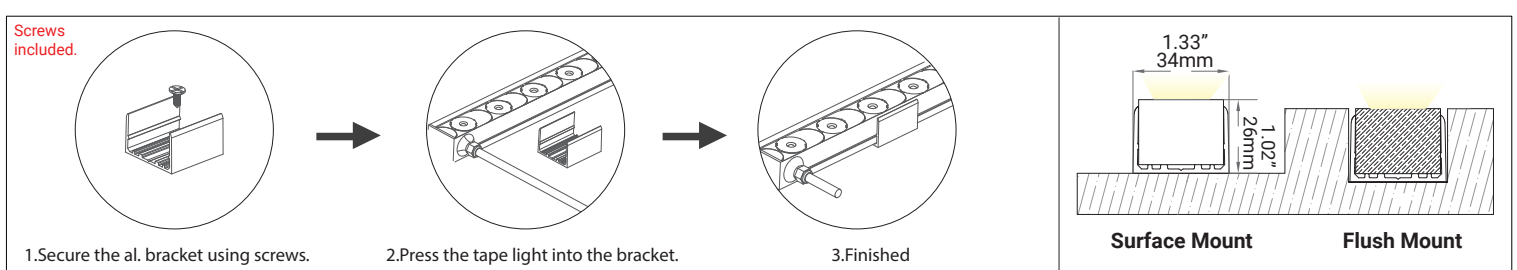
**Cutting length: every 9.84" (6 LEDs per cut).**

### Aluminum Channel / ACC-CH-LB7000G-AL

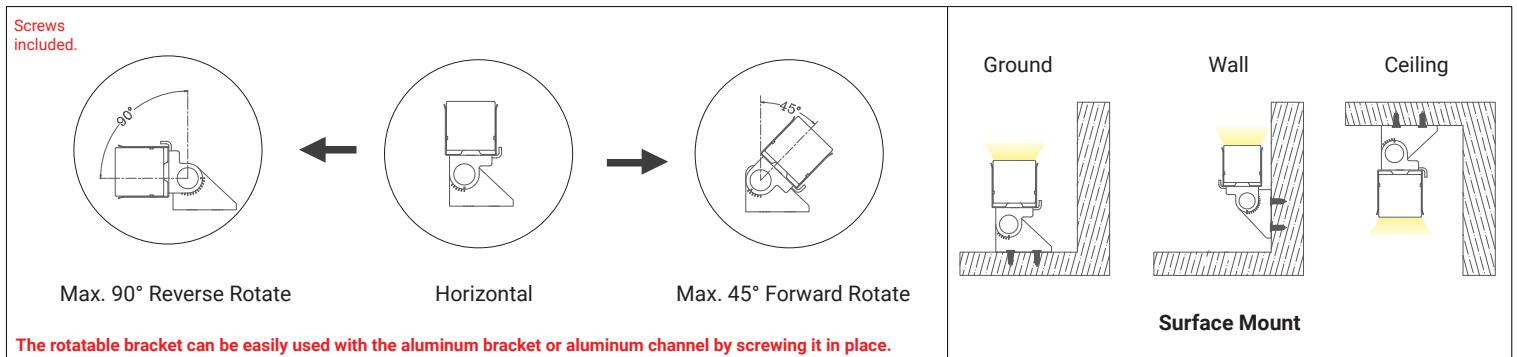
Includes 2 rotatable brackets.



### Aluminum Bracket / ACC-BR-LB7000G-AL



### Rotatable Bracket / ACC-RBR-LB7000G-AL



## ORDERING SELECTION

Example: LB-7000G-**RGBW**-DMX-7.6W-16F-30K-25D-24V

LB-7000G- <b>RGBW</b> -DMX						
----------------------------	--	--	--	--	--	--

SERIES	WATTAGE	LENGTH	CCT	OPTICS	VOLTAGE	ACCESSORIES
LB-7000G- <b>RGBW</b> -DMX	7.6W - 7.6W/ft	16F - 16ft/Roll CUS_ - Custom <small>(Cutting length<sup>1</sup> every 9.84")</small>	30K - 3000K	25D - 25° 45D - 45°x30° 50D - 25°x50°	24V - 24V	<b>ACC-CH-LB7000G-AL</b> - Aluminum Channel 4ft length <b>ACC-RBR-LB7000G-AL</b> - Rotatable Aluminum Bracket <b>ACC-BR-LB7000G-AL</b> - Aluminum Bracket <b>WL-BCF-5P-WHT-G</b> - Female Barrel Connector <b>WL-BCM-5P-WHT-G</b> - Male Barrel Connector <b>LB-7000G-WW-EC</b> - Silicone end cap <b>LB-7000G-WW-EC-PF</b> - Silicone power bottom-feed end cap <b>LB-7000G-WW-EC-TF</b> - Silicone power tail-feed end cap <b>KIT-ACC-LB7000G-<b>RGBW</b>-DMX</b> - Accessory Kit <b>(INCLUDED)</b> <small>1 Male Barrel Connector</small>



DRIVER

Refer to the next pages for available options.

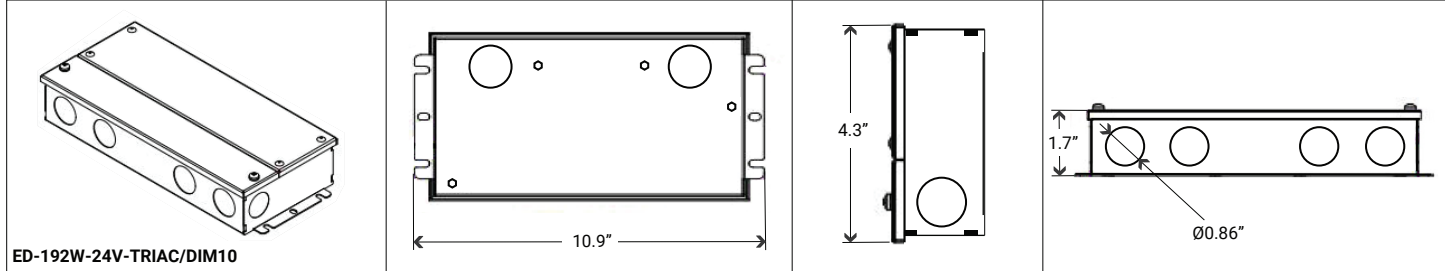
**1. When cutting in the field, wiring accessories must be sealed with UV glue and cured using UV light to achieve an IP65 rating. For optimal results, we recommend customizing the lengths at the factory, as cutting the tape light in the field may damage the IP67-rated protection.**

**Triac-Phase Cut/Triac ELV/0-10V/1-10V PWM/Potentiometer (5 in 1) Dimmable**

**PN: ED-192W-24V-TRIAC/DIM10**

Model	Input Voltage	Output Voltage	Wattage	Max. Output current	Frequency	Location	Certificate
ED-192W-24V-TRIAC/DIM10	100-277VAC	24V	192W	Multi 2X96W	50/60Hz	Dry, Damp, and Wet locations	UL, cUL, FCC, Class 2, RoHS

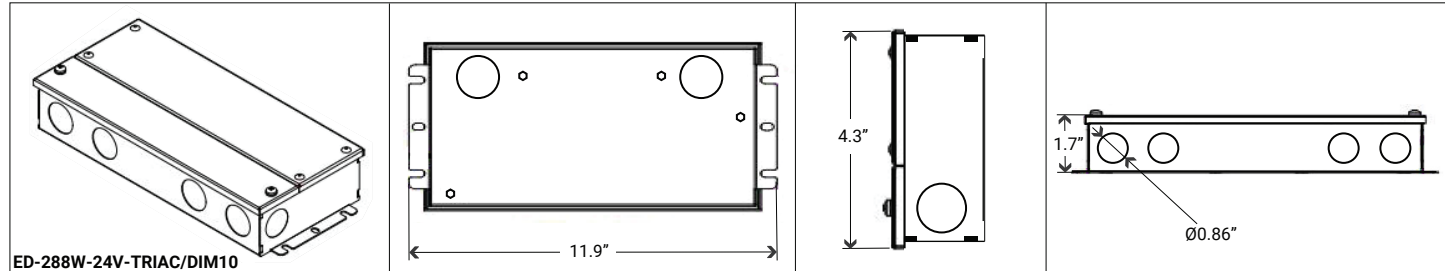
**Dimensions**



**PN: ED-288W-24V-TRIAC/DIM10**

Model	Input Voltage	Output Voltage	Wattage	Max. Output current	Frequency	Location	Certificate
ED-288W-24V-TRIAC/DIM10	100-277VAC	24V	288W	Multi 3X96W	50/60Hz	Dry, Damp, and Wet locations	UL, cUL, FCC, Class 2, RoHS

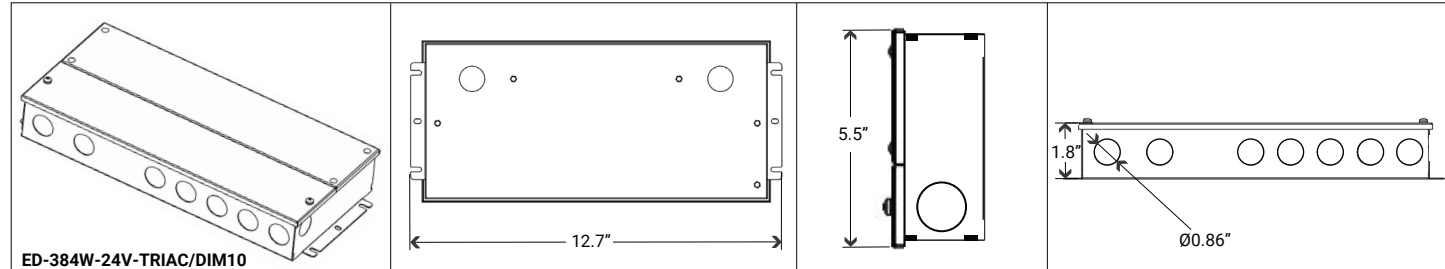
**Dimensions**



**PN: ED-384W-24V-TRIAC/DIM10**

Model	Input Voltage	Output Voltage	Wattage	Max. Output current	Frequency	Location	Certificate
ED-384W-24V-TRIAC/DIM10	110-277VAC	24V	384W	Multi 4X96W	50/60Hz	Dry, Damp, and Wet locations	UL, cUL, Class 2, RoHS

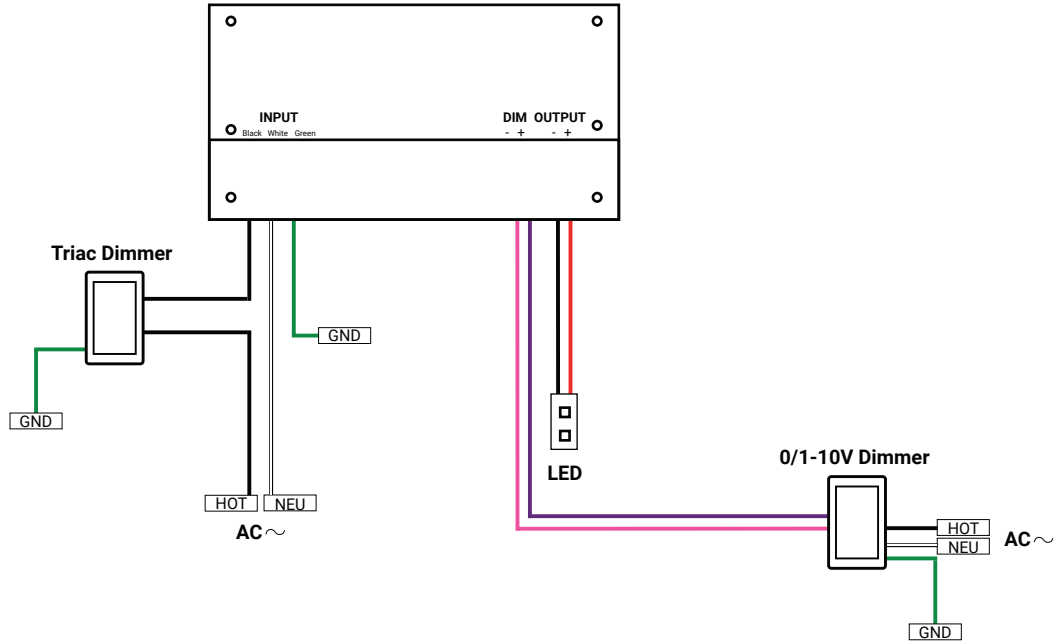
**Dimensions**



## Dimming Operation and Wiring Diagram

### TRIAC & 0/1 - 10V

When using two dimming methods at the same time, make sure the LED light is set to maximum output first. The brightness can then be adjusted with the second dimming method.



### Single Dimming Method: TRIAC/Phase-Cut Dimming

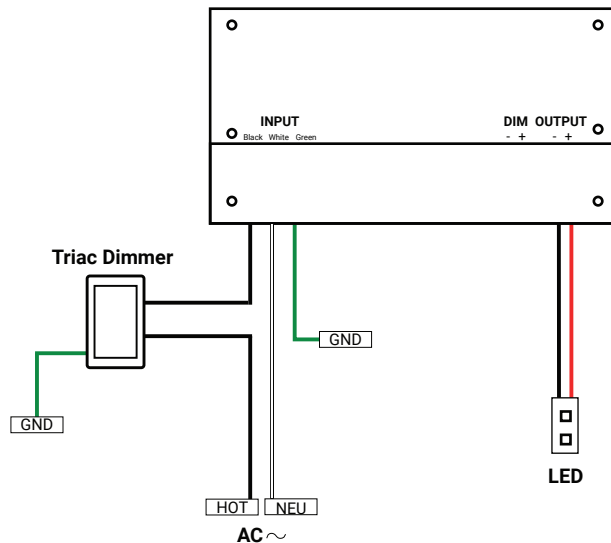
1-The Pulse-Width Modulation (PWM) of the output voltage can be adjusted through the input terminal of the AC phase line (L) by connecting a phase/TRIAC dimmer or lighting control system.

2-Works with forward-phase (MLV) and reverse-phase (ELV) TRIAC dimmers or lighting systems.

3-Minimum loading is approximately 10%.

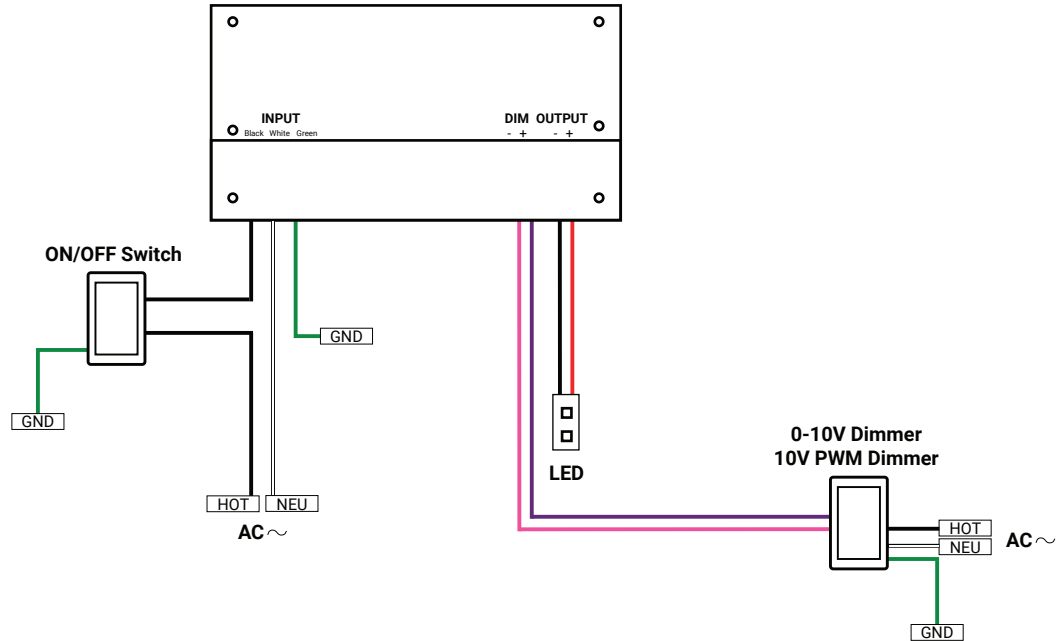
4-Use dimmers with a power rating at least 1.5 times the output power of the driver.

### TRIAC

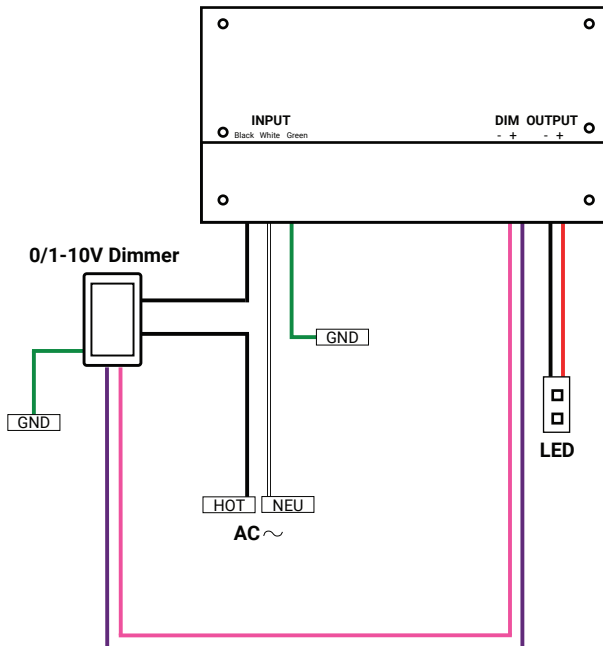


**Using one Dimming Method: 0-10V / 1-10V / 10V PWM / Potentiometer Dimming**

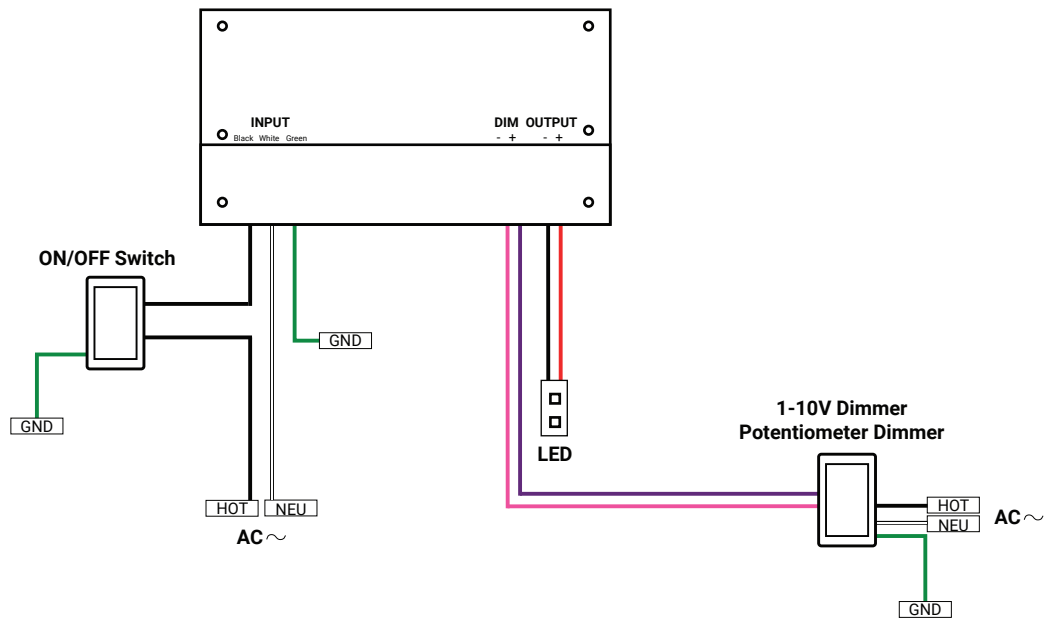
**0-10V / 10V PWM**



**0/1 - 10V**



**1-10V / Potentiometer**



**WARNING**

- This driver must be installed by a qualified professional.
- Provide adequate ventilation around the driver to ensure proper heat dissipation.
- Confirm all wiring connections are correct before testing to prevent damage to the light or power supply.
- If the driver is not operating correctly, do not attempt to repair it yourself.