



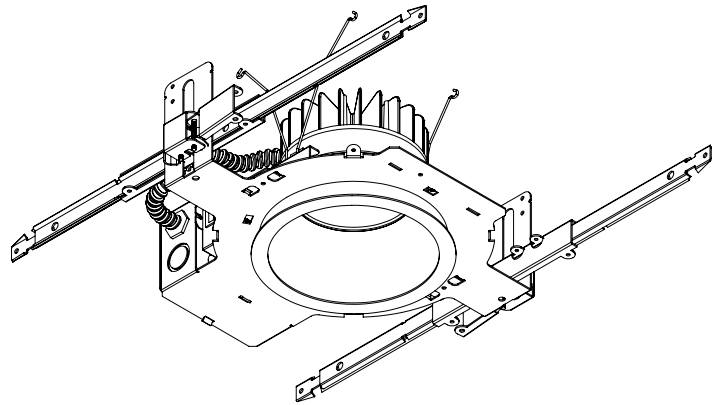
SAFETY INSTRUCTIONS

1. Do not use outdoors. 2. Equipment should be mounted securely in locations and at heights where it will not be readily subjected to tampering by unauthorized personnel. 3. Do not mount near gas or electric heaters. 4. Cap unused wires with enclosed wire nuts or other approved method. 5. Do not use this equipment for anything other than its intended use. 6. The use of accessory equipment not recommended by the manufacturer will void product listing and warranty and may cause an unsafe condition. 7. Use caution when servicing batteries. 8. Any service on this equipment should be performed by qualified personnel only. 9. Make sure wire terminations are secure and leads are properly tucked in appropriate wire channels. **CONSULT A QUALIFIED ELECTRICIAN BEFORE INSTALLING**

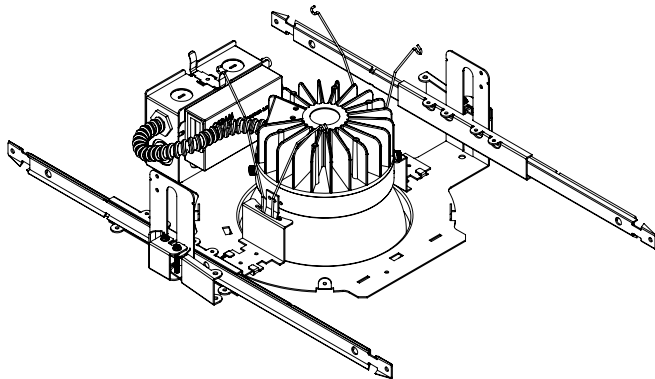


Caution:

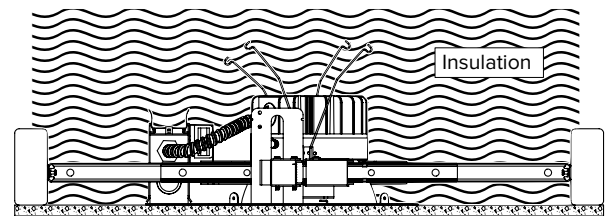
Disconnect AC power before servicing and installation. All electrical connections must be in accordance with NEC/CEC or your local code.



LED Driver Mounting

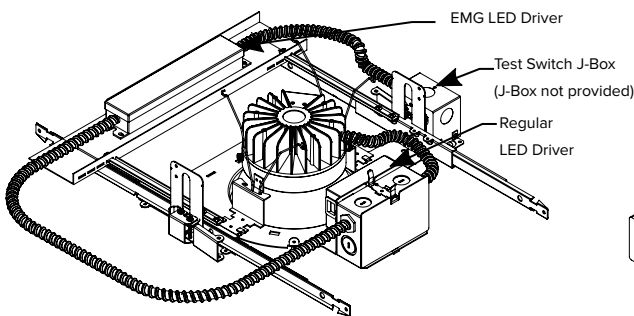


HH6IC-LED

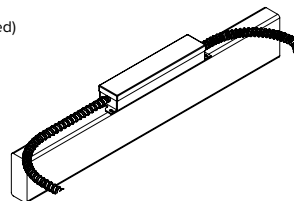


*Insulation Contact is good up to 2000L

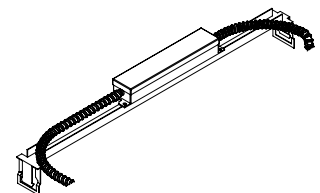
Emergency Driver Mounting



Standard Emergency Mounting



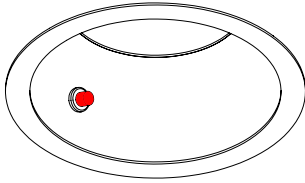
Stud Mounting



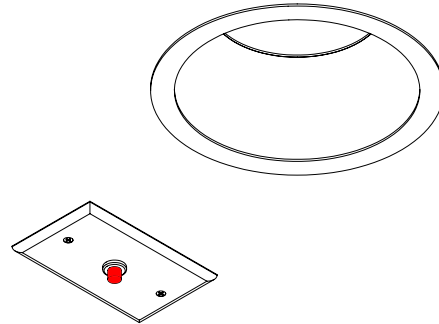
T-Bar Box Hanger

Emergency Test Switch

Integral Test Switch

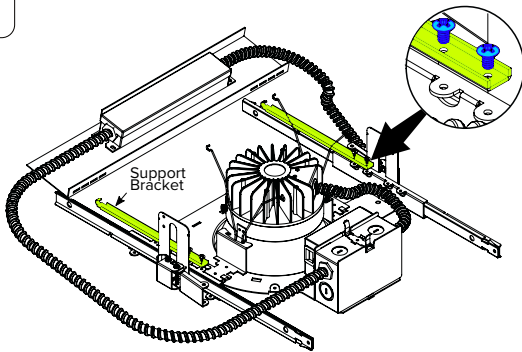


Remote Mount Test Switch



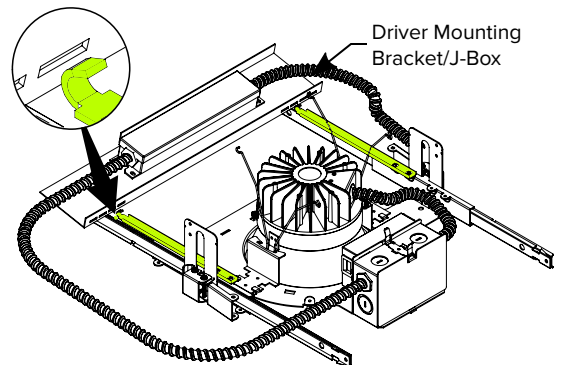
Emergency LED Driver Bracket Mounting

1



Screw in the Support Brackets

2

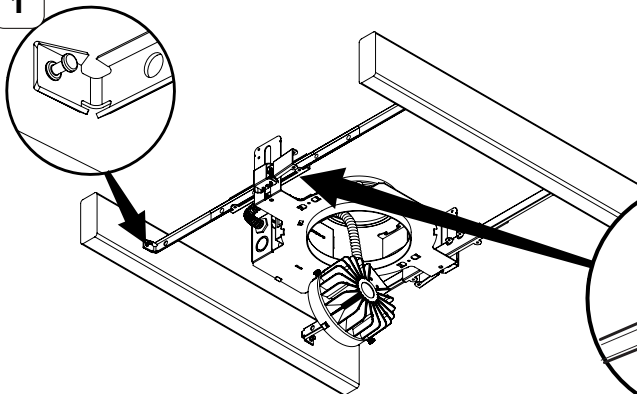


Mount the Driver Mounting Bracket/J-Box into the Support Brackets

House Framing Mounting

Joist Mounting

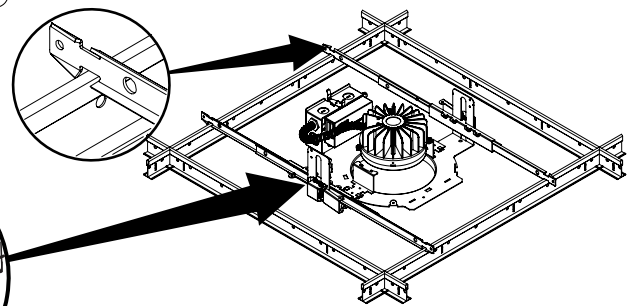
1



Position housing and then secure frame to structure. Adjust it if needed using the self-adjustable locks.

T-Bar Mounting

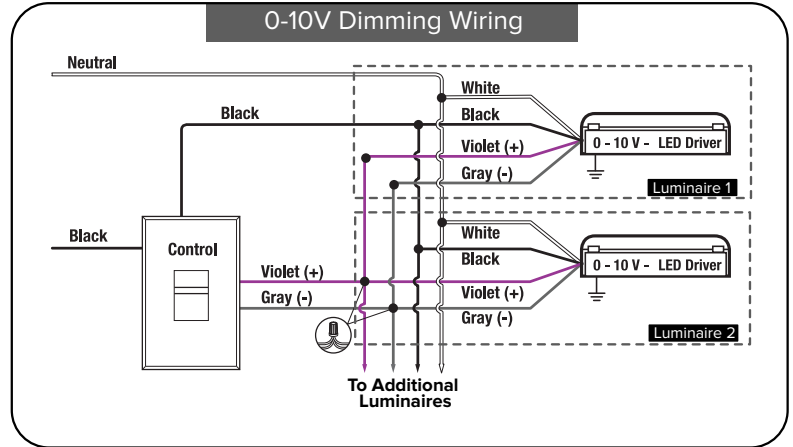
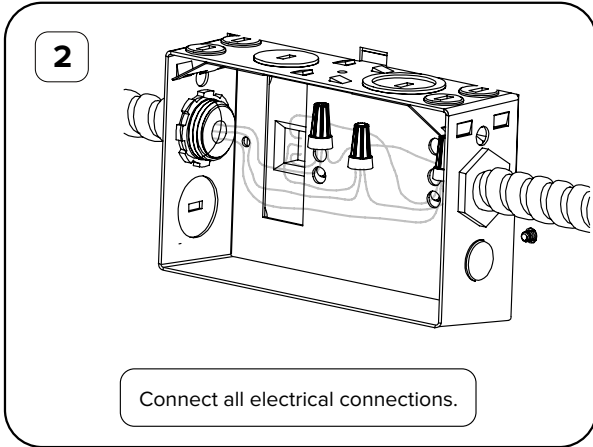
1



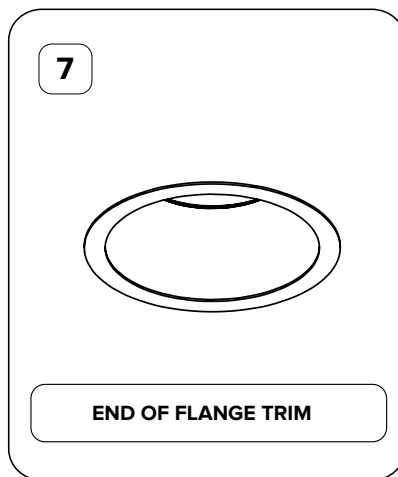
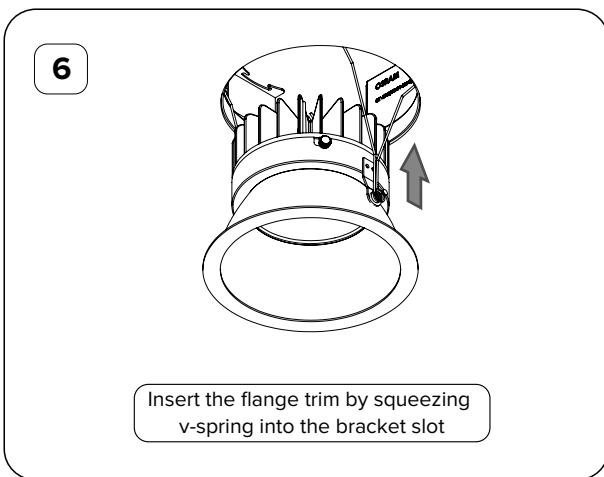
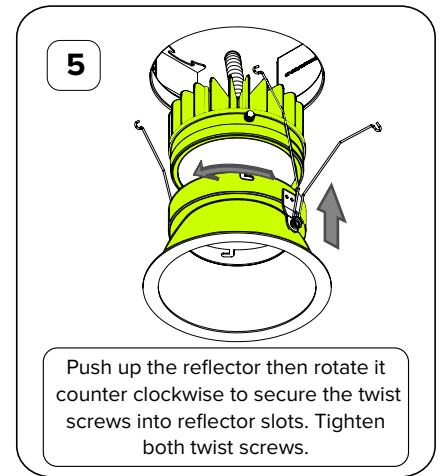
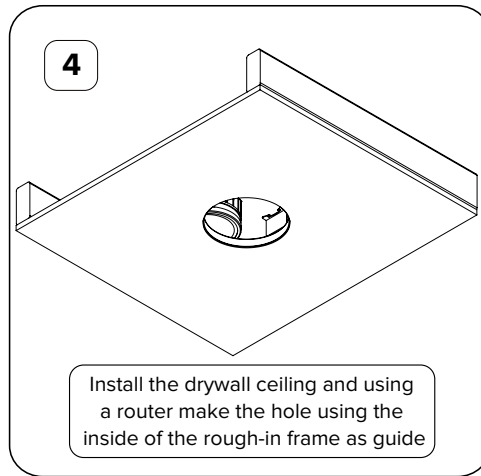
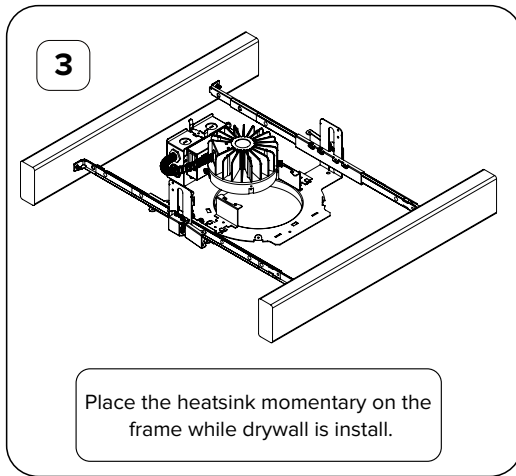
Self Adjustable Locks

Position housing and then secure frame to structure. Adjust it if needed using the self-adjustable locks.

Wiring Diagram



Flange Trim Installation



Flangeless Trim Installation (Continuation)

3

Place the heatsink momentarily on the frame while drywall is install.

4

Install the drywall ceiling and using a router make the hole using the inside of the rough-in frame as guide

5

Insert the mesh ring. Friction blades will hold it in place.

6

Insert Cover

Apply plaster or spackle over mesh ring. Once dry sand surface for a finished look.

7

Insert Cover

Apply plaster or spackle over mesh ring. Once dry sand surface for a finished look.

8

Push up the reflector then rotate it counter clockwise to secure the twist screws into reflector slots. Tighten both twist screws.

9

Insert the flangeless trim by squeezing v-spring into the bracket slot

10

END OF FLANGELESS TRIM



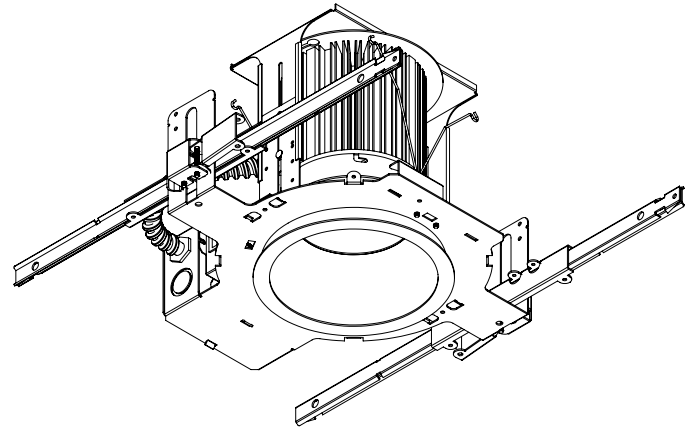
SAFETY INSTRUCTIONS

1. Do not use outdoors. 2. Equipment should be mounted securely in locations and at heights where it will not be readily subjected to tampering by unauthorized personnel. 3. Do not mount near gas or electric heaters. 4. Cap unused wires with enclosed wire nuts or other approved method. 5. Do not use this equipment for anything other than its intended use. 6. The use of accessory equipment not recommended by the manufacturer will void product listing and warranty and may cause an unsafe condition. 7. Use caution when servicing batteries. 8. Any service on this equipment should be performed by qualified personnel only. 9. Make sure wire terminations are secure and leads are properly tucked in appropriate wire channels. **CONSULT A QUALIFIED ELECTRICIAN BEFORE INSTALLING**

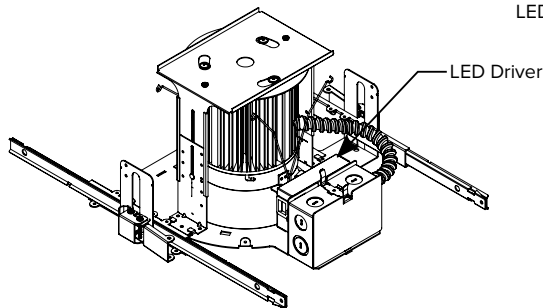


Caution:

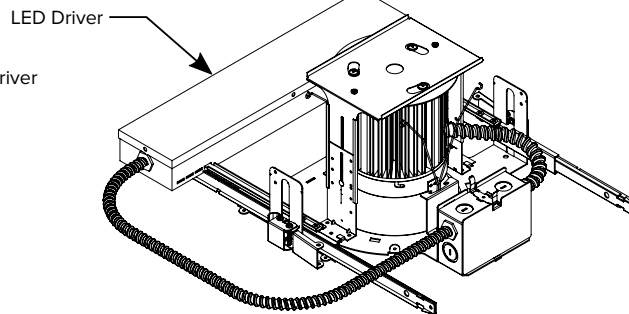
Disconnect AC power before servicing and installation. All electrical connections must be in accordance with NEC/CEC or your local code.



LED Driver Mounting

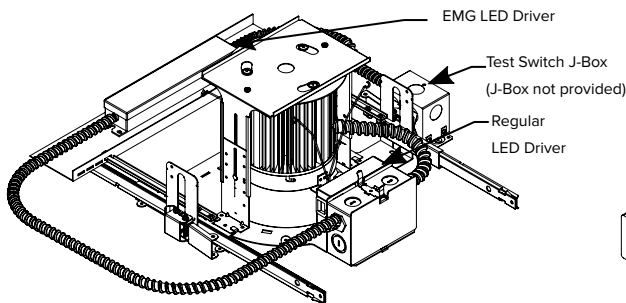


HH6-LED-6000L

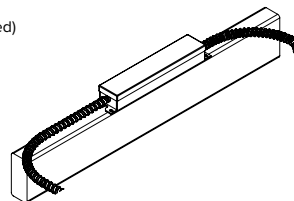


HH6-LED-8000L

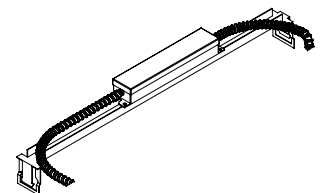
Emergency Driver Mounting



Standard Emergency Mounting



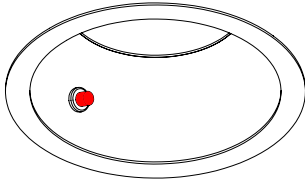
Stud Mounting



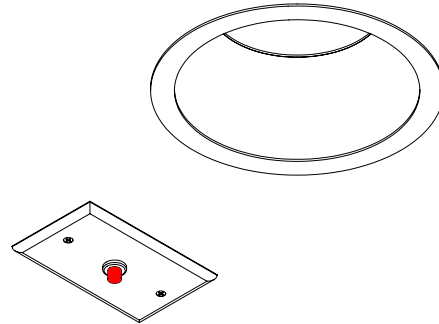
T-Bar Box Hanger

Emergency Test Switch

Integral Test Switch

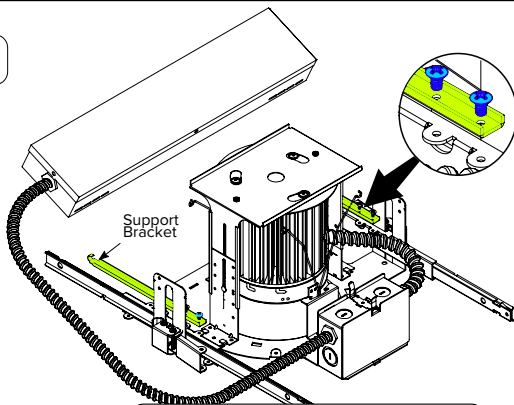


Remote Mount Test Switch



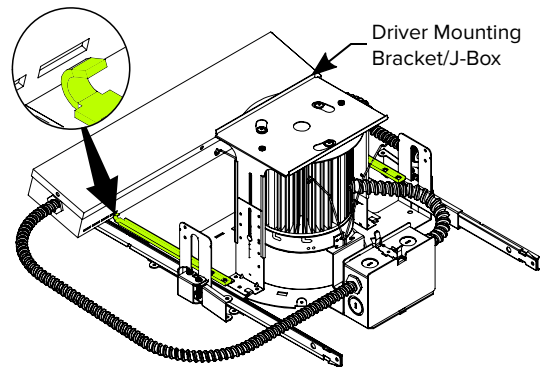
Emergency Or Regular LED Driver Bracket Mounting

1



Screw in the Support Brackets

2



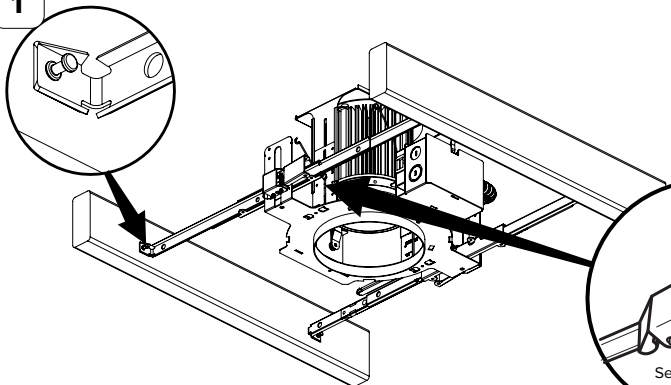
Driver Mounting Bracket/J-Box

Mount the Driver Mounting Bracket/J-Box into the Support Brackets

House Framing Mounting

Joist Mounting

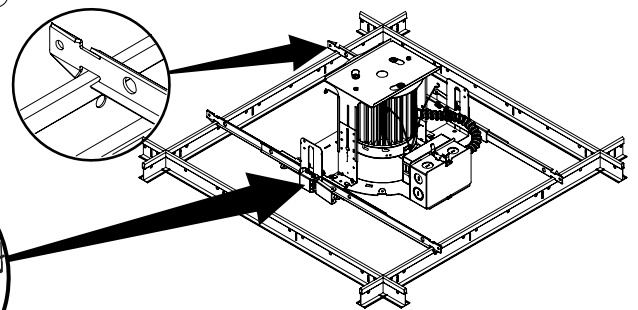
1



Position housing and then secure frame to structure. Adjust it if needed using the self-adjustable locks.

T-Bar Mounting

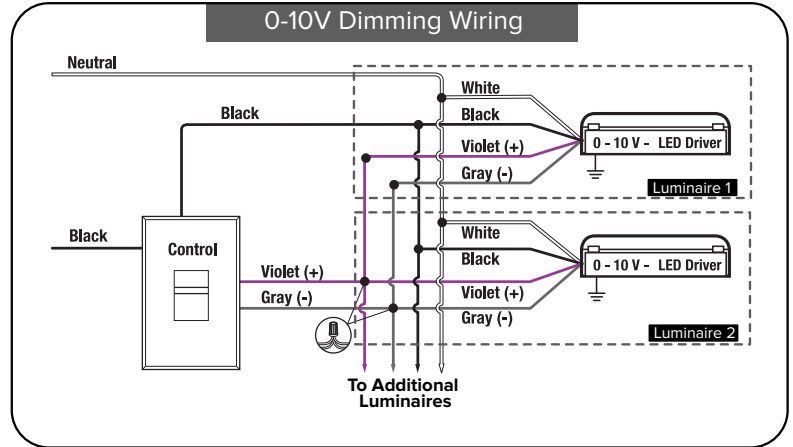
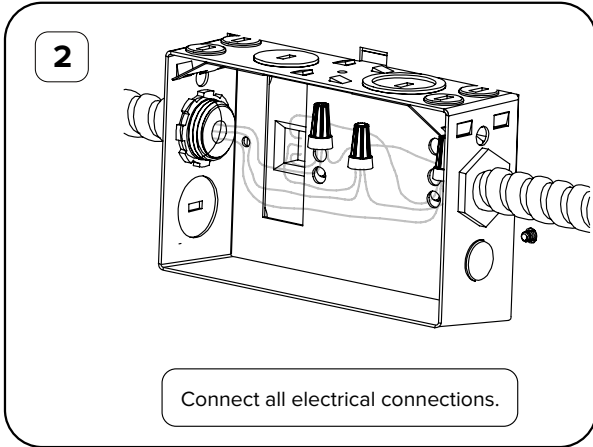
1



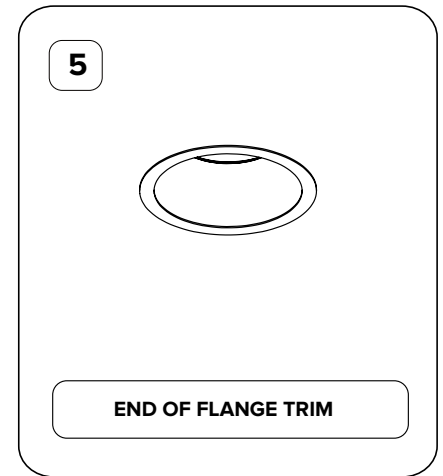
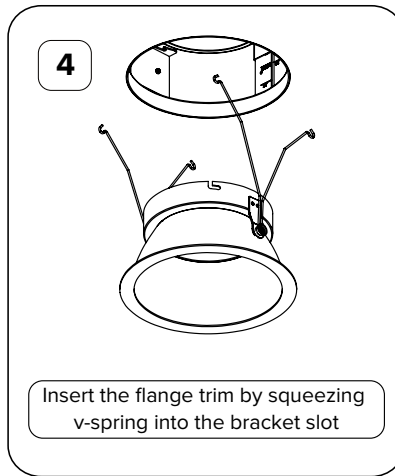
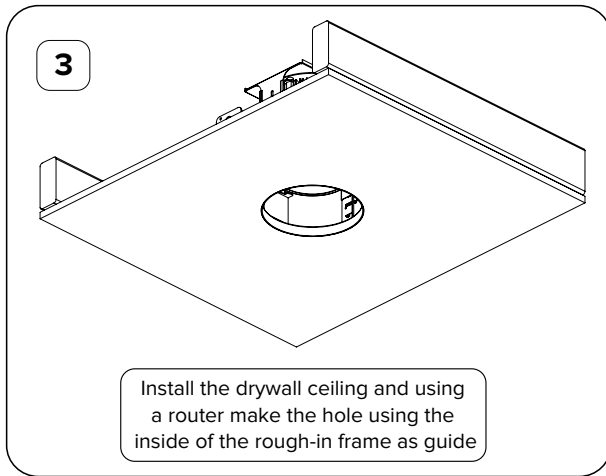
Position housing and then secure frame to structure. Adjust it if needed using the self-adjustable locks.

Self-Adjustable Locks

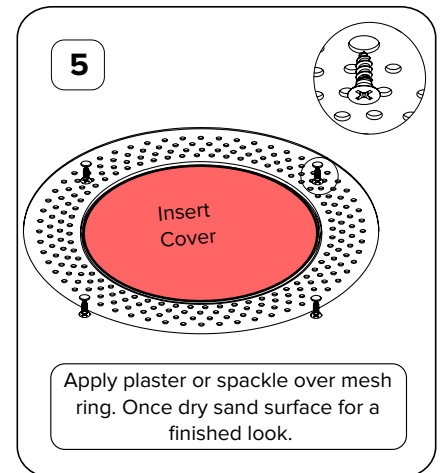
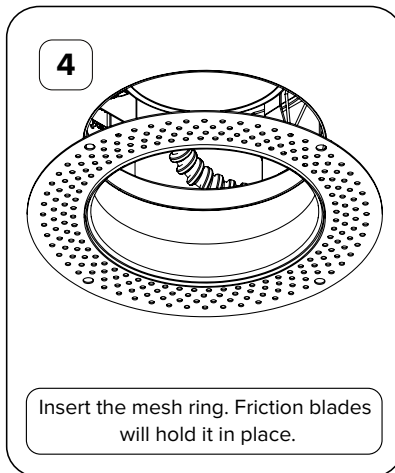
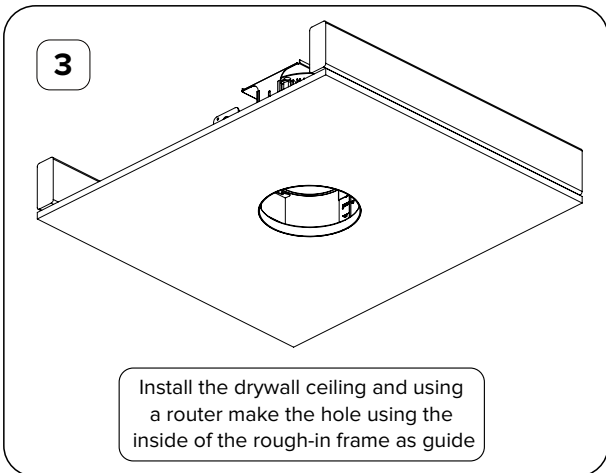
Wiring Diagram



Flange Trim Installation

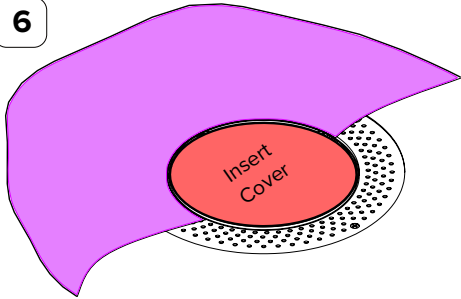


Flangeless Trim Installation



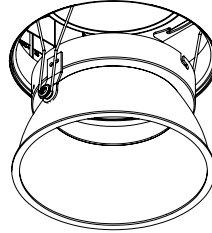
Flangeless Trim Installation (Continuation)

6



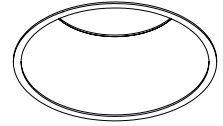
Apply plaster or spackle over mesh ring. Once dry sand surface for a finished look.

7



Insert the flangeless trim by squeezing v-spring into the bracket slot

8



END OF FLANGELESS TRIM