

INSTALLATION INSTRUCTIONS

RECESSED DOWNLIGHT FOR USE IN INSULATION

WARNING:

For safety, read and understand instructions completely before starting installation. Electricity should be turned off at the fuse or the circuit breaker box before installing the fixture. All electrical connections must be in accordance with N. E. C. or your local code.

INSTALLATION IN NEW CONSTRUCTION

Make sure no bare wire is exposed at anytime. Fixture is designed for installation where it may come with direct contact with the insulation. Fixture can be positioned at any point along the length of the Bar hanger. Bar hanger can be shortened to fit 12" framing.

STEP 1

Position fixture, and extend bar hangers to fit between joist (FIG. A). Bottom edge of the bar hangers should be level with the bottom of joist. Secure the bar hangers by hammering the special tabs (FIG. B).

STEP 2

To avoid fixture from any movements, fixture could be locked into place by tightening the screw placed on the frame and/or squeezing tabs into bar hanger (FIG. C).

INSTALLATION IN SUSPENDED CEILING

STEP 1

Locate the center of the proposed opening on your ceiling. Use the template provided and draw a circle then cut ceiling with a key hole saw or equivalent along circular line.

STEP 2

Carefully, place the ceiling tile in T-bar grid.

STEP 3

Place fixture over opening and rest the bar hanger over tops of T-bars (FIG. D).

STEP 4

To avoid fixture from any movements, fixture could be locked into place by tightening the screw placed on the frame and/or squeezing tabs into bar hanger (FIG. C).

ELECTRICAL CONNECTION

1. Provide electrical service, according to NEC and local electrical codes. Supply wire installation must be rated for at least 90°C.
2. Remove the junction box cover and the appropriate knock-out(s) to accommodate usage of proper electrical service (FIG. E).
3. Use proper size wire nuts (not included) to connect supply wires to wires, so all bare wires carrying current be covered completely. Connect hot wire-to-black wire, neutral-to-white wire and green to the bare wire inside the junction box.
4. Place all the wiring and connections inside the box and replace the junction box cover.
5. Connect the power connector of the trim to the housing. Push upward fully and pressure springs will hold trim in place (FIG. E).

CAUTION:
DISCONNECT POWER BEFORE CONNECTING TRIM TO HOUSING. FAIL TO DO SO MAY PERMANENTLY DAMAGE THE LED

Fixture is designed for installation where it may come in contact with insulation (Fig. A).

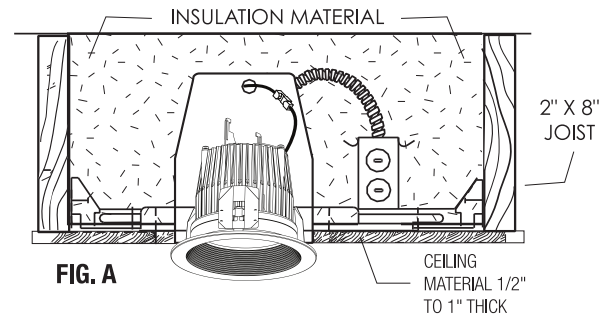


FIG. A

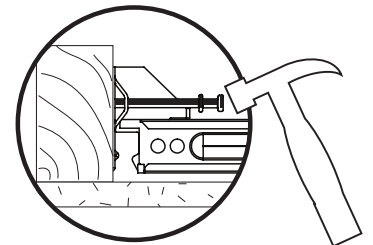


FIG. B

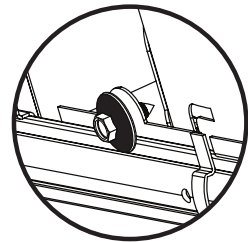


FIG. C

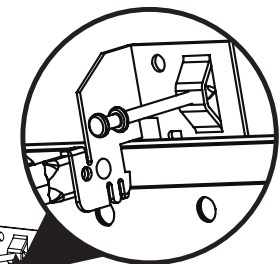


FIG. D

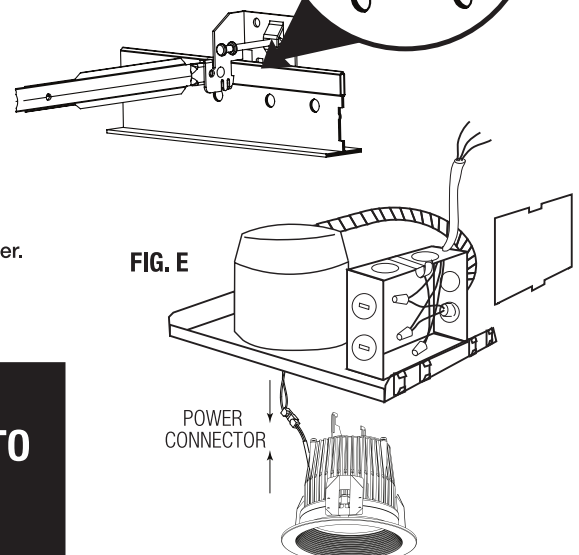


FIG. E