

FTL-ACC-03-BK

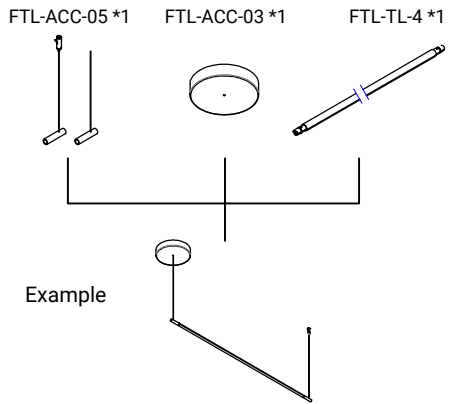
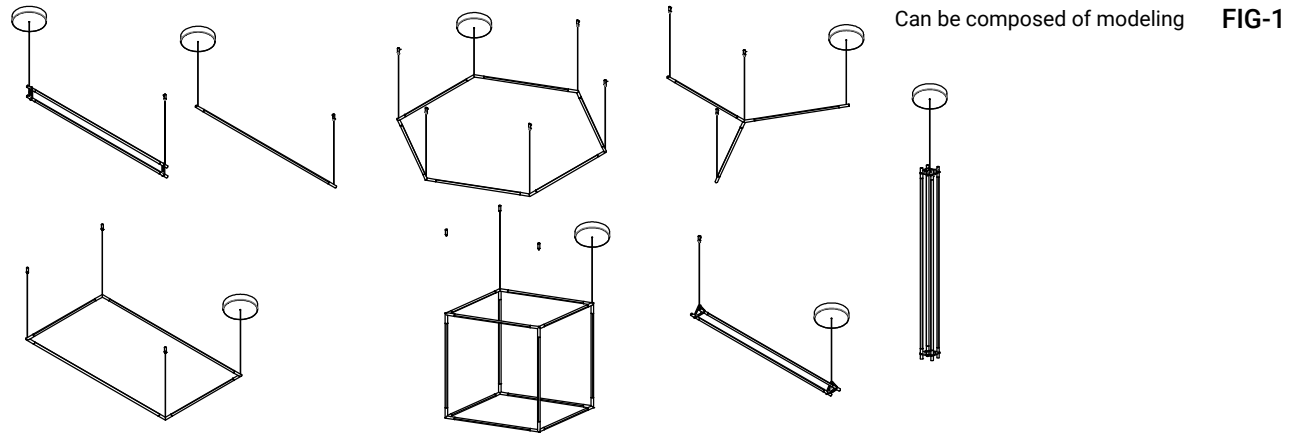
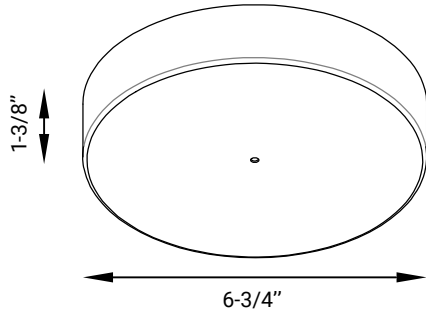
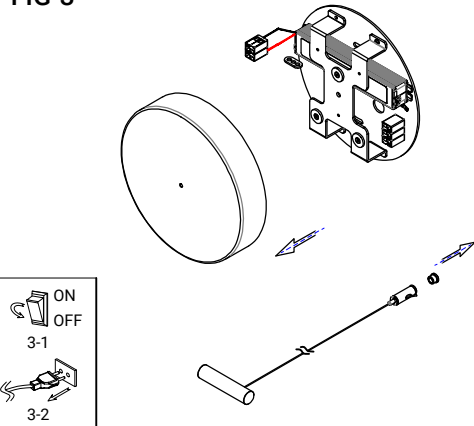


FIG-2

FIG-3



Thread the cable through the hole and then assemble the cable tie

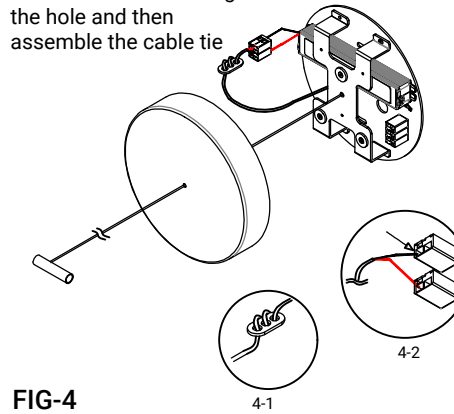


FIG-4

FIG-5

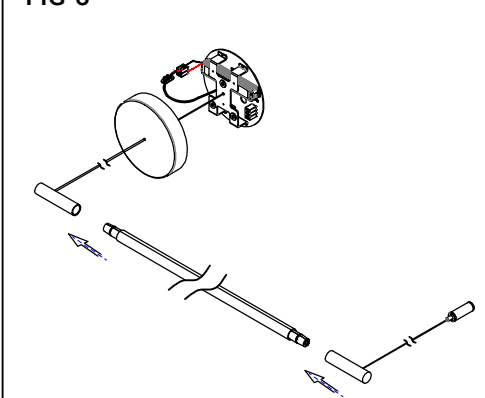


FIG-6

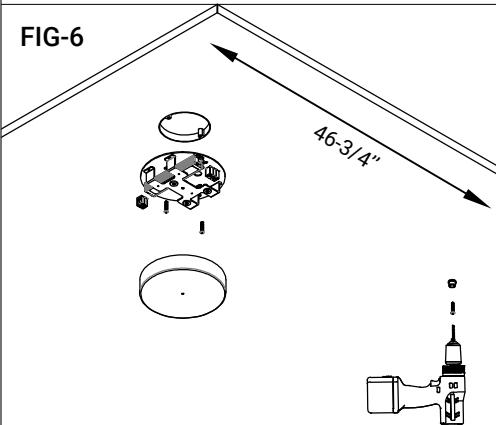


FIG-7

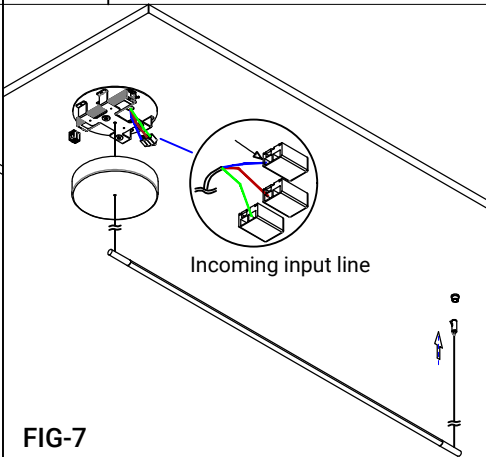


FIG-8

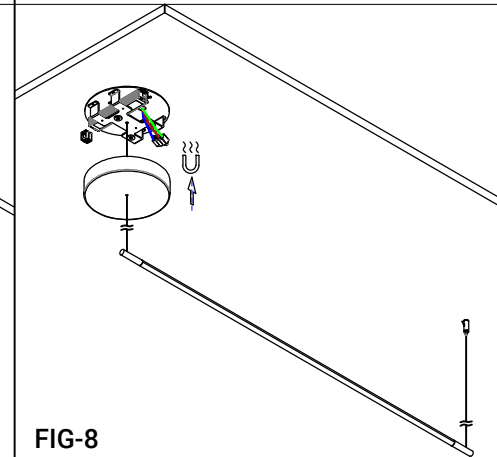
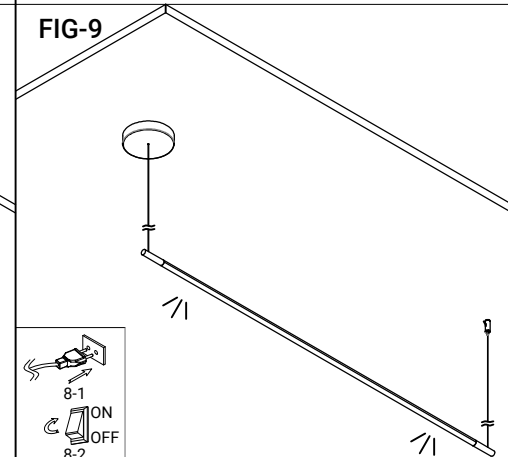


FIG-9



FTL-ACC-07-BK

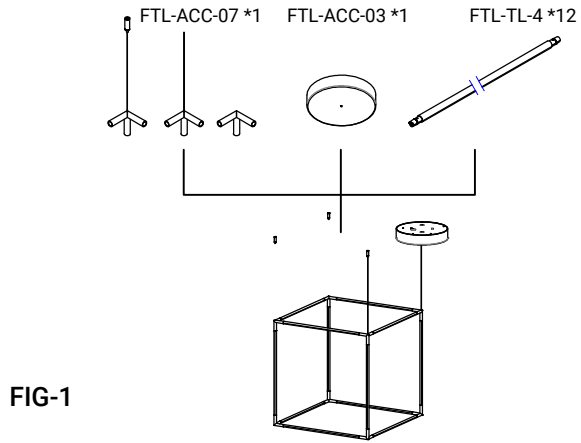
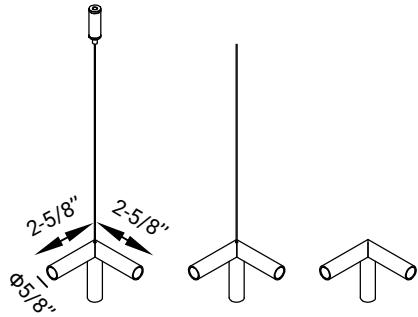


FIG-2

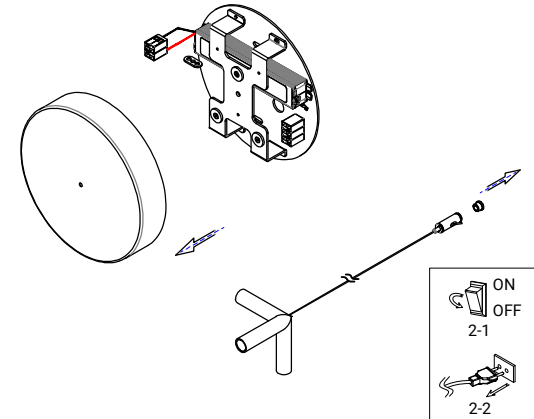


FIG-3 Thread the cable through the hole and then assemble the cable tie

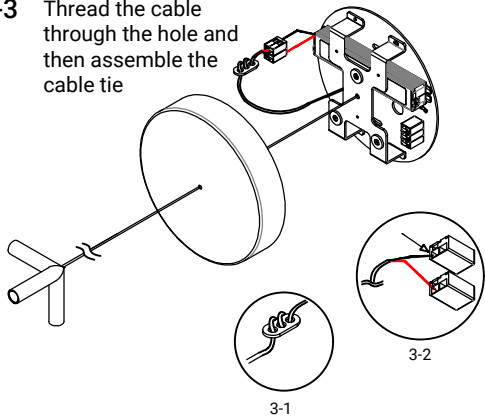


FIG-4

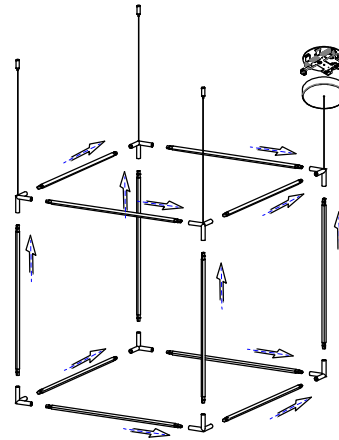


FIG-5

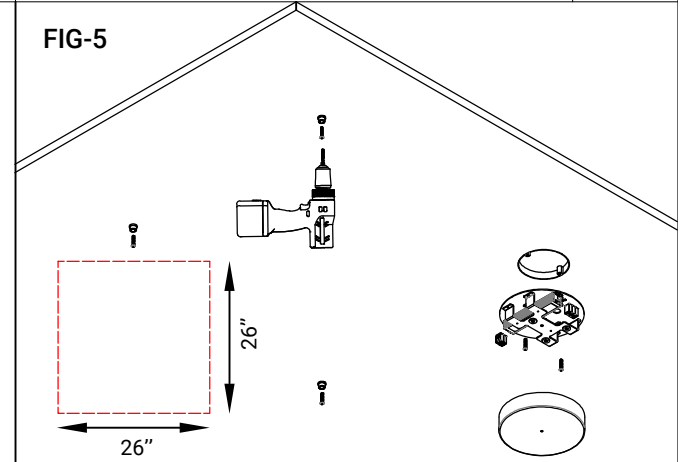


FIG-6

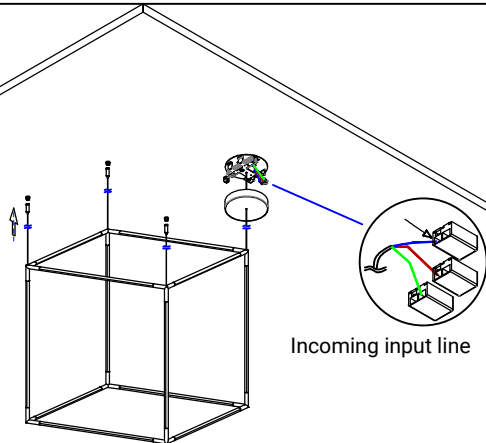


FIG-7

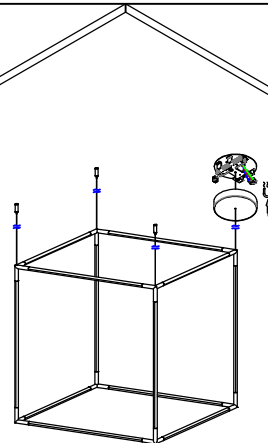
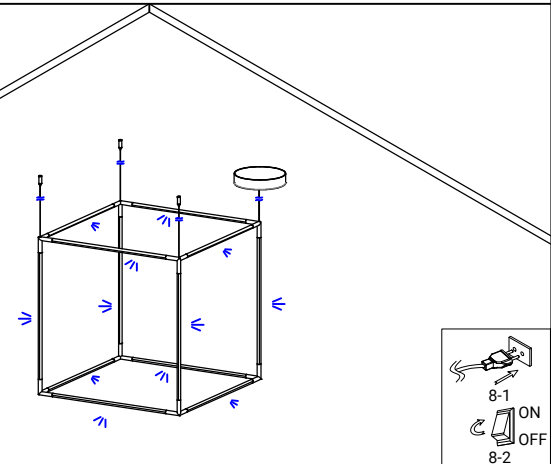
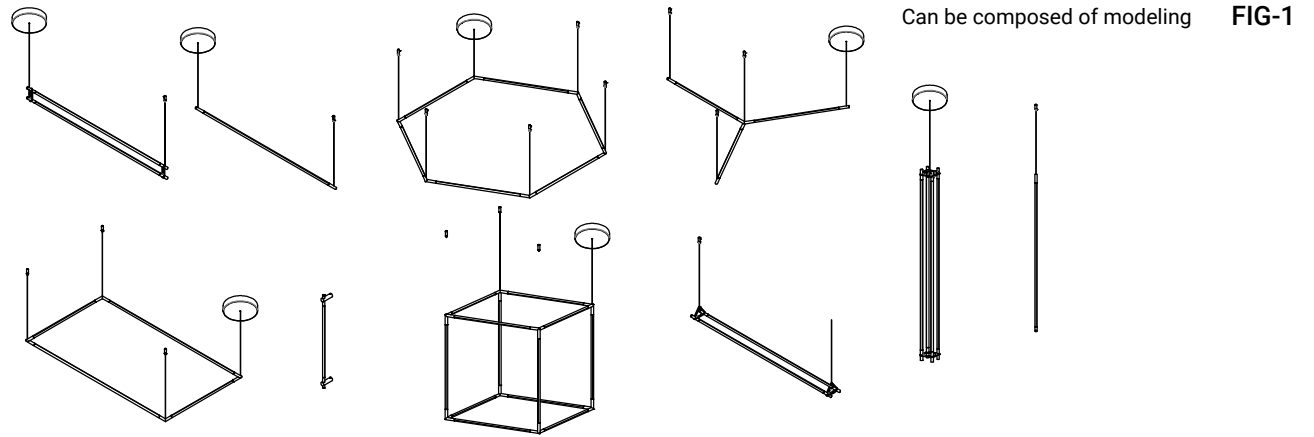
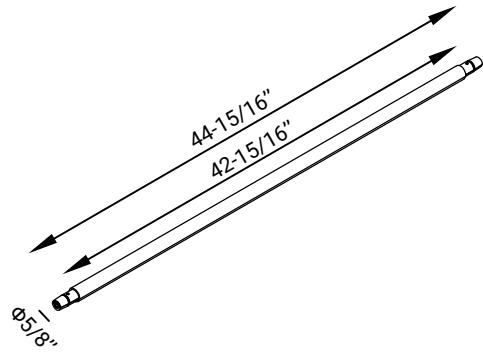


FIG-8



FTL-TL-4-35K-90-BK



FTL-ACC-05 *1 FTL-ACC-03 *1 FTL-TL-4 *1

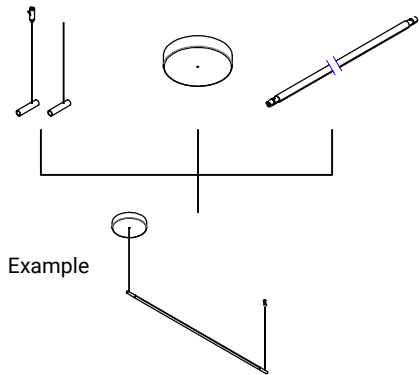


FIG-2

FIG-3

Thread the cable through the hole and then assemble the cable tie

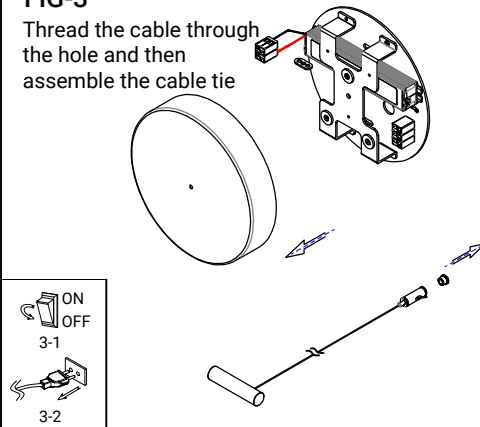


FIG-4

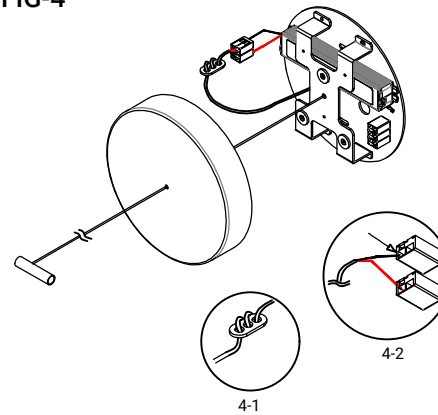


FIG-5

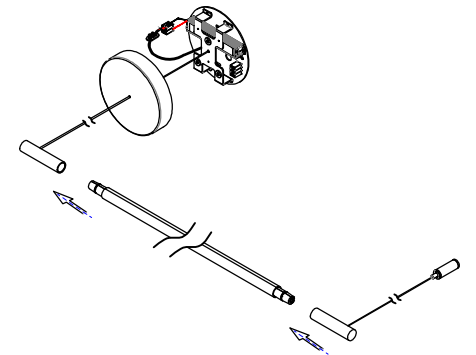


FIG-6

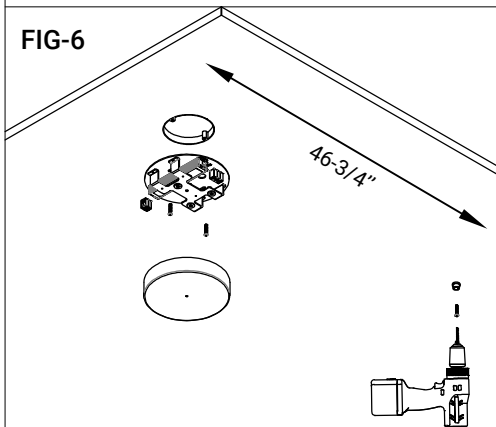


FIG-7

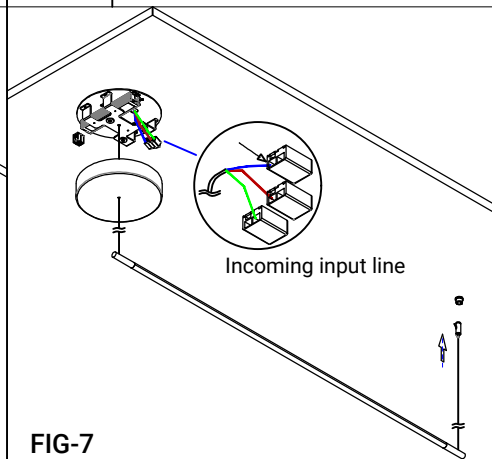


FIG-8

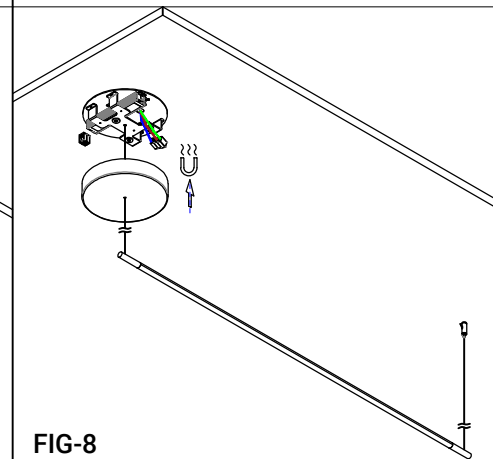


FIG-9

