

FG-RTL-



FIG-1

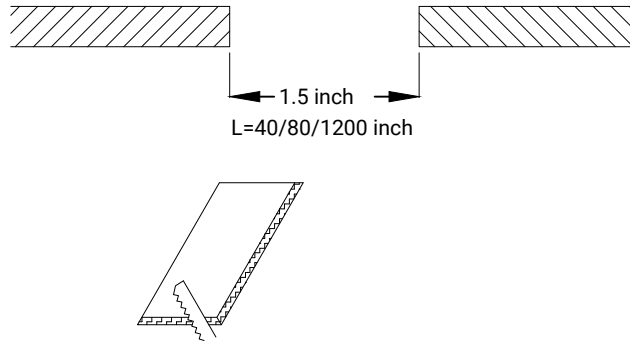


FIG-2

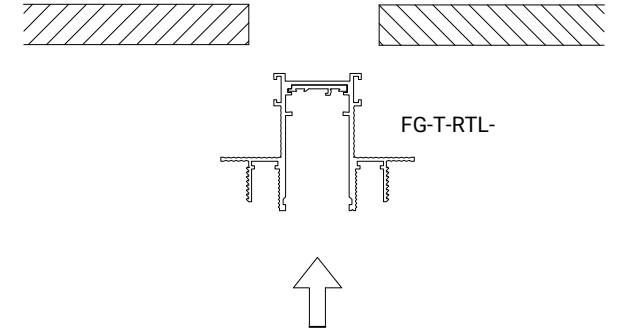


FIG-3

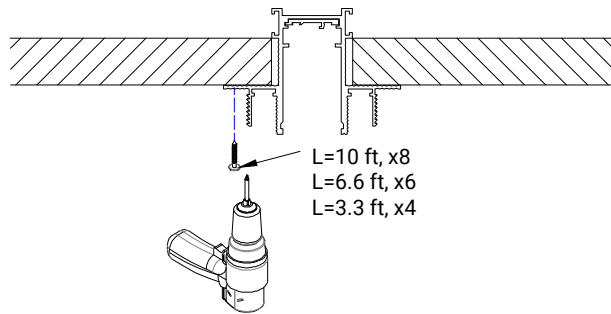


FIG-4

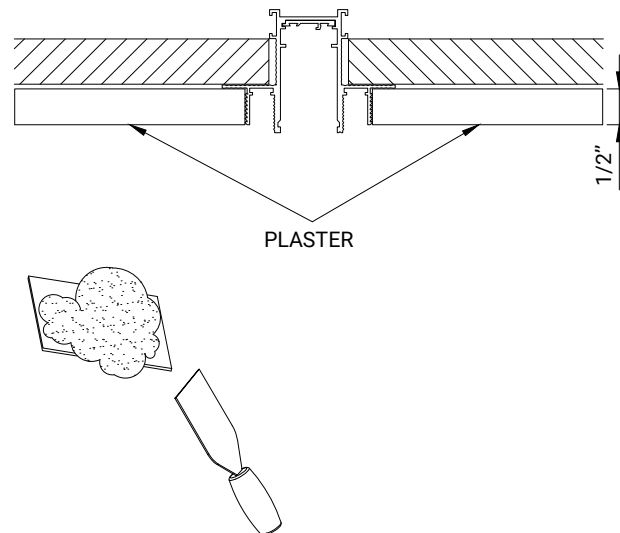
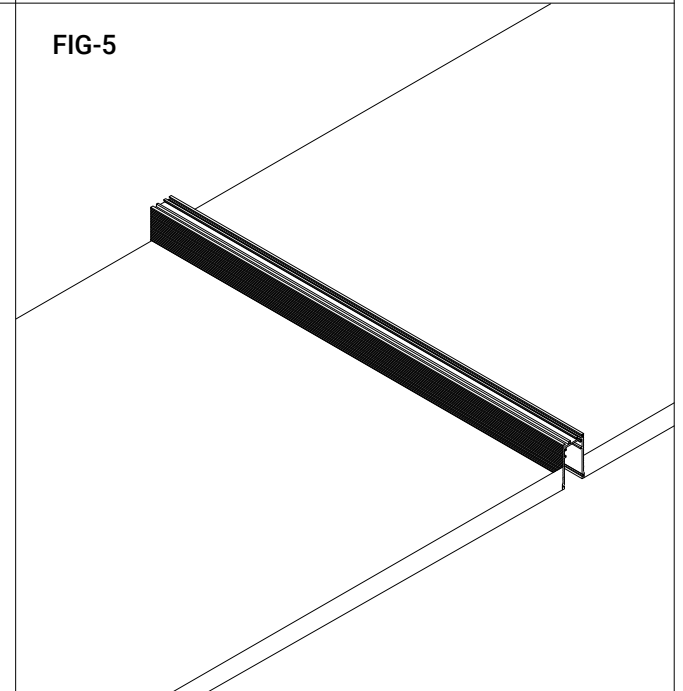


FIG-5



FG-CM-

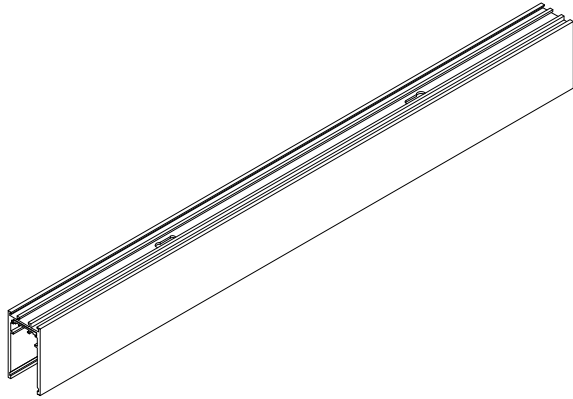


FIG-1

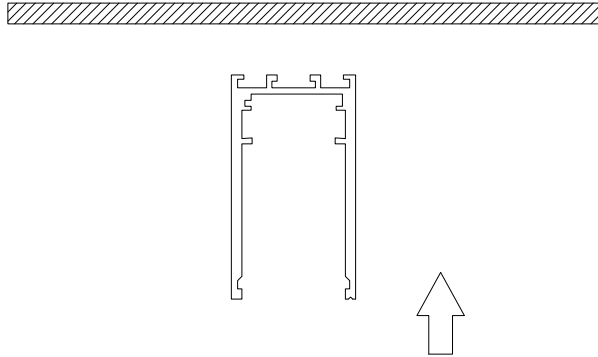


FIG-2

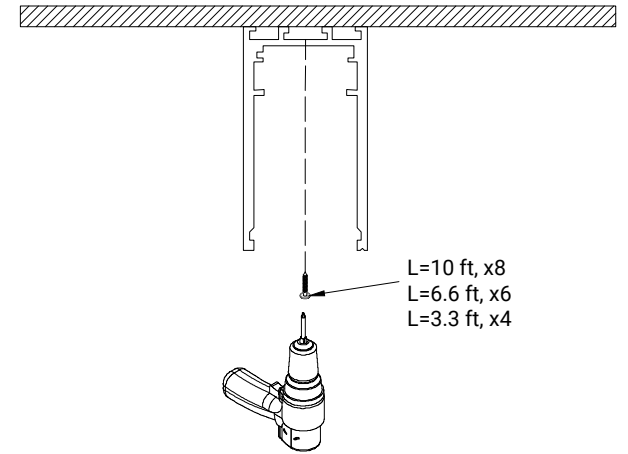


FIG-4

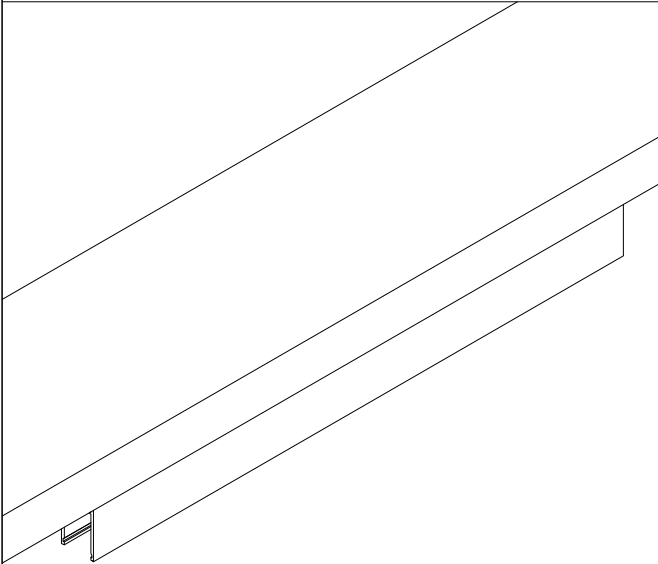


FIG-5

FG-SM- + FG-SM-ACC-2

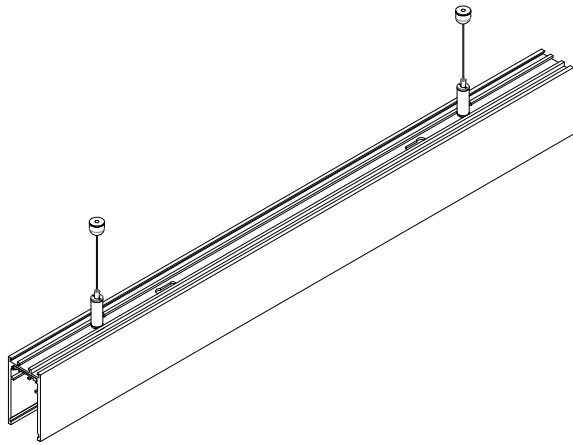


FIG-1

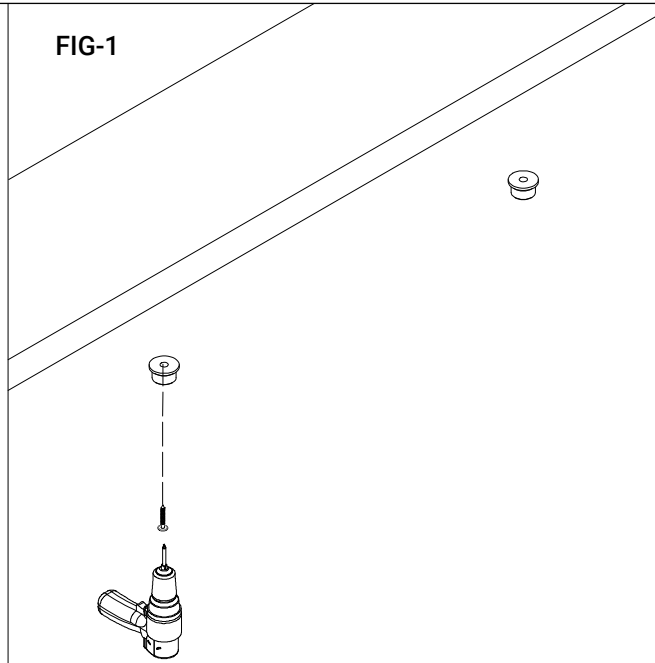


FIG-2

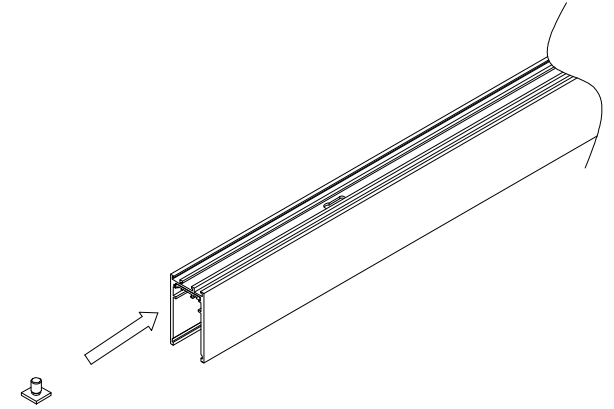


FIG-4

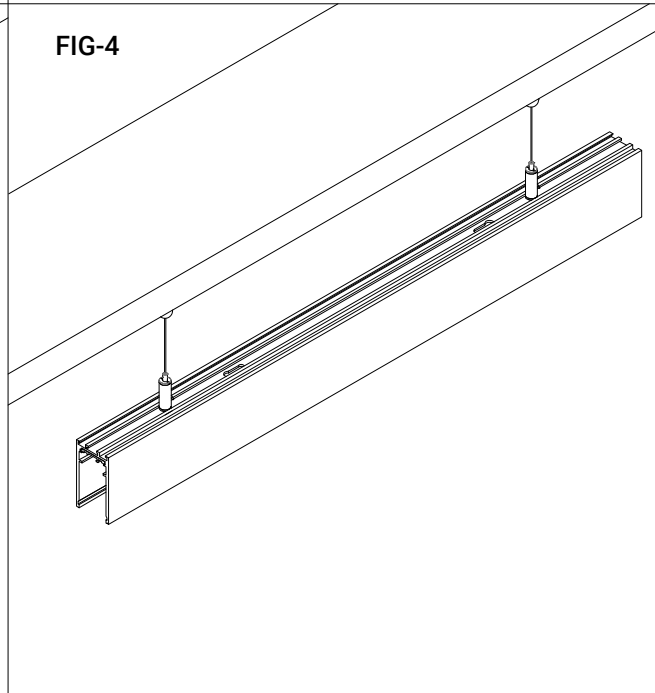
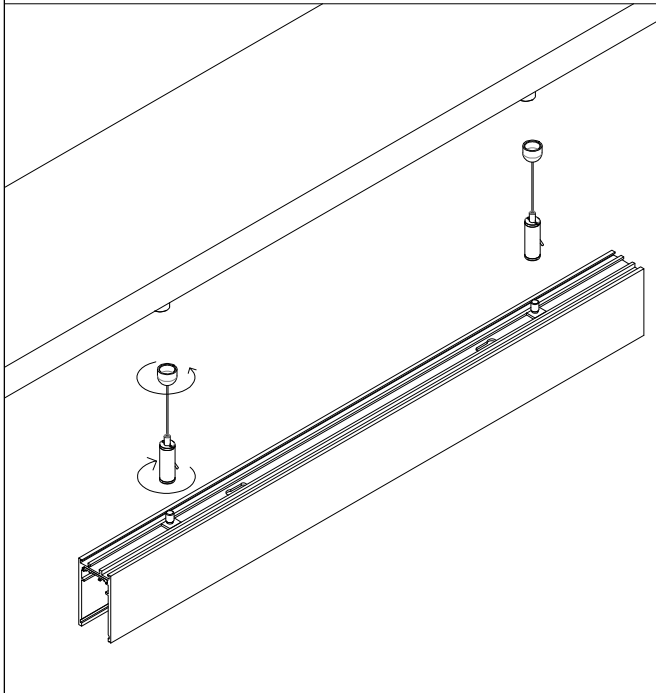
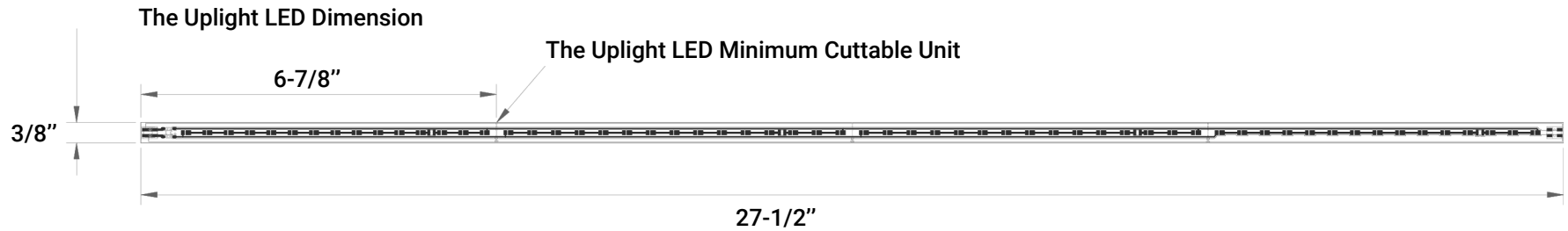


FIG-5





The Uplight LED must be shorter than the distance of the two holes for hanging.

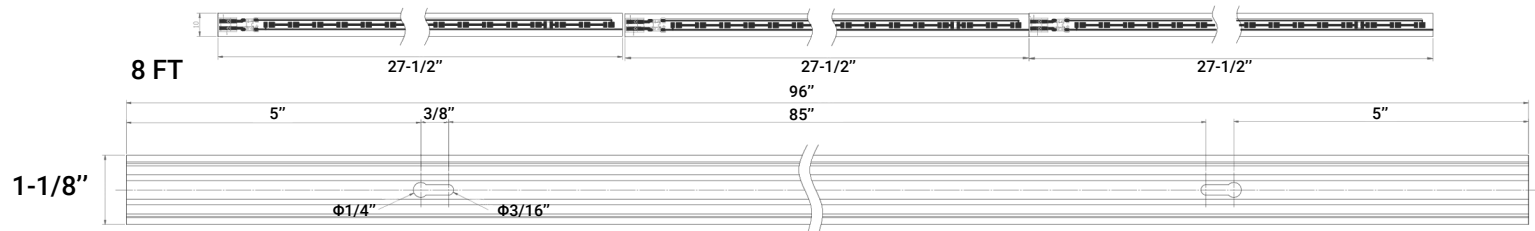
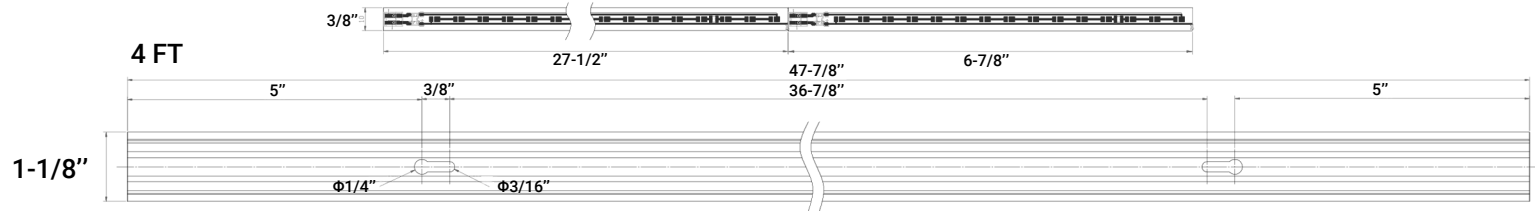
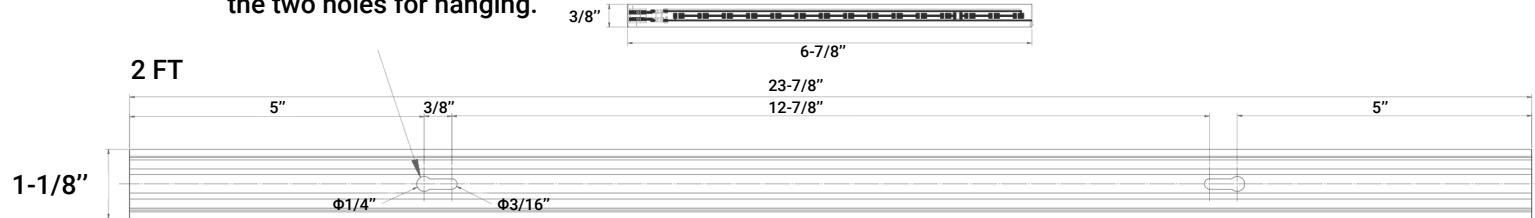
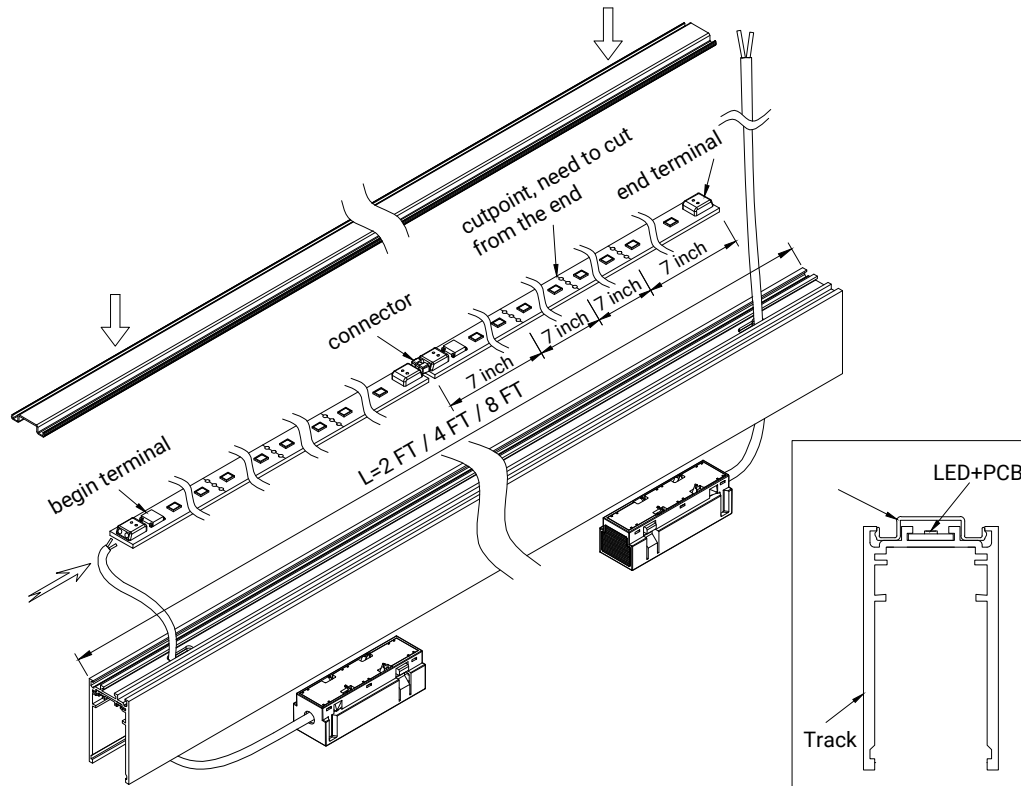
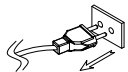


FIG-1



ON
OFF

1-1



1-2

FIG-1

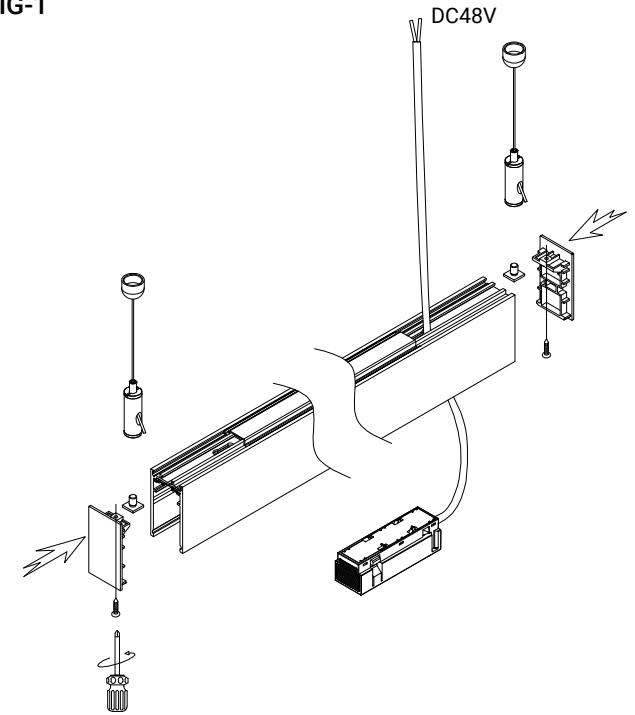


FIG-3

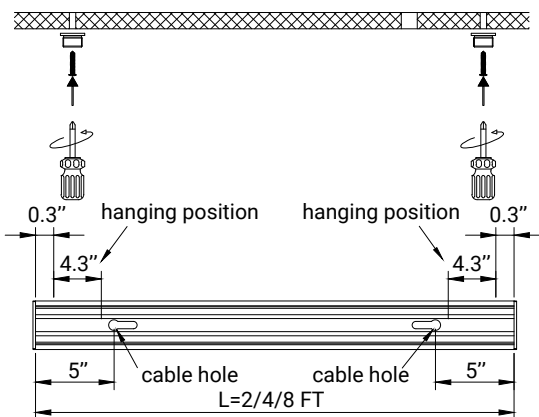


FIG-4

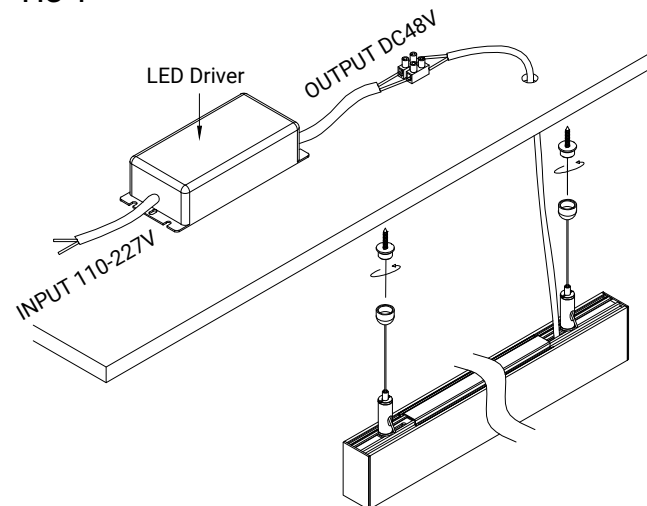
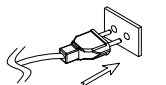
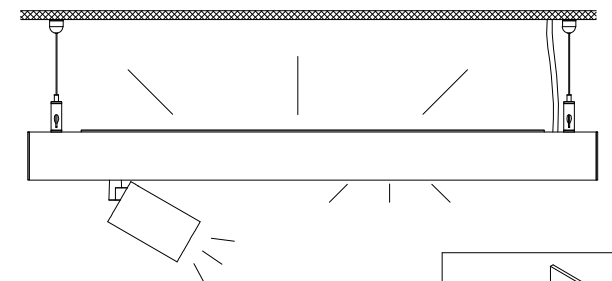


FIG-5



5-1

ON
OFF

5-2

FG-RF-

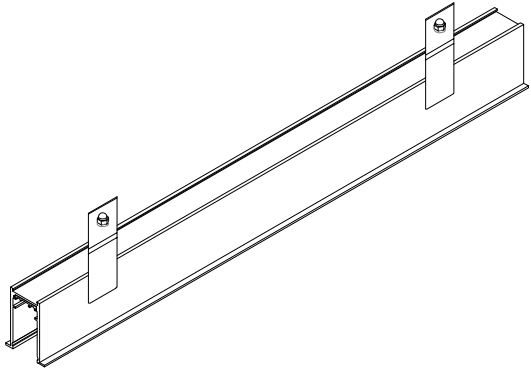


FIG-1

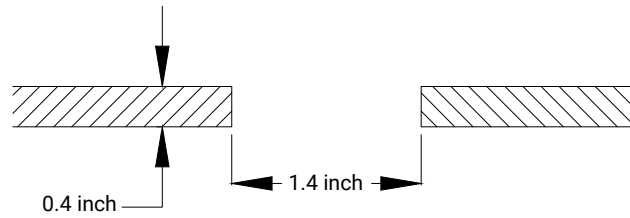


FIG-2

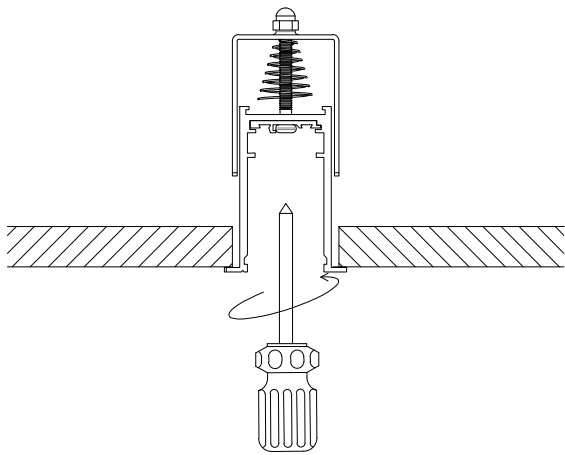
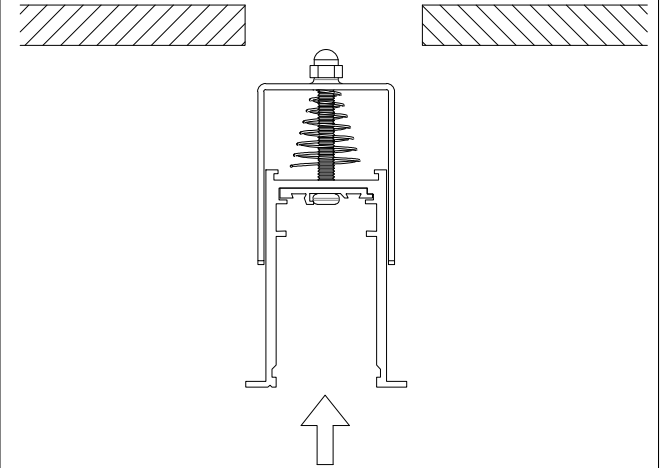


FIG-4

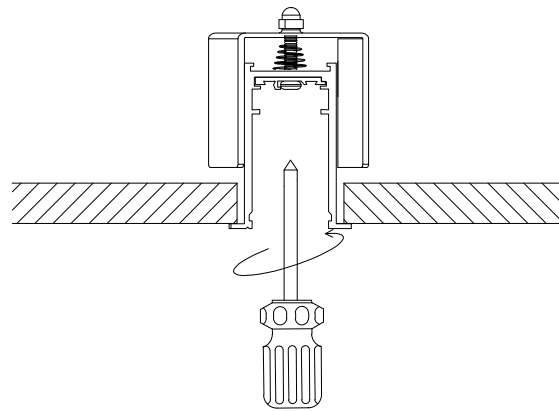
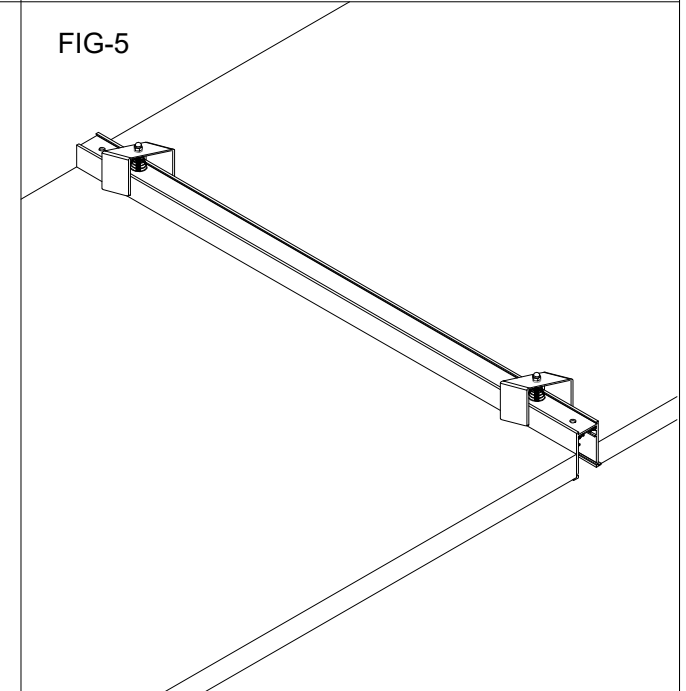


FIG-5



FG-CM-SM- + FG-SM-ACC-10

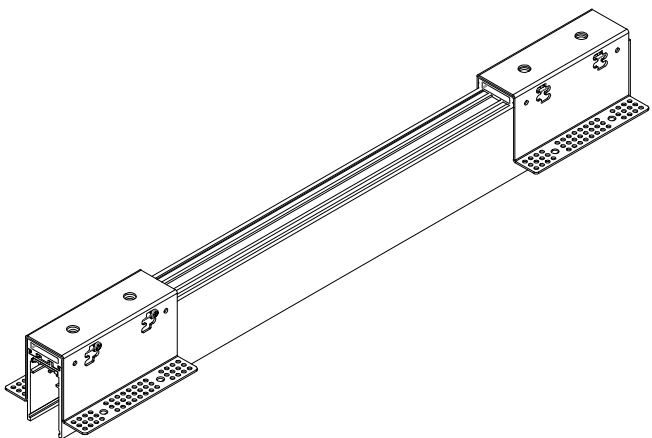


FIG-1

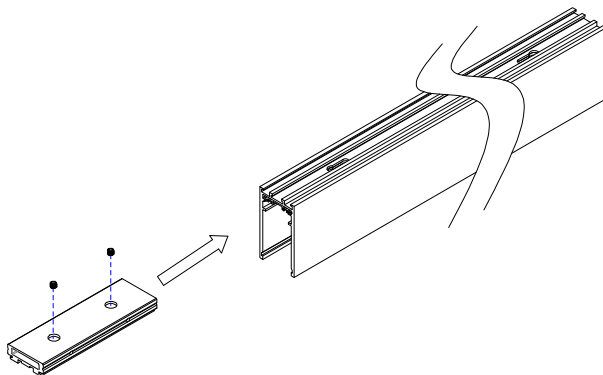


FIG-2

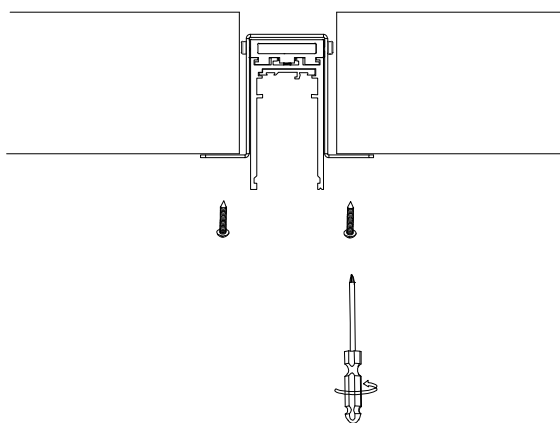
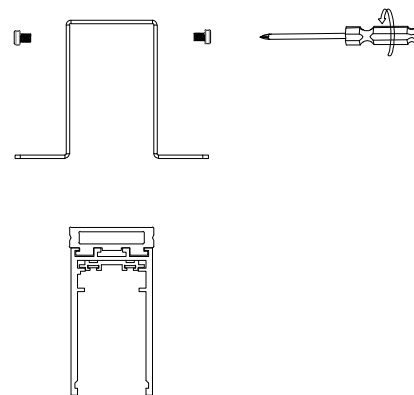


FIG-4

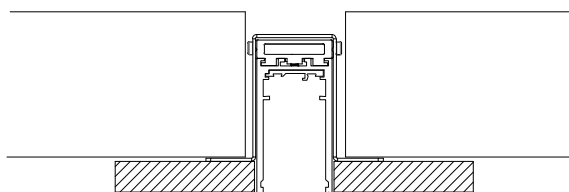
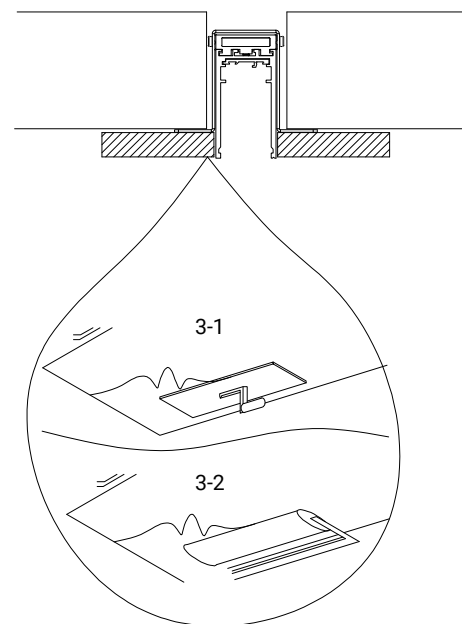


FIG-5



FG-T3-1

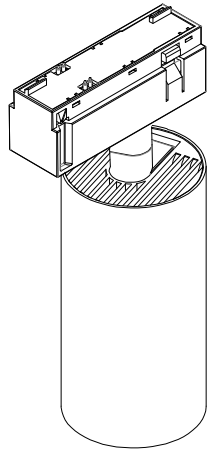


FIG-1

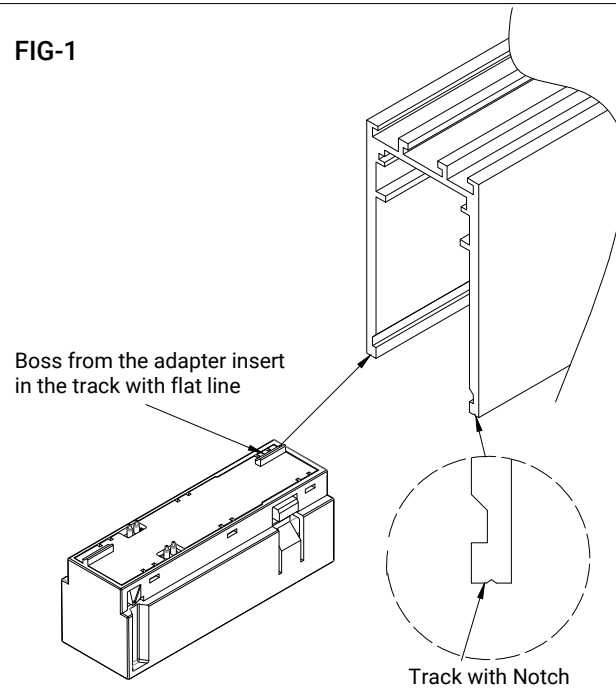


FIG-2

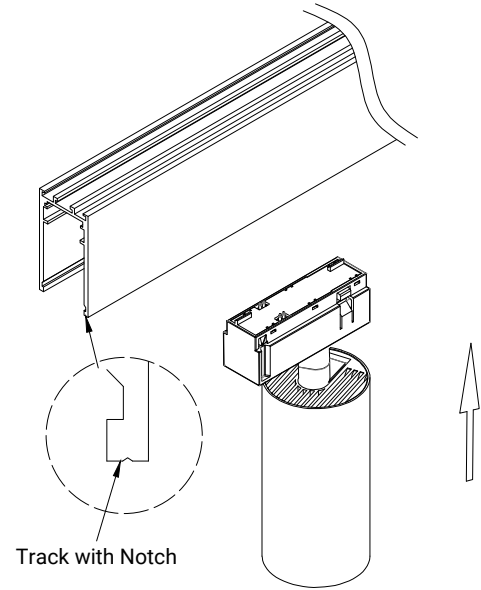


FIG-3

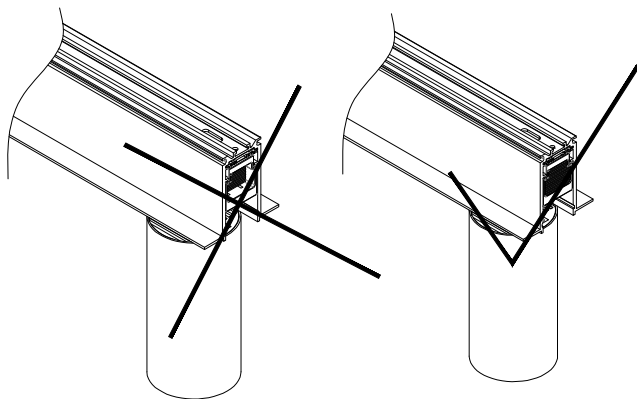


FIG-4

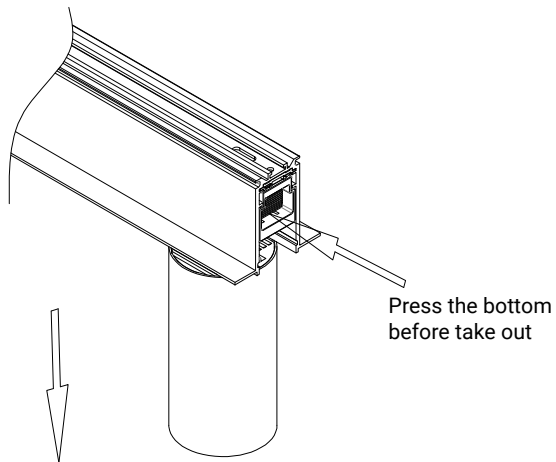
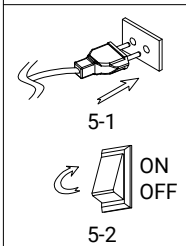
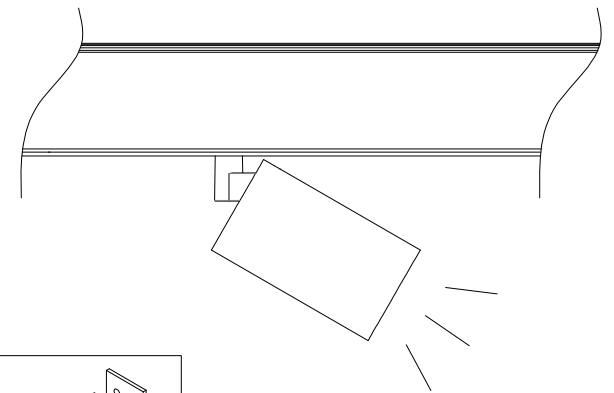
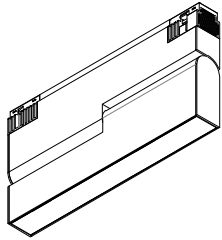


FIG-5



FG-L2A



FG-L4A

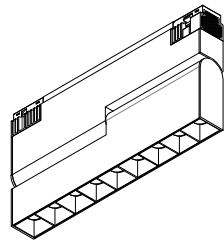


FIG-1

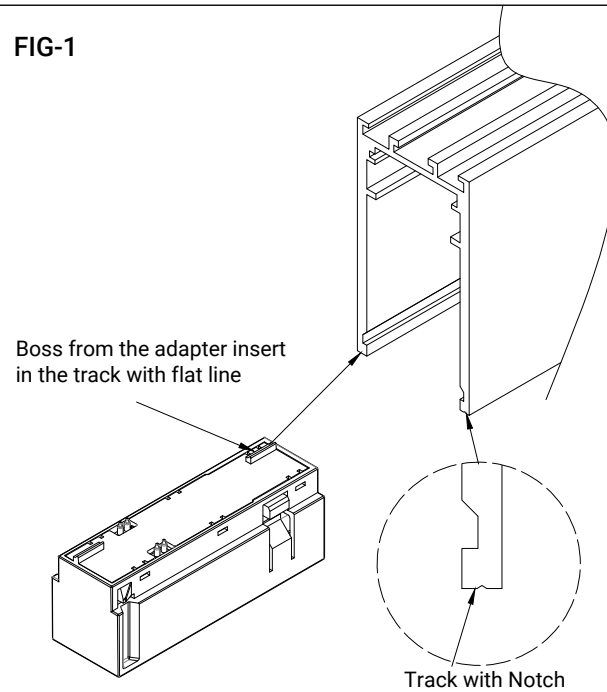


FIG-2

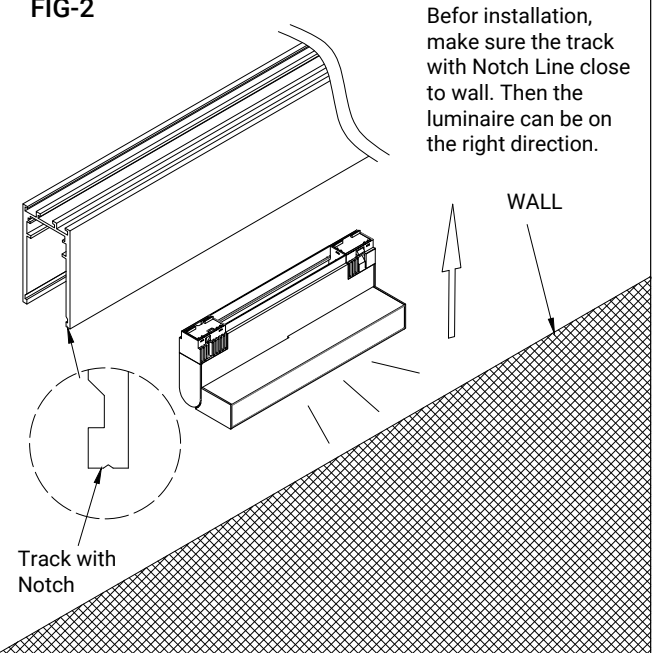


FIG-3

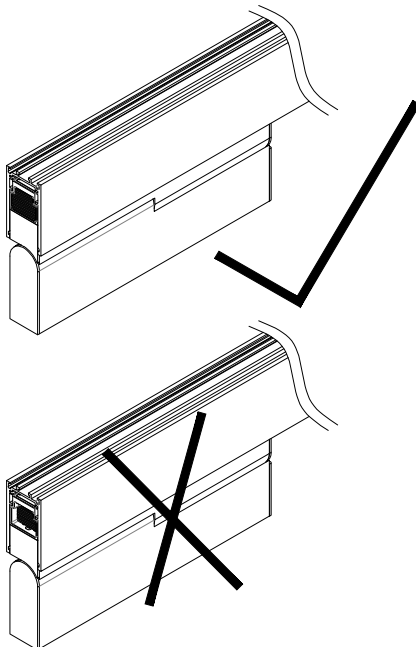


FIG-4

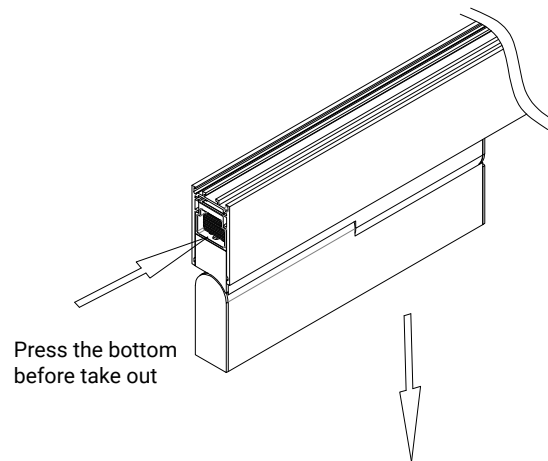
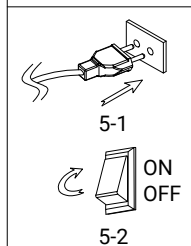
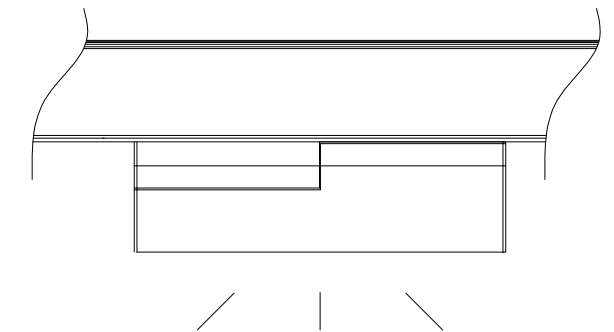


FIG-5



FG-L1R-
FG-L3R-
FG-L4R-

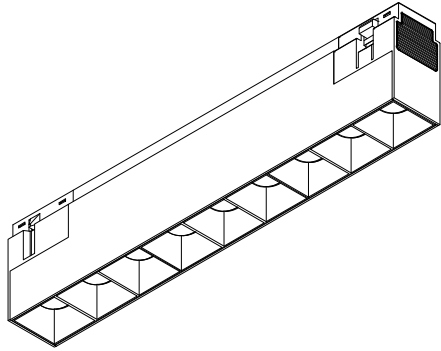


FIG-1

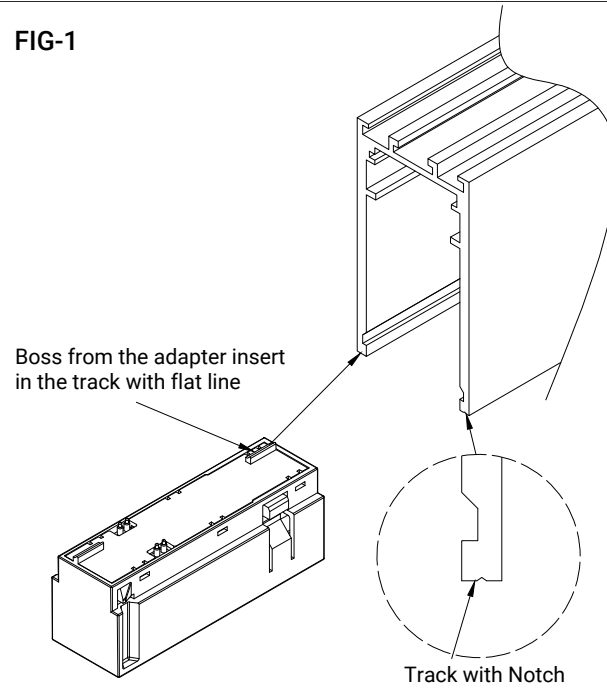


FIG-2

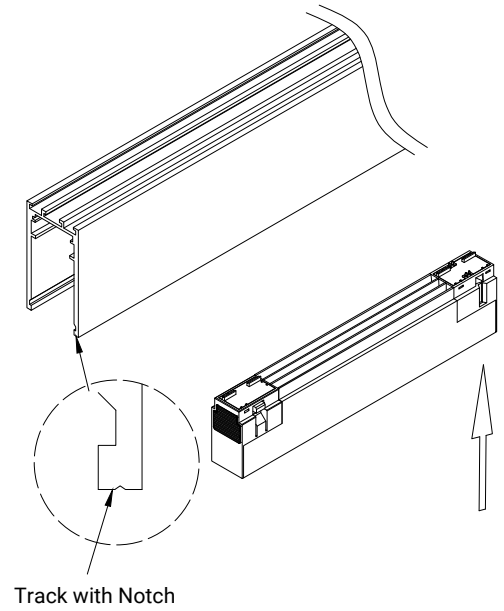


FIG-3

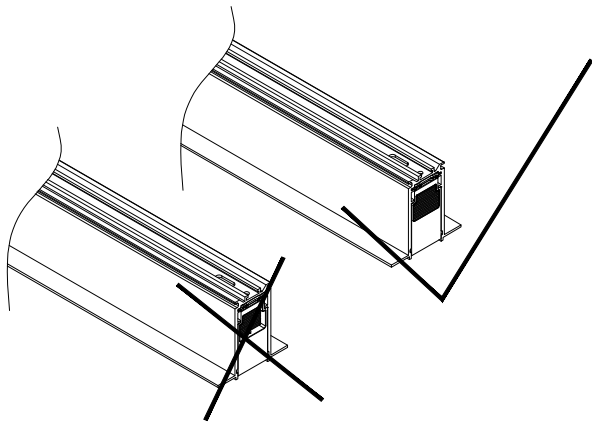


FIG-4

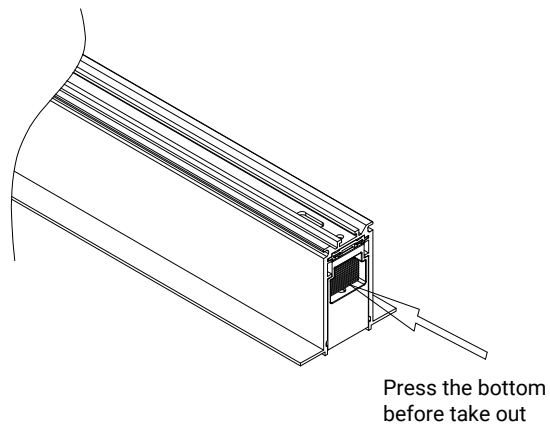
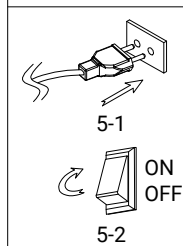
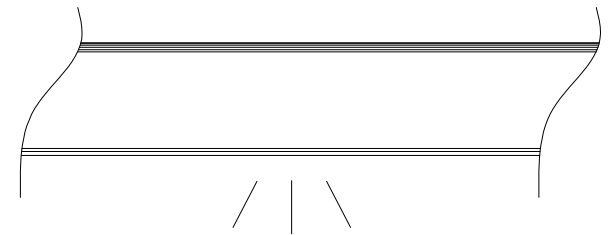
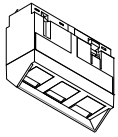


FIG-5



FG-L1-WW-3



FG-L1-WW-8

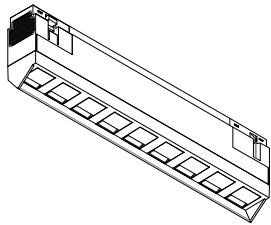
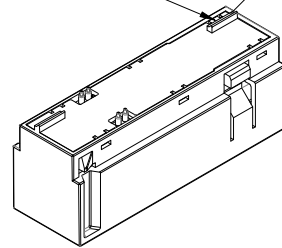


FIG-1

Boss from the adapter insert in the track with flat line



Track with Notch

FIG-2

Before installation, make sure the track with Notch Line close to wall. Then the luminaire can be on the right direction.

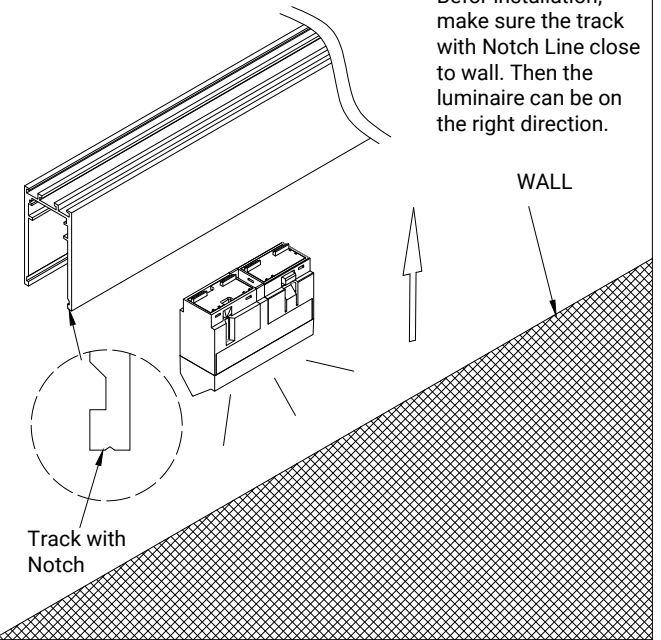


FIG-3

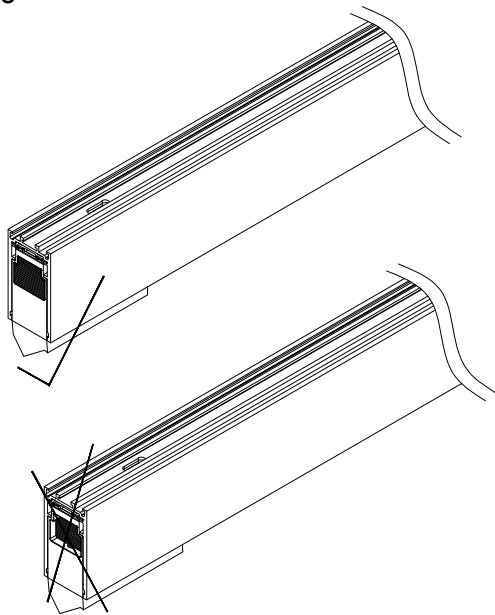


FIG-4

Press the bottom before take out

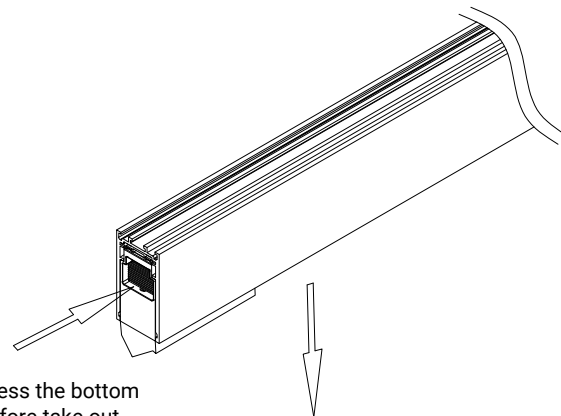
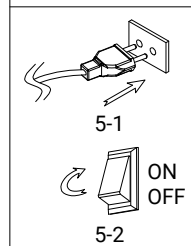
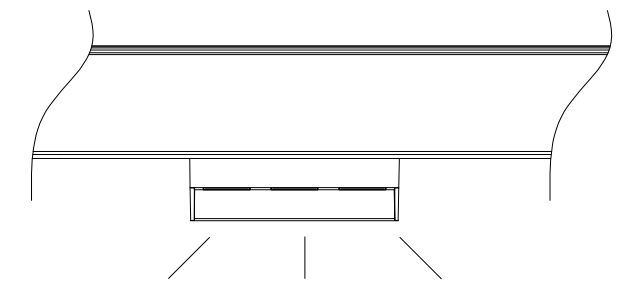


FIG-5



FG-P1/3/4/5

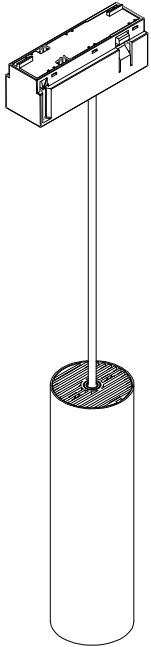


FIG-1

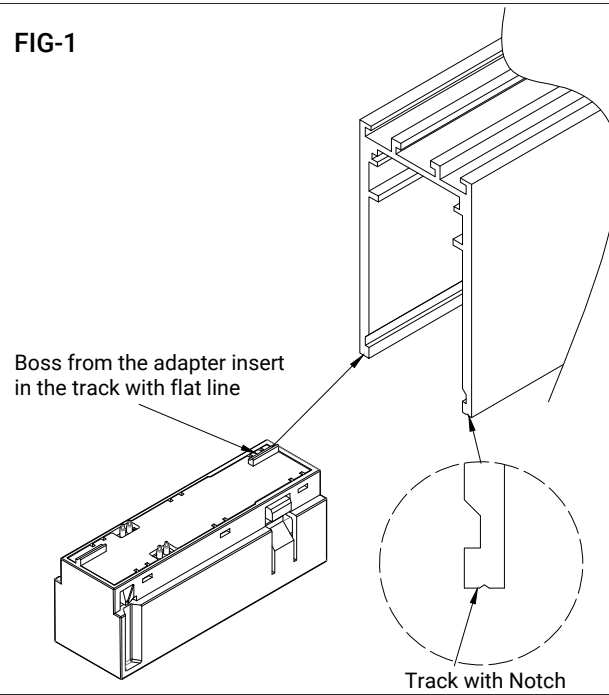


FIG-2

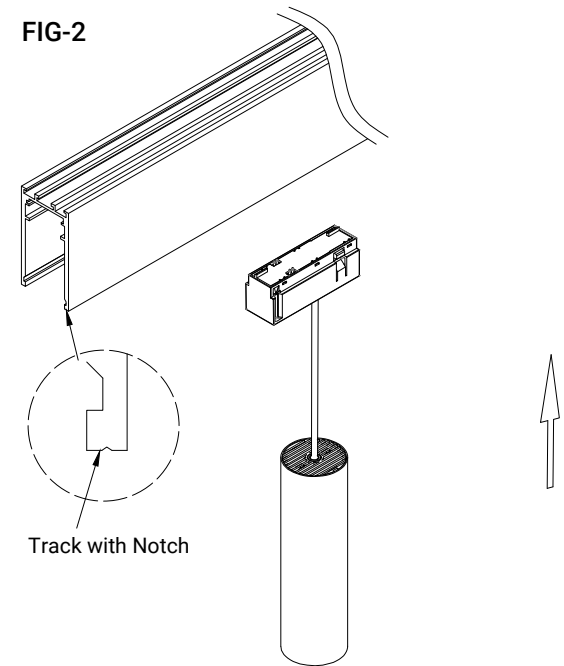


FIG-3

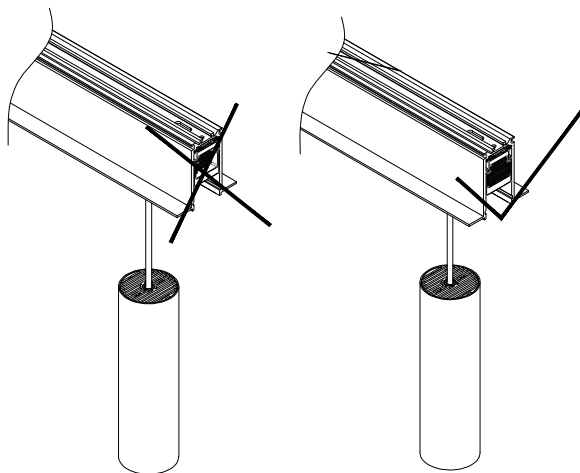


FIG-4

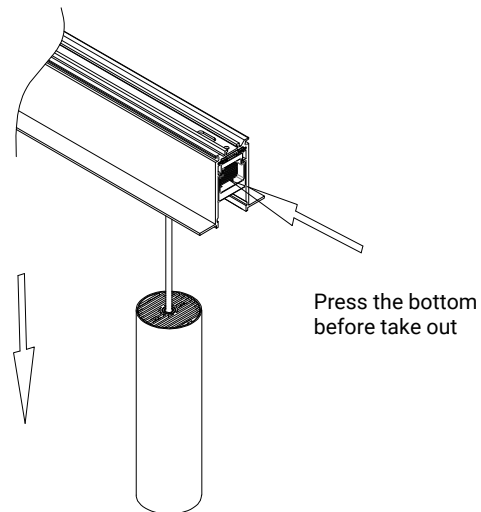
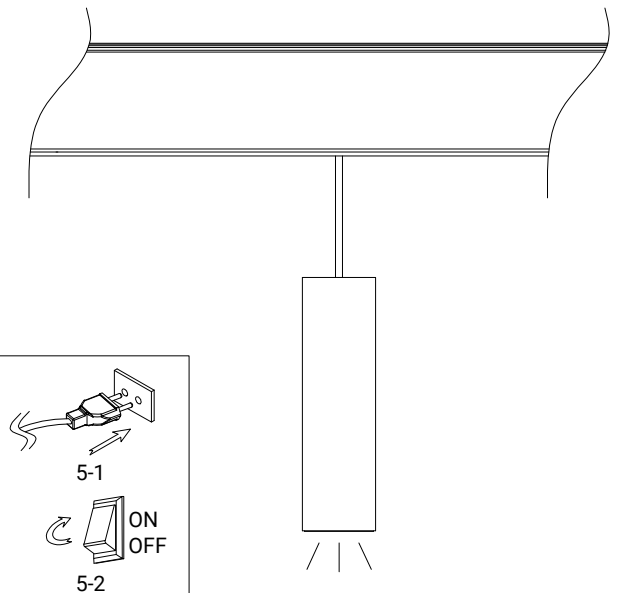


FIG-5



FG-L2S-
FG-L5S-

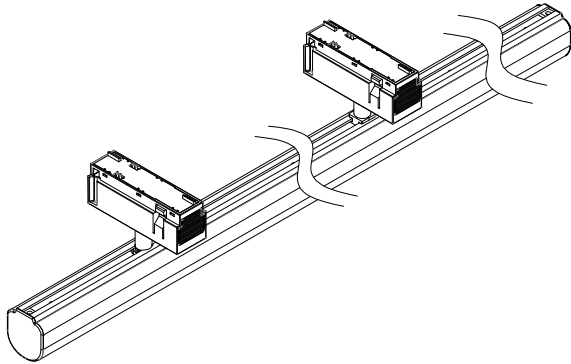


FIG-1

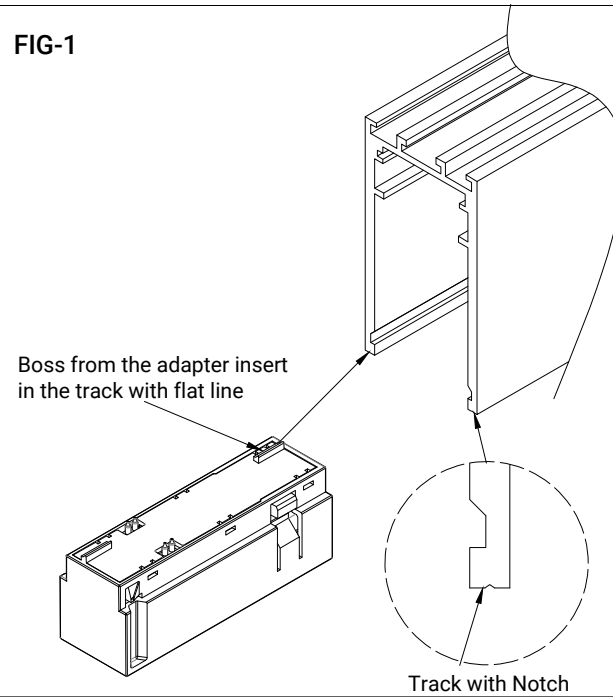


FIG-2

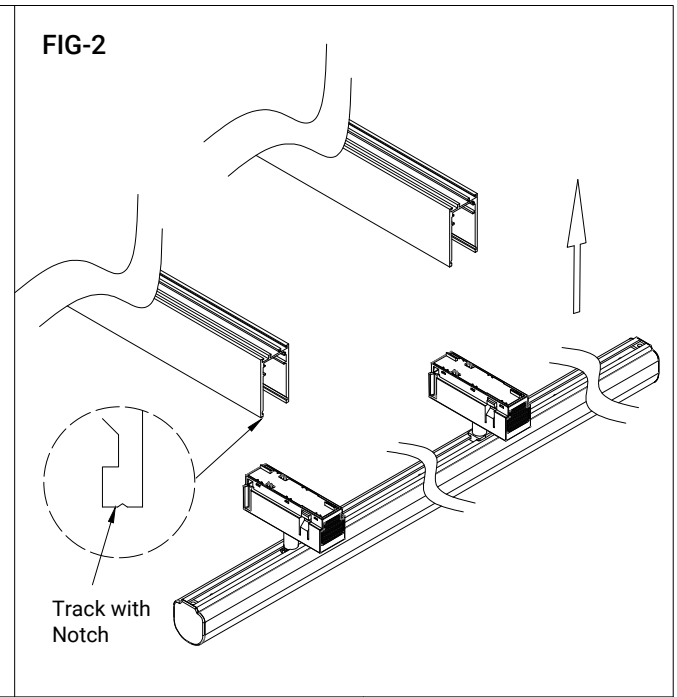


FIG-3

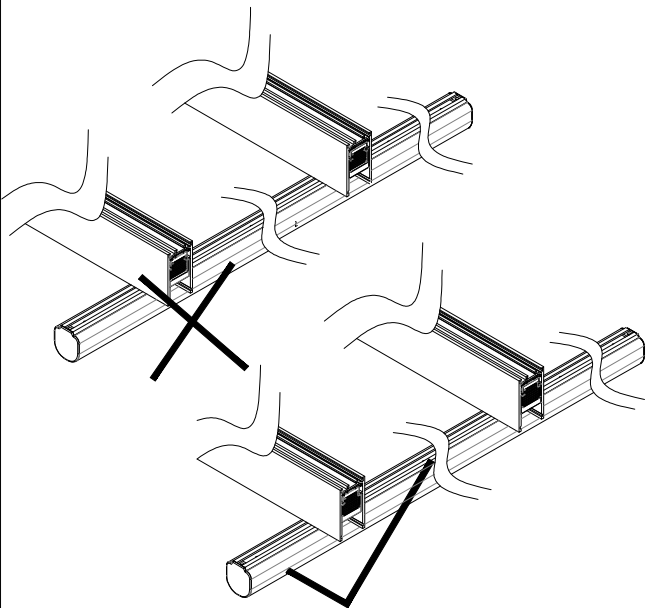


FIG-4

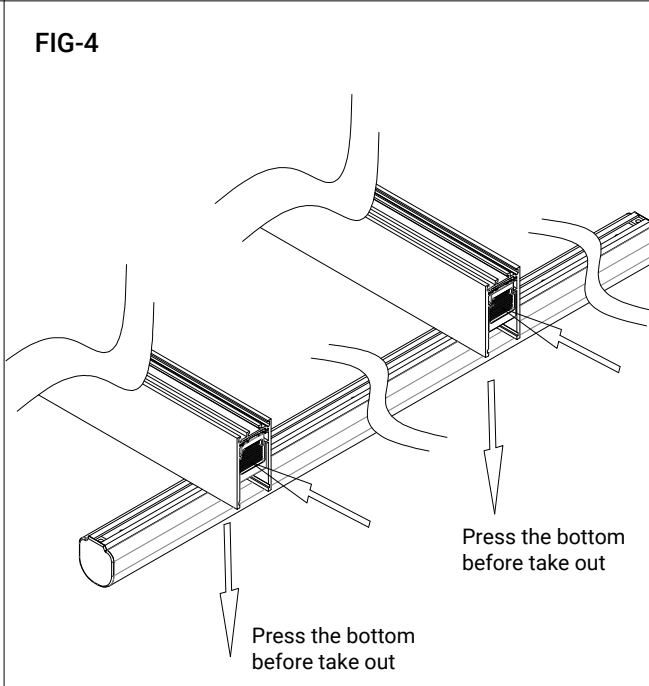


FIG-5

