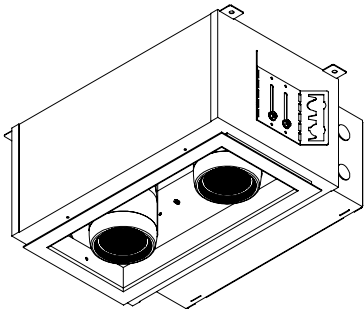




### SAFETY INSTRUCTIONS

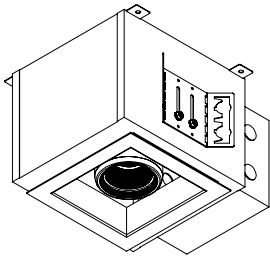
1. Do not use outdoors. 2. Equipment should be mounted securely in locations and at heights where it will not be readily subjected to tampering by unauthorized personnel. 3. Do not mount near gas or electric heaters. 4. Cap unused wires with enclosed wire nuts or other approved method. 5. Do not use this equipment for anything other than its intended use. 6. The use of accessory equipment not recommended by the manufacturer will void product listing and warranty and may cause an unsafe condition. 7. Use caution when servicing batteries. 8. Any service on this equipment should be performed by qualified personnel only. 9. Make sure wire terminations are secure and leads are properly tucked in appropriate wire channels. **CONSULT A QUALIFIED ELECTRICIAN BEFORE INSTALLING**



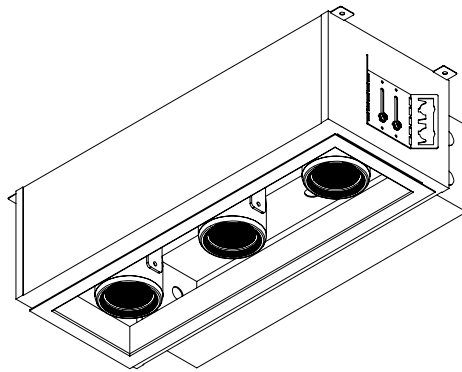
**Caution:**

Disconnect AC power before servicing and installation. All electrical connections must be in accordance with NEC/CEC or your local code.

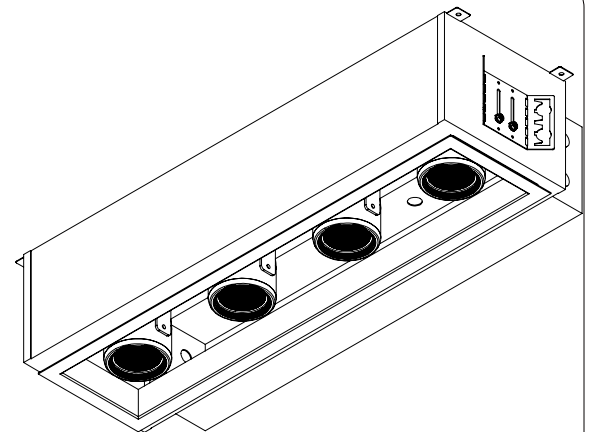
### Other FC Series



FC1-LED



FC3-LED

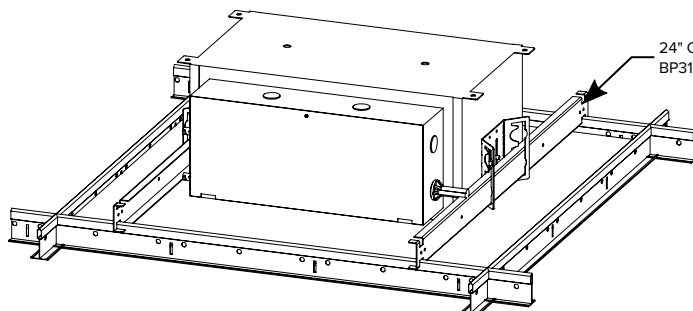


FC4-LED

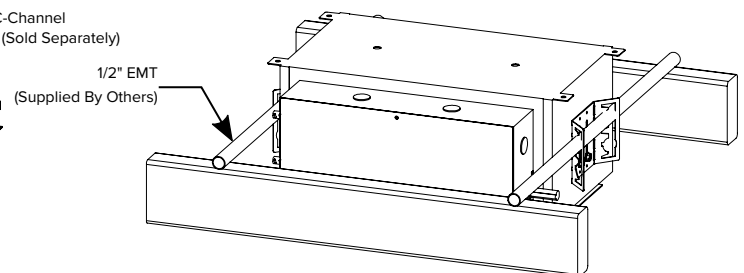
### MOUNTING:

Mounting Bracket can be adjusted to the desired height. Only C-Channel bar hanger and EMT can be used.

#### STEP 1



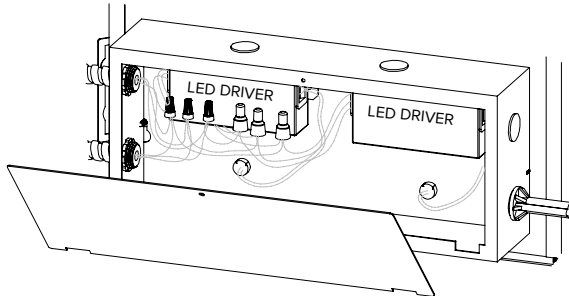
T-Bar Installation



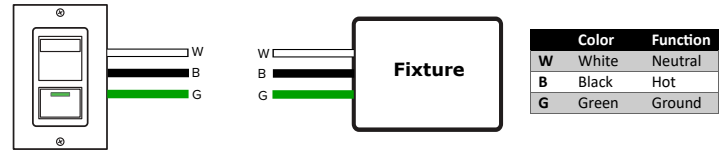
Joist Installation

### STEP 2: WIRING

Make electrical connections through desired knockout for conduit.  
Wire connectors are not supplied. For dimming wiring please refer to the last page of Wiring Diagram



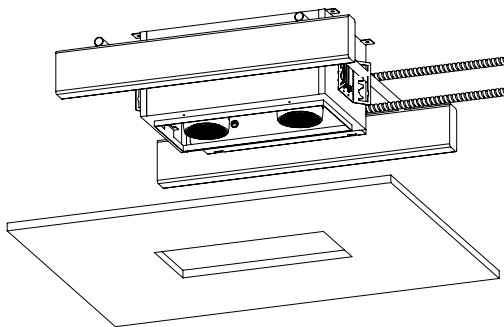
Junction Box Wiring



Wiring Diagram

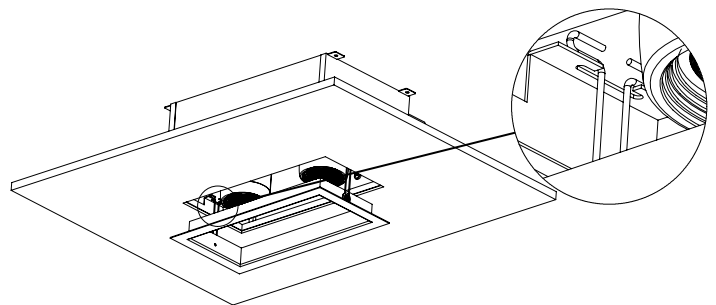
### STEP 3: DRYWALL

Install the sheetrock and router the holes



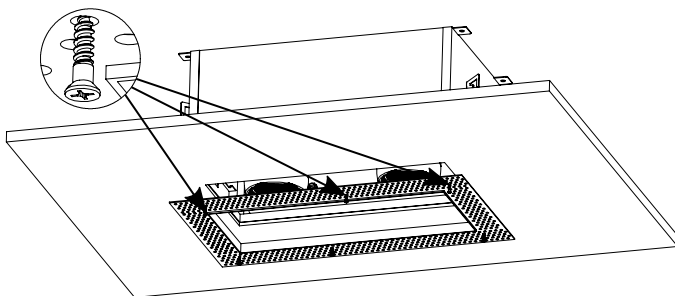
### STEP 4: FLANGED TRIM

Insert the flanged trim by squeezing the V-spring and inserting into the slot bracket.



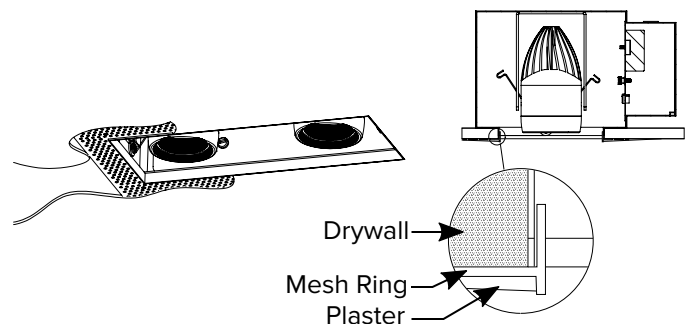
### STEP 4B: TRIMLESS

Secure the trimless mesh by installing screws through the ceiling and allow the head to countersink into the plasterboard.



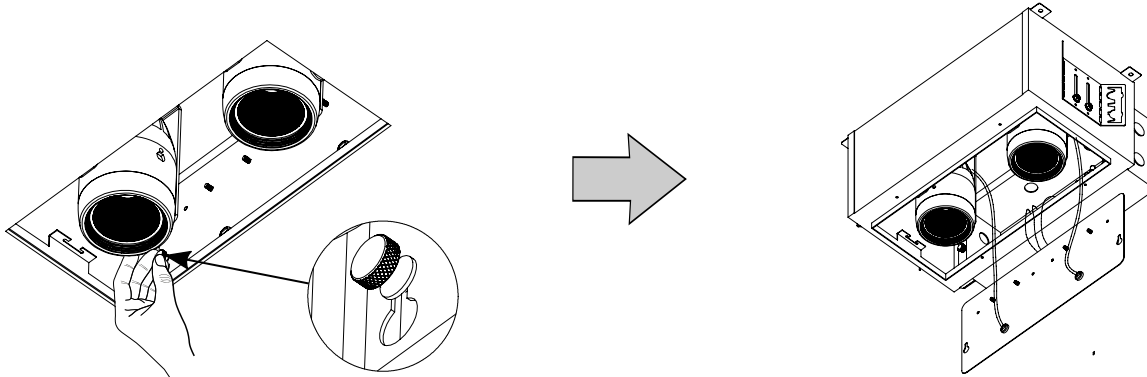
### STEP 5B: PLASTER

Plaster the ceiling to cover the screw heads and the mesh ring. Wait for it to dry and sand back the plaster until the surface is smooth.



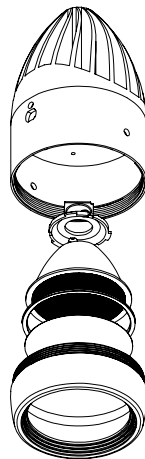
**DRIVER REMOVAL**

Loose the thumb screws at both ends, and lift up the cover plate and bring it out. Replace any defective driver.

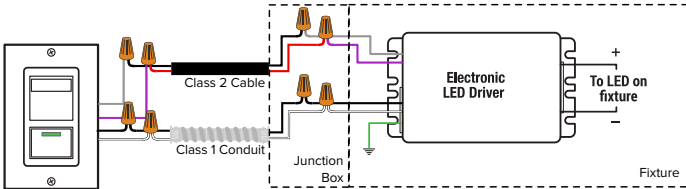
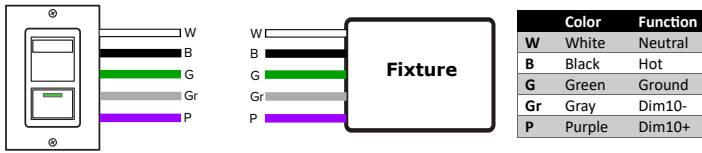


**LED REPLACEMENT**

Unscrew the finish ring, and remove the reflector, and replace the LED. Make sure the new LED COB have thermal paste.

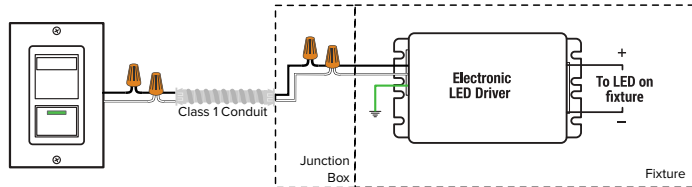
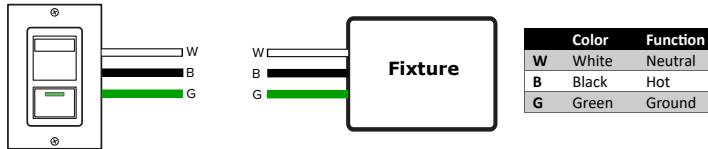


## DIM10 DIMMING WIRING (0-10V Dimming)

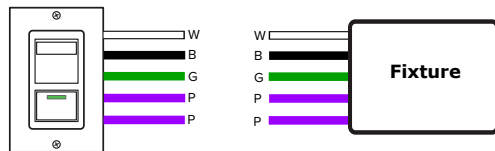


**Recommended Dimming Class 2 Cable**  
18-2C-LVBP

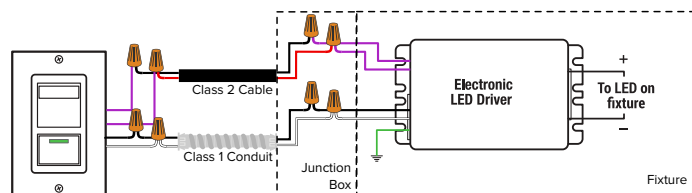
## DIMTR/LUT2W DIMMING WIRING (Line Voltage Dimming)



## LUTH DIMMING WIRING (Lutron Ecosystem)

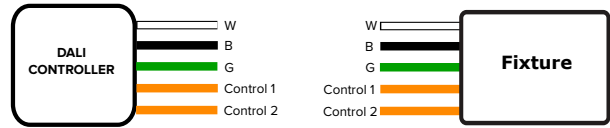


Color	Function
W	White Neutral
B	Black Hot
G	Green Ground
P	Purple E1*
P	Purple E2*

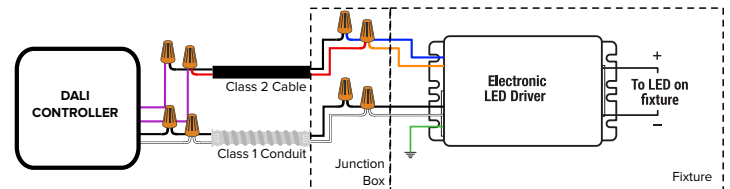


\*E1 and E2 (EcoSystem digital link wires) are polarity-insensitive and can be wired in any topology.

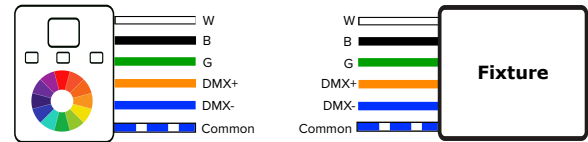
## DALI DIMMING WIRING



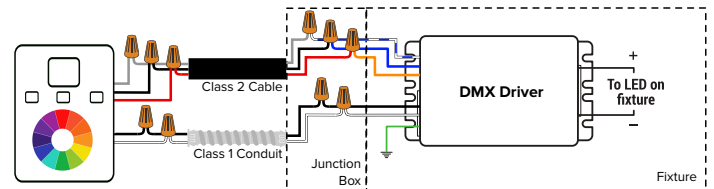
Color	Function
W	White Neutral
B	Black Hot
G	Green Ground
O	Orange DA+
Bl	Blue DA-



## DMX DIMMING WIRING



Color	Function
W	White Neutral
B	Black Hot
G	Green Ground
O	Orange DMX+
Bl	Blue DMX-
B/W	Blue/White DMX Common



**Recommended Dimming Class 2 Cable**  
18-2C-LVBP

## DIMST DIMMING WIRING (Step Dimming)

