



**SAFETY INSTRUCTIONS**

1. Do not use outdoors. 2. Equipment should be mounted securely in locations and at heights where it will not be readily subjected to tampering by unauthorized personnel. 3. Do not mount near gas or electric heaters. 4. Cap unused wires with enclosed wire nuts or other approved method. 5. Do not use this equipment for anything other than its intended use. 6. The use of accessory equipment not recommended by the manufacturer will void product listing and warranty and may cause an unsafe condition. 7. Use caution when servicing batteries. 8. Any service on this equipment should be performed by qualified personnel only. 9. Make sure wire terminations are secure and leads are properly tucked in appropriate wire channels. **CONSULT A QUALIFIED ELECTRICIAN BEFORE INSTALLING**

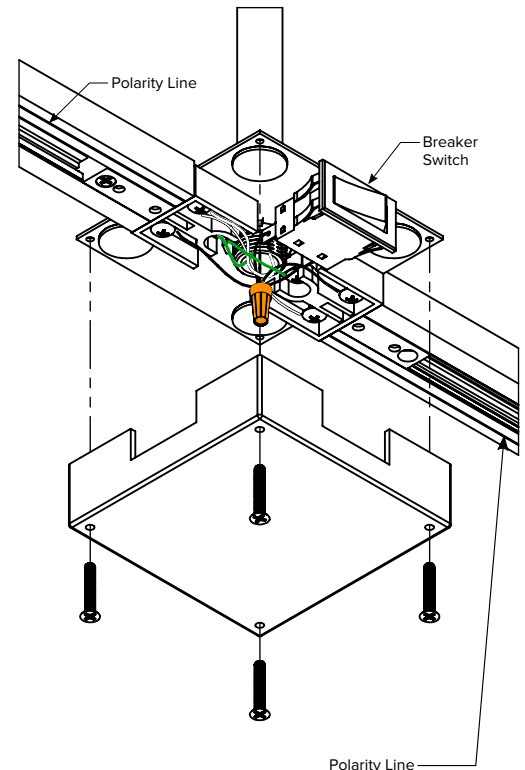


**Caution:**

Disconnect AC power before servicing and installation. All electrical connections must be in accordance with NEC/CEC or your local code.

**INSTRUCTIONS STEPS**

- 1.** Remove the cover plate and set aside.
- 2.** Insert ends (for Straight Connector) of connector or the end (for Live End Connector) of the connector into the ends of track (Ground Contact must line up with Polarity Groove of track.) Secure track by tightening lock screws at the tip of connector until snug. **DO NOT OVER TIGHTEN.** This may distort track.
- 3.** Mount Current Limiter to junction box by passing power supply wires through center hole of mounting plate and secure to the junction box by using two screws (provided by others) through the two slots on the mounting plate. When using conduit to supply power, install the conduit, flex or romex to the Live End or Straight Connector using an appropriate connector.
- 4.** Insert Circuit Breaker into mounting hole next to track connector by pushing the Circuit Breaker into the hole from the outside of the mounting plate until it snaps into place. When using two Circuit Breakers, remove the tearout on the Cover, that covers the hole for the second Circuit Breaker, carefully and cleanup edge with utility knife.
- 5.** Attach Wire Assemblies to Circuit Breaker by pushing the Wire Assembly onto the tab on the Circuit Breaker.
- 6.** Strip supply wires 1/2".
- 7.** Using the provided wire nut connect the black (HOT) supply wire to one of the wire assemblies connected to the Circuit Breaker.
- 8.** Attach the white (NEUTRAL) supply wire to the screw marked NEUT on the track connector and the other wire assembly from the Circuit Breaker to the screw marked LINE on the track connector.
- 9.** Attach the ground wire to the ground screw on the mounting plate. If no ground wire is available, be sure that the system is grounded per local codes.
- 10.** Replace cover using the four tamper proof screws.



\*Polarity Groove will be opposite