



SAFETY INSTRUCTIONS

1. Do not use outdoors. 2. Equipment should be mounted securely in locations and at heights where it will not be readily subjected to tampering by unauthorized personnel. 3. Do not mount near gas or electric heaters. 4. Cap unused wires with enclosed wire nuts or other approved method. 5. Do not use this equipment for anything other than its intended use. 6. The use of accessory equipment not recommended by the manufacturer will void product listing and warranty and may cause an unsafe condition. 7. Use caution when servicing batteries. 8. Any service on this equipment should be performed by qualified personnel only. 9. Make sure wire terminations are secure and leads are properly tucked in appropriate wire channels. **CONSULT A QUALIFIED ELECTRICIAN BEFORE INSTALLING**



Caution:

Disconnect AC power before servicing and installation. All electrical connections must be in accordance with NEC/CEC or your local code.



Caution:

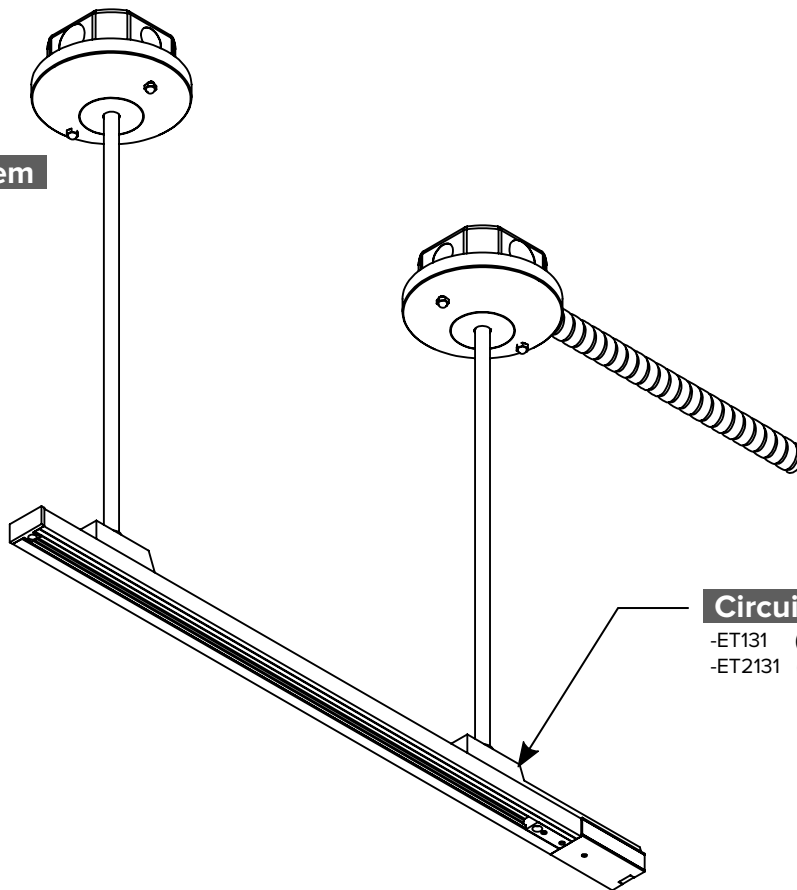
Track system is polarized to accept power connectors only one way. This right hand connector will fit directly into the open end of the track system as shipped from the factory

PENDANT MOUNT TRACK SYSTEM

Pendant Mount Stem

- ET127 (18in)
- ET128 (24in)
- ET129 (39in)
- ET130 (48in)

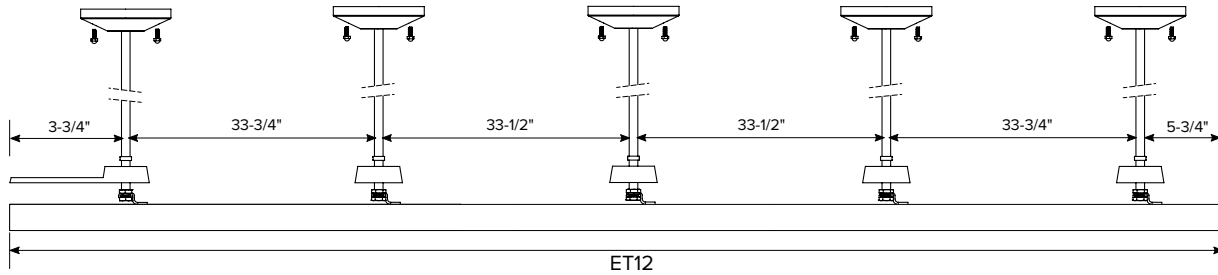
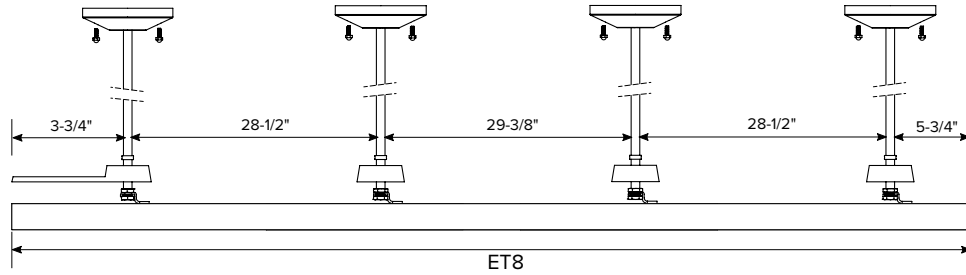
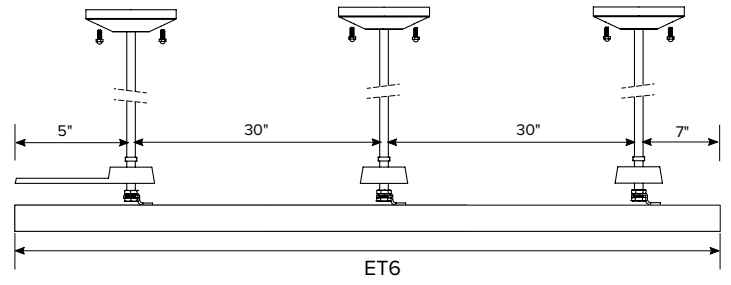
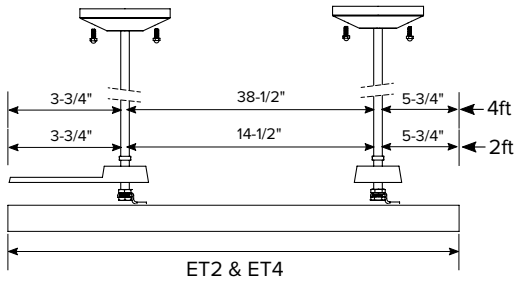
*Pendant Stems can be for 1 circuit and 2 circuit.



Circuit Wire Cover

- ET131 (1 Circuit)
- ET2131 (2 Circuit)

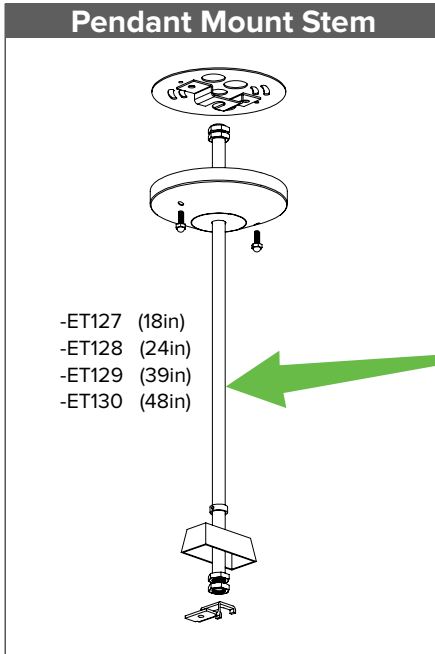
MOUNTING TRACK



*Tolerance ±1/4"

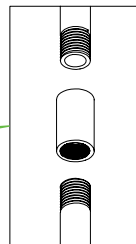
PENDANT MOUNT TRACK OVERVIEW

Pendant Mount Stem



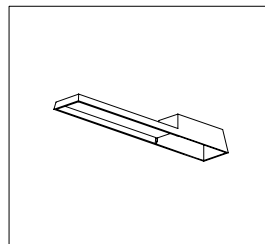
Pendant Mount Accesories

Track Pole Connector



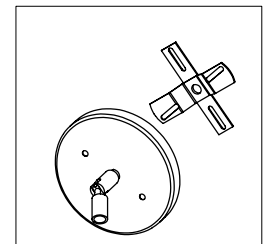
ET153

Wire Cover



ET131
ET2131

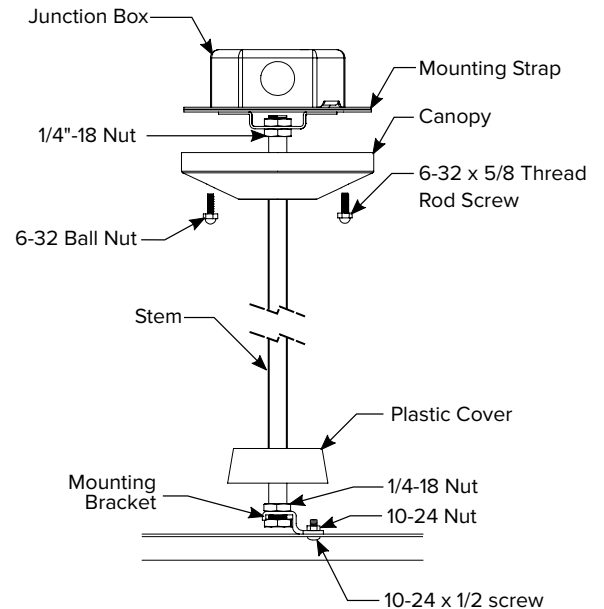
5in Pendant Drop Slope Ceiling



ET139

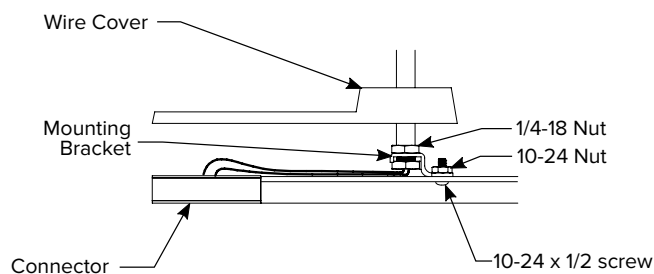
INSTRUCTIONS STEPS

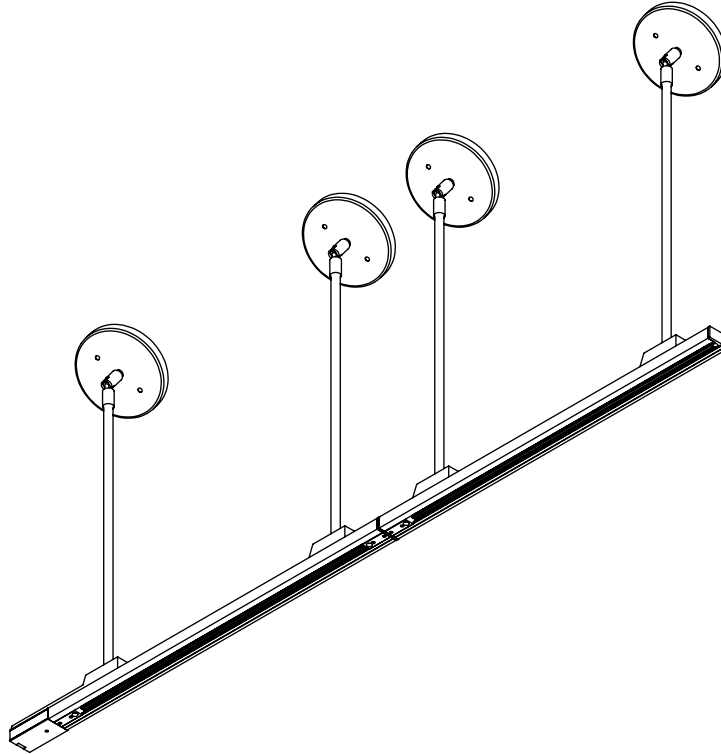
- 1.** Assemble mounting strap to existing junction box with 8-32 x 5/8 screw (2) (Not Provided). (If mounting directly to ceiling use other type screws not provided).
- 2.** Assemble 1/4"-18 nut (2) to threaded end of stem slide into "U" groove of mounting strap. Tighten the remaining nut
- 3.** Slide canopy on stem and secure to mounting strap with 6-32 x 5/8 (2) threaded rods and 6-32 ball nut (2).
- 4.** Slide canopy on stem.
- 5.** Assemble 1/4"-18 nut (2) to threaded end of stem leaving enough space between nuts to allow mounting bracket to slide between. Tighten nuts securely.
- 6.** Assemble track to bracket using 10-24 x 1/2 screw and 10-24 nut. Tighten securely slide cover over bracket.



INSTRUCTIONS STEPS

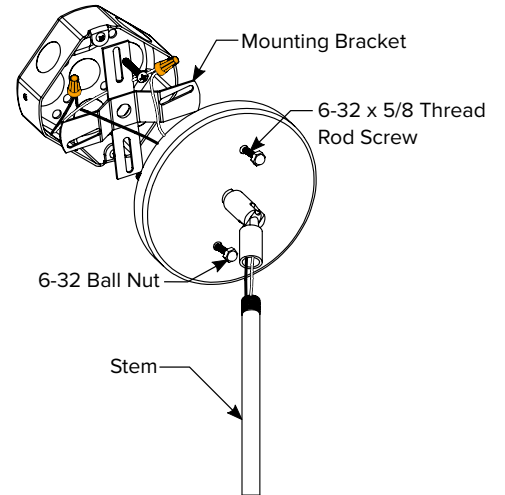
- 1.** Assemble as ET127 instructions, and feed the wires through the stem. Use the wire cover
- 2.** Connect field wires to proper terminal of connector.





INSTRUCTIONS STEPS

- 1.** Mount the mounting bracket to the existing junction box with 2 screws.
- 2.** Feed the electrical wires through the canopy hole and make all electrical connections.
- 3.** Secure the canopy with 6-32 x 5/8 (2) threaded rods and 6-32 ball nut (2).
- 4.** Feed the wires through the stem and tighten the stem to the canopy
- 5.** For the other end of the threaded stem follow the steps in ET127



Components included in ET139

