



SAFETY INSTRUCTIONS

1. Do not use outdoors. 2. Equipment should be mounted securely in locations and at heights where it will not be readily subjected to tampering by unauthorized personnel. 3. Do not mount near gas or electric heaters. 4. Cap unused wires with enclosed wire nuts or other approved method. 5. Do not use this equipment for anything other than its intended use. 6. The use of accessory equipment not recommended by the manufacturer will void product listing and warranty and may cause an unsafe condition. 7. Use caution when servicing batteries. 8. Any service on this equipment should be performed by qualified personnel only. 9. Make sure wire terminations are secure and leads are properly tucked in appropriate wire channels. **CONSULT A QUALIFIED ELECTRICIAN BEFORE INSTALLING**



Caution:

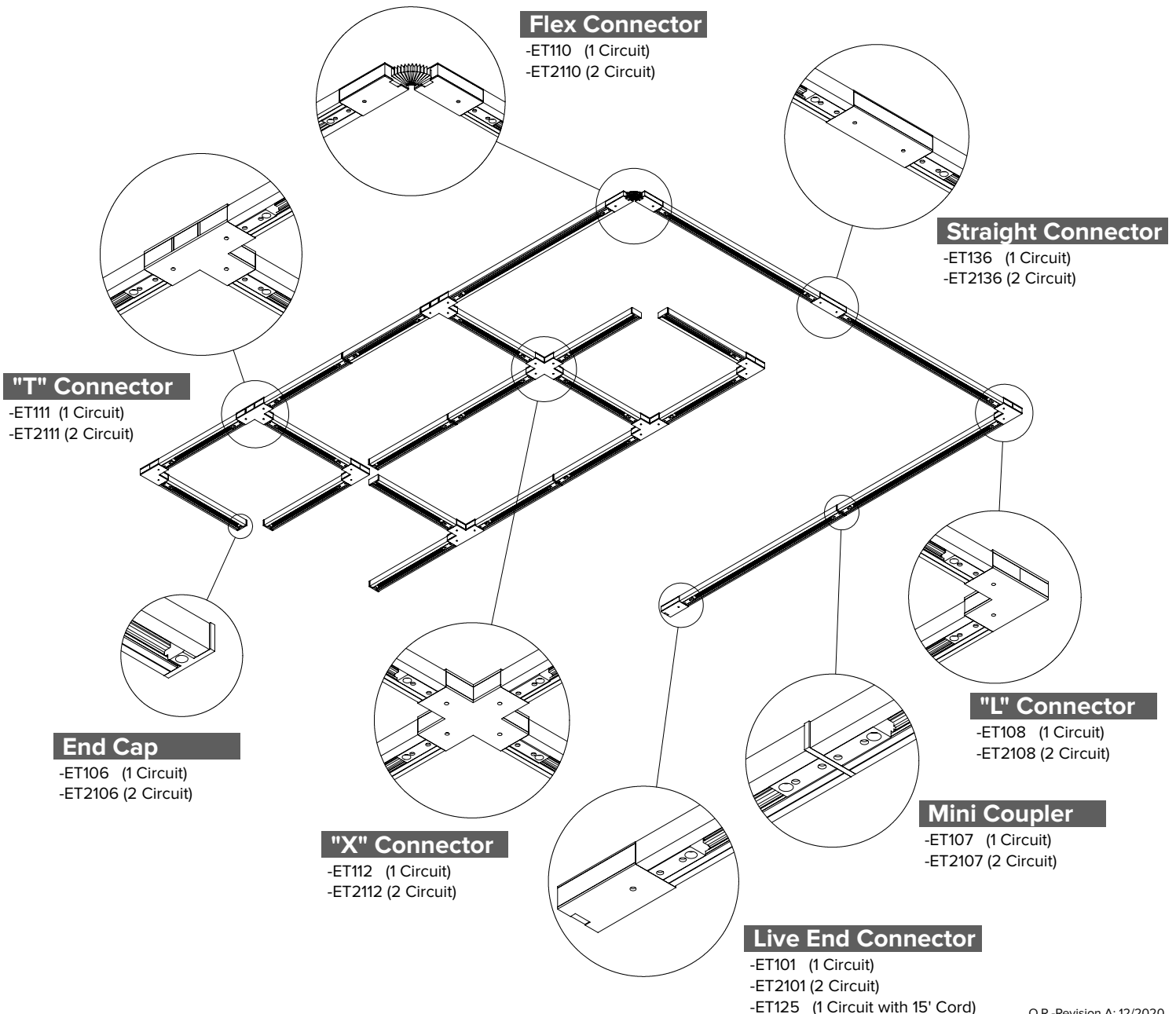
Disconnect AC power before servicing and installation. All electrical connections must be in accordance with NEC/CEC or your local code.



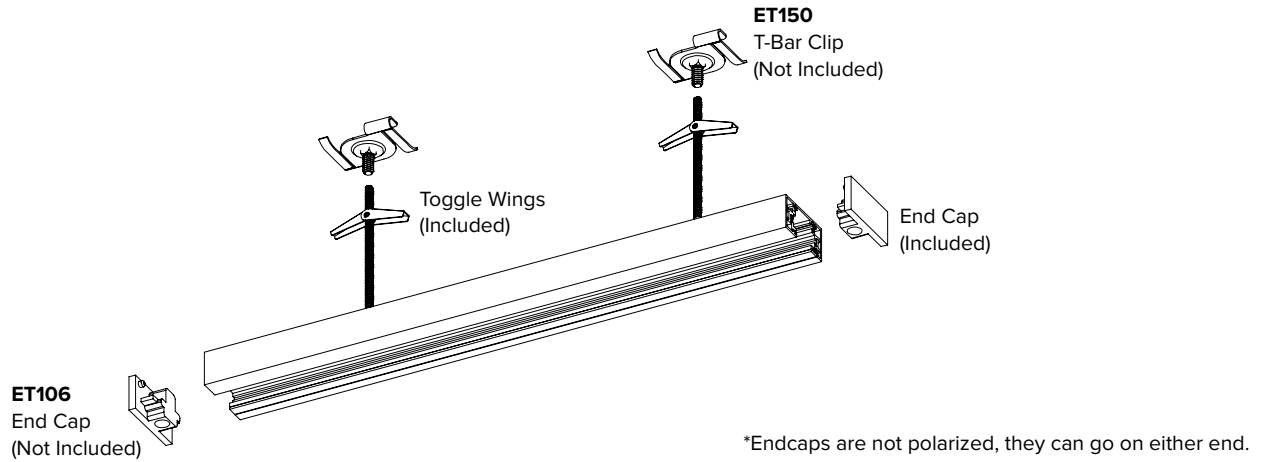
Caution:

Track system is polarized to accept power connectors only one way. This right hand connector will fit directly into the open end of the track system as shipped from the factory

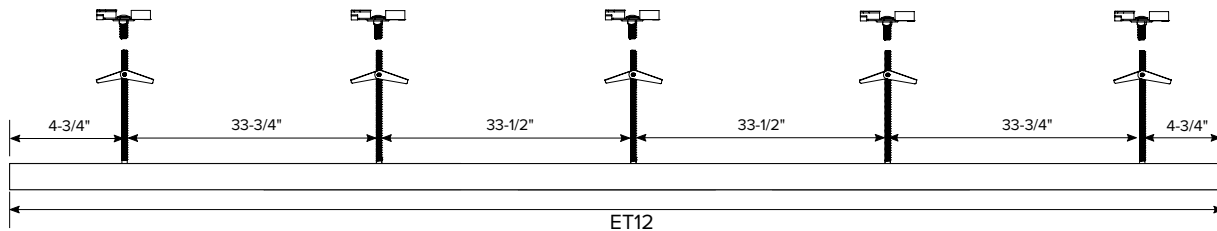
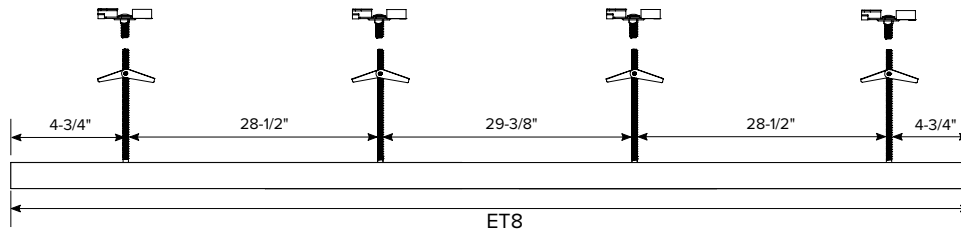
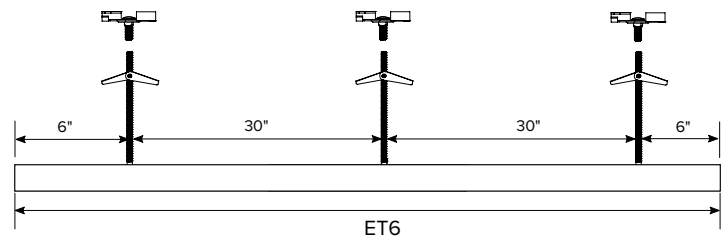
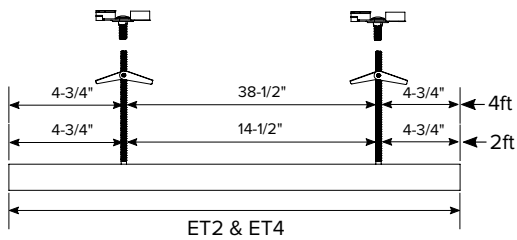
SURFACE MOUNT TRACK SYSTEM



TRACK RAIL OVERVIEW



MOUNTING TRACK



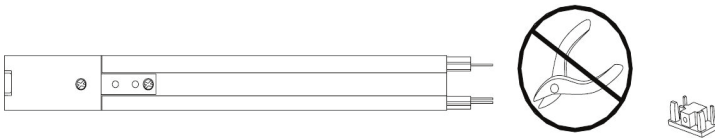
*Tolerance $\pm 1/4"$

INSTRUCTIONS STEPS

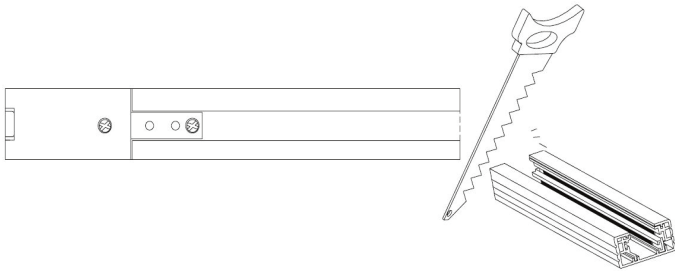
- 1.** Raise track assembly to ceiling. Mark mounting hole locations. Track support points should be not more than 4' apart. Use support points as shown above.
- 2.** Drill ceiling holes suitable for the fasteners you intend touse. Toggle wings (supplied) require 1/2 inch holes..
- 3.** If additional holes in track are needed, drill 5/32" holes through the centerline of track (locate holes at least 6" in from track ends).
- 4.** Insert bolts through track, and into the toggle wings, tighten 2 or 3 turns.
- 5.** Push toggle wings into ceiling holes. Do not fully tighten toggle bolts until all electrical connections are made.

FIELD CUTTING TRACK

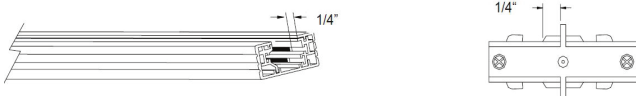
- 1.** Do not allow bus wires and insulation to protrude from the end and do not cut the wires and push insulation back into the track.



- 2.** Make a flush cut through track with a fine-toothed hacksaw. File any rough edges or flash. Brush out any remaining filings.



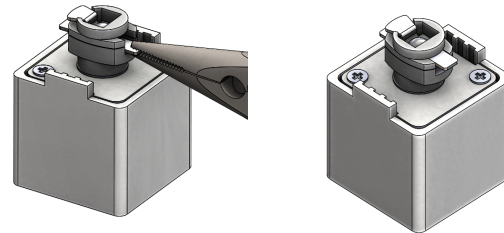
- 3.** Once the flush cut is made trim 1/4" off the end of the copper bus wire. This will allow sufficient clearance for the end cap for a mating connector. If not performed in this sequence the bus wires will be short and cause faulty contact.



- 4.** When mating to connector already at ceiling level make sure to support connectors at both ends.

Second Circuit Positioning

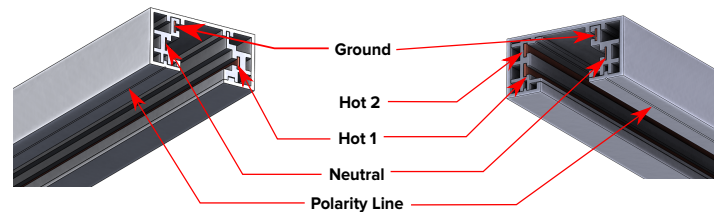
- 1.** Hold onto adapter box with one hand.
- 2.** Place the end of a flat head screw driver under the contact shown below or use a needle nose pliers and pullup the contact tab



Polarity

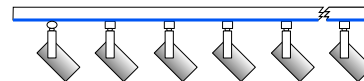
1-Circuit Track

2-Circuit Track

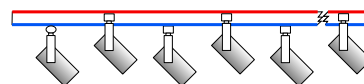


1 Circuit Vs 2 Circuit

1 Circuit Connection



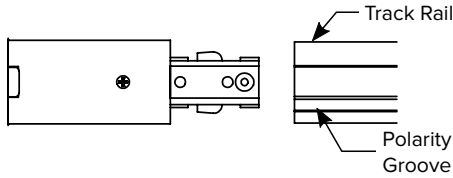
2 Circuit Connection



INSTRUCTIONS STEPS

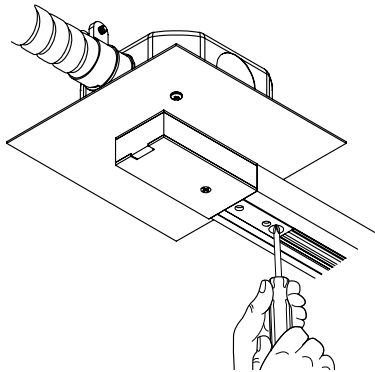
1.

Install connector into track rail. Arrows on connector must be on same side as polarity groove on the track sections. Secure track to ceiling surface.



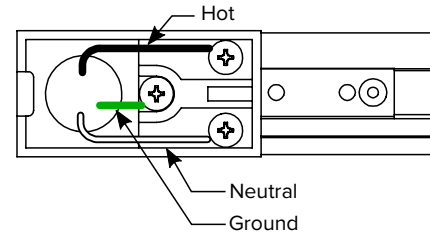
2.

Secure by tightening screw at the tip of the connector until snug. Do not over tighten since this may disturb the track.



3.

Pull wires into live end connector and attach "HOT" wires to terminate marked "1" and "2". Attach neutral wire to "NEUT" terminal. Finally attach ground wire to green ground screw marked "GND" provided on back plate.



INSTRUCTIONS STEPS

1.

Fasten mounting strap to outlet box. Connect ground wire.

2.

Locate track below outlet box in desired position then:

a) Rotate ground clip to accept track and push track into clip

b) Fasten track to ceiling following instructions supplied with the track section

c) Track ends must be terminated with either a dead end or a connector.

3.

Insert electrical adaptor into track, rotate 90 to locked position to make electrical contact.

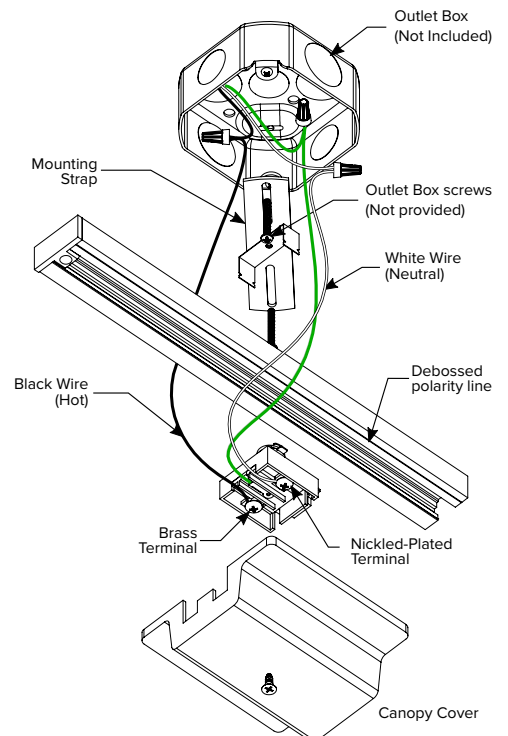
Note:

a) Polarity side of electrical adaptor (The side of grounding tab or marked "N") must point to track debossed polarity line.

b) Center line of electrical adaptor must be set on center line of outlet box.

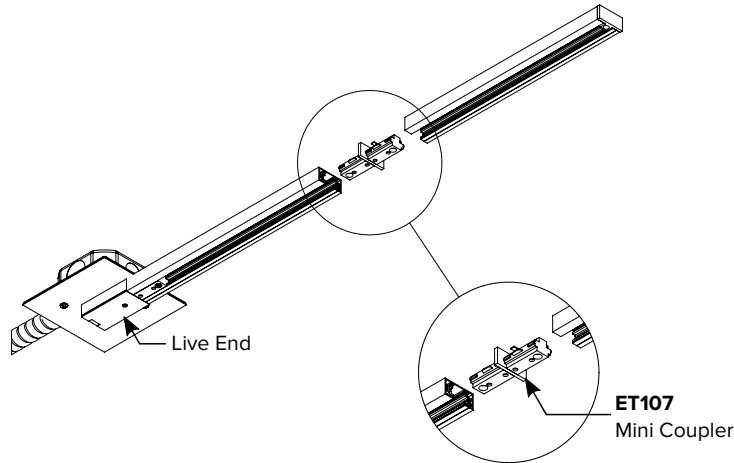
4.

Pull positive (Black) wire from outlet box and attach to brass screw terminal marked "P". Pull neutral (White) wire, on opposite of track, and attach to nickled-plated screw terminal marked "N". Push excess wire back into outlet box-wire must hug track side. Install cover and secure with screw.



INSTRUCTIONS STEPS

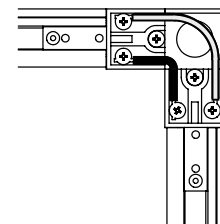
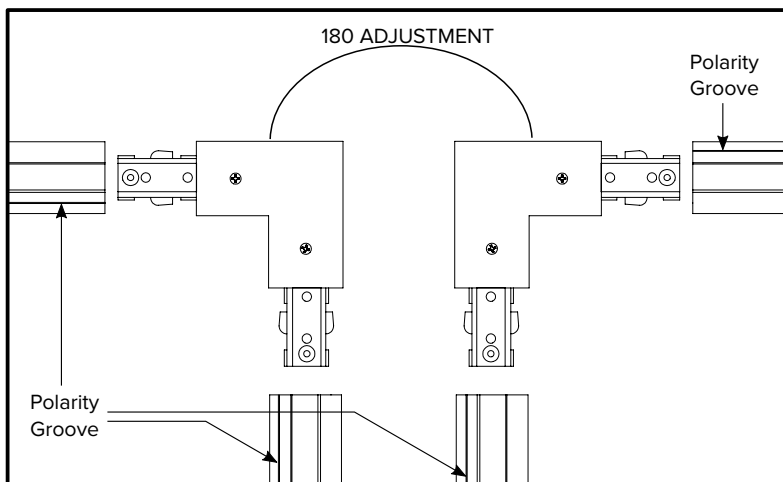
1. Remove the end cap and insert the mini coupler. Ground conductor must be on same side of sections of track rail being joined
2. Secure by tightening screw at the tip of the connector until snug. Do not over tighten since this may distort the track.



INSTRUCTIONS STEPS

Note: Ground contact (Silver) must be on the same side as the Polarity Groove of the track. If Polarity groove and Ground Contact does not line up remove 2-screws from cover, remove cover and adjust connector 180 as shown. Install cover and screws. (If used as a Power Feed DO NOT INSTALL COVER until wire connections are made as noted below).

1. Insert ends of connector into ends of track (Ground Contact must line up with Polarity Groove of track.) Secure to track by tightening lock screws at the tip of connector until snug. DO NOT OVER TIGHTEN. This may distort track



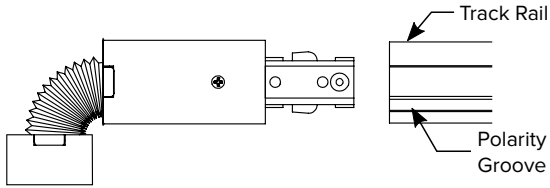
Note: If used as a Power Feed Point

1. Remove plastic plug button from back plate pull supply wires through center connect power supply colored (Line) to brass screw marked "P" white (Neutral) to nickel plated screw marked "N". Ground to green screw when required.

INSTRUCTIONS STEPS

1.

Locate small arrow on the flex connector body and align with polarity groove on the track.

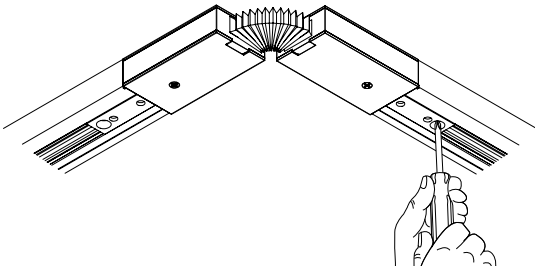


2.

Insert into the open end of the track and push fully into place..

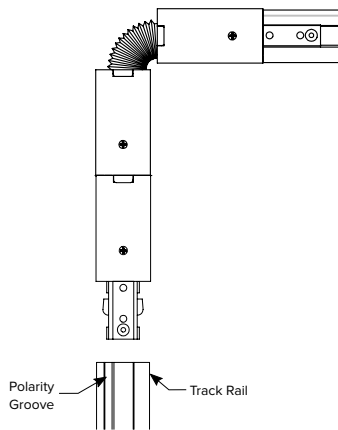
3.

Secure by tightening screw near the arrow.



4.

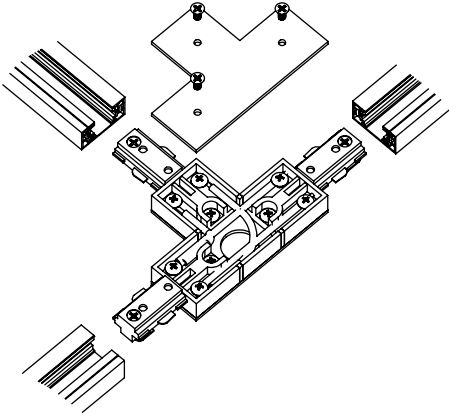
Remove plastic end cap from the other track and install the other end of the ET110 in a similar manner making certain that polarity groove on the track sections are in line.



INSTRUCTIONS STEPS (OPTION 1)

1.

To use as factory assembled inserts each end of connector into end of each track making sure silver ground contact is on the same side as polarity groove in track. (Track and connector are polarized) secure connector to track by tightening lock screws on each end of connector



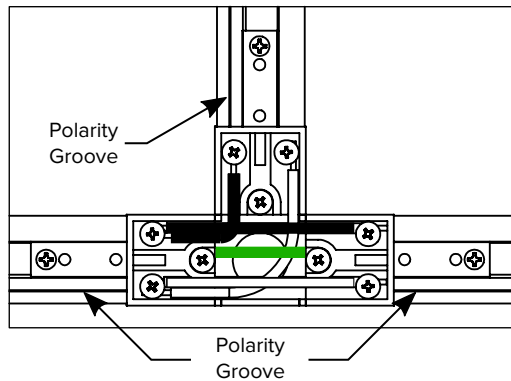
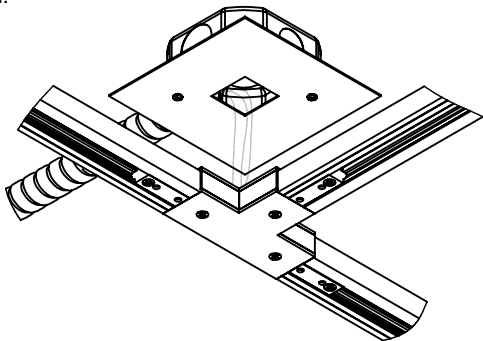
INSTRUCTIONS STEPS (OPTION 2)

Note:

If used as a Power Feed Point.

1.

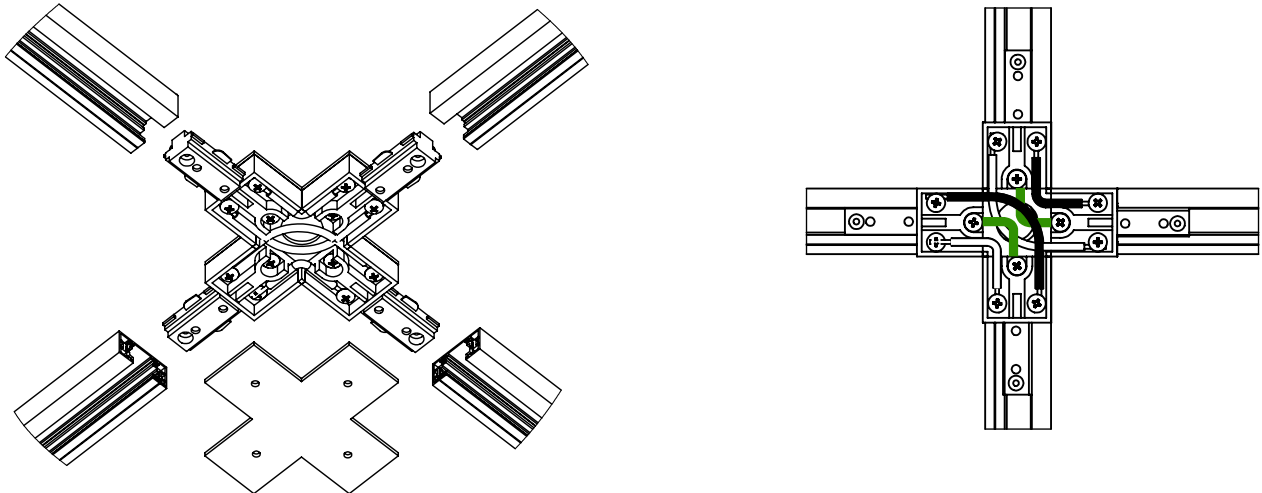
Remove KO from back plate pull supply wires through center connect power supply colored (Line) to brass screw marked "P" white (Neutral) to nickel plated screw marked "N". Ground to green screw when required.



INSTRUCTIONS STEPS (OPTION 1)

1.

To use as factory assembled inserts each end of connector into end of each track making sure silver ground contact is on the same side as polarity groove in track. (Track and connector are polarized) secure connector to track by tightening lock screws on each end of connector



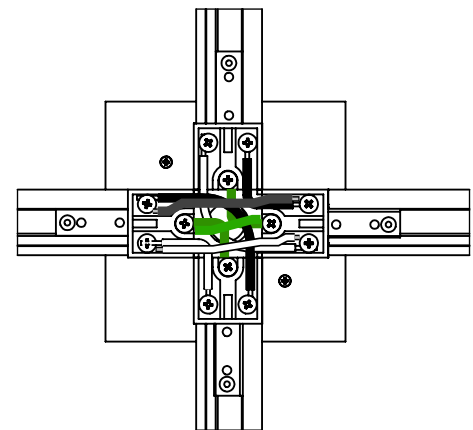
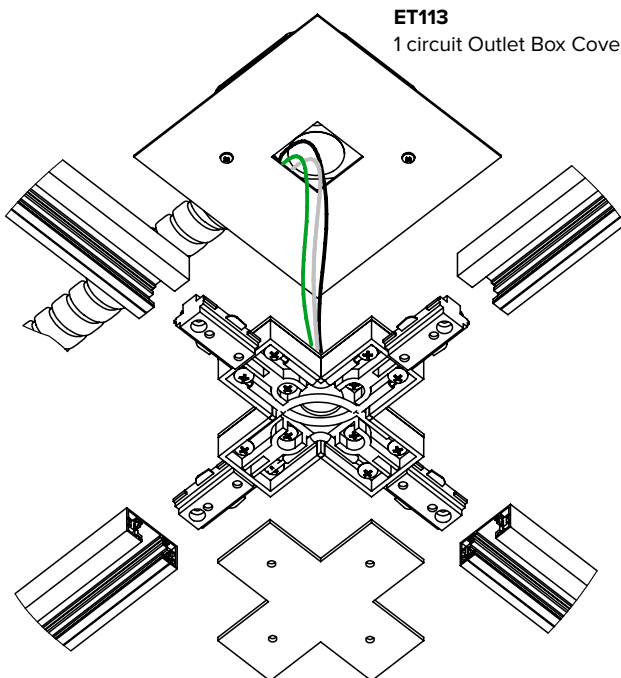
INSTRUCTIONS STEPS (OPTION 2)

Note:

If used as a Power Feed Point.

1.

Remove KO from back plate pull supply wires through center connect power supply colored (Line) to brass screw marked "P" white (Neutral) to nickel plated screw marked "N". Ground to green screw when required.

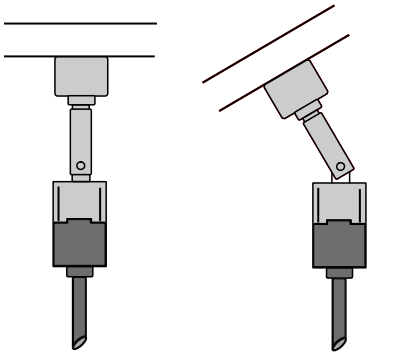
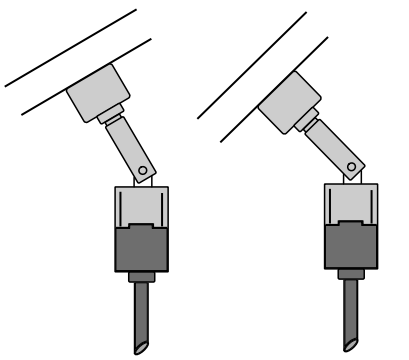
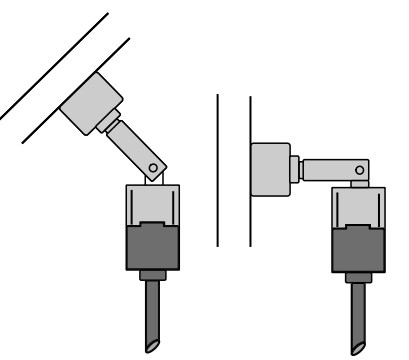


Note:

If four separate circuits are desired and feed wires are available from the outlet box remove jumpers and connect 1 circuit to each set of terminals.

INSTRUCTIONS STEPS

The ET115 allows the use of Elite extensions stems where track rail is mounted on a slope ceiling. The following weight limitations should be observed

 <p>Track rail from horizontal to 30°. Use Lampholder not more than 10 pounds.</p>	 <p>Track rail from 30° to 45°. Use lampholder not more than 8 pounds.</p>	 <p>Track rail from 45° to vertical. Use lampholder not more than 5 pounds.</p>
---	--	--

Note: The track rail itself may require reinforcing if multiple fixtures are used. To reinforce the track rail, drill additional holes in track rail and fasten with low profile connectors that will not interfere with the Slope adapter or other lampholders

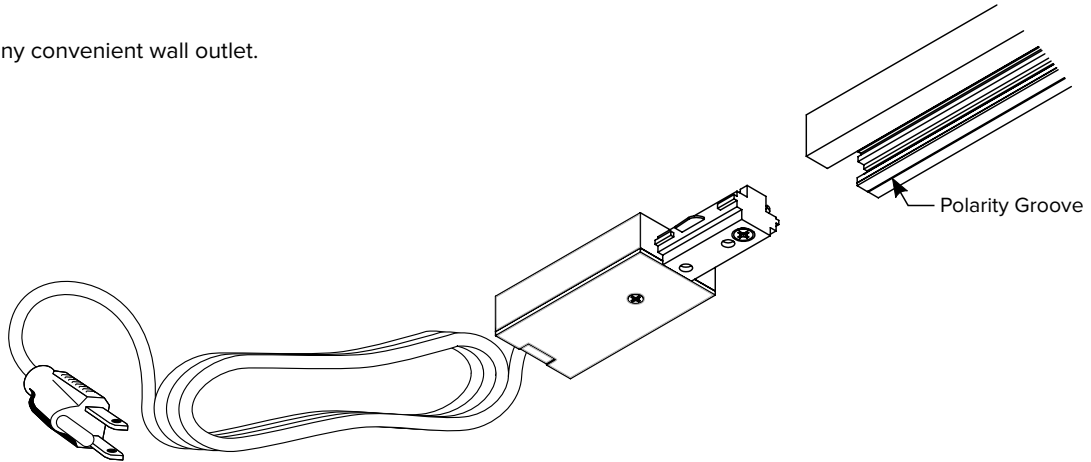
Caution: Ceiling and wall material may require special precautions to support the total weight.

INSTRUCTIONS STEPS

NOTE:

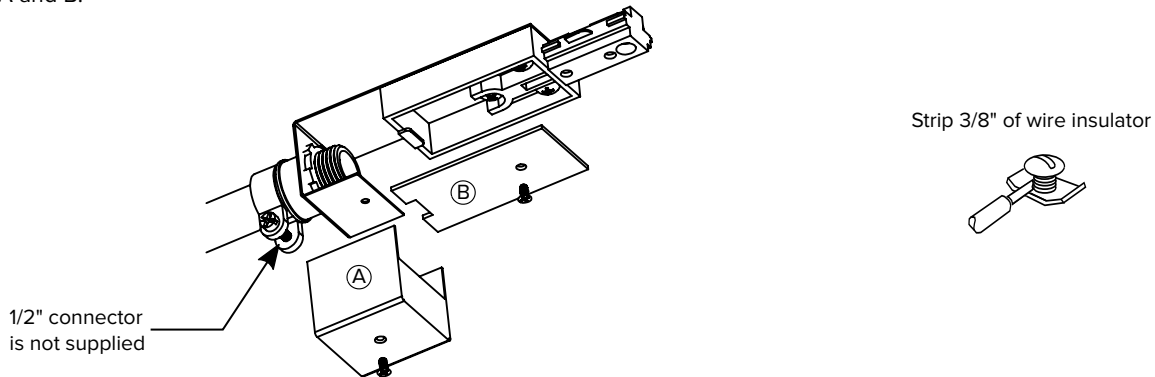
Polarity groove on track and ground conductor arrow on connector must be on same side

- 1.** Insert ends of connector into ends of track (Polarity arrow must line up with Polarity Groove of track). Secure to track by tightening lock screw at tip of connector until snug. **DO NOT OVER TIGHTEN**, this may distort track.
- 2.** Install track to wall or ceiling.
- 3.** Insert cord and plug into any convenient wall outlet.



INSTRUCTIONS STEPS

- 1.** Insert end of connector into the system. If connector does not slide easily into the track **DO NOT FORCE**. Track connector is polarized. Turn connector around and use opposite ends. Ground contact is on same side as polarity groove in track. Tighten lock screw at end of connector to secure to track.
- 2.** Remove covers A and B from conduit connectors. Attach 1/2" connectors (not supplied) and conduit to 7/8" diameter holes on end of track connector.
- 3.** Feed wires through conduit. Strip 3/8" of wire insulator. Connect black wire to brass screws marked "P", white wire to nickel screws marked "N" and ground to green screw when required.
- 4.** Install Covers A and B.





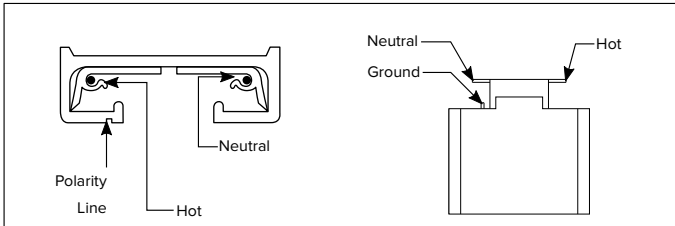
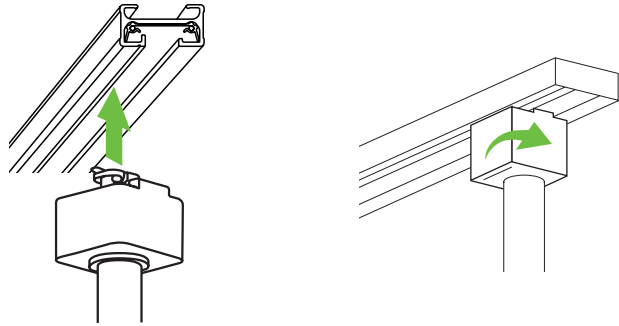
Note:

This is only the track adapter and it must be added to track head fixture, otherwise track head fixture will come with H-Style adapter.

INSTRUCTIONS STEPS

1.

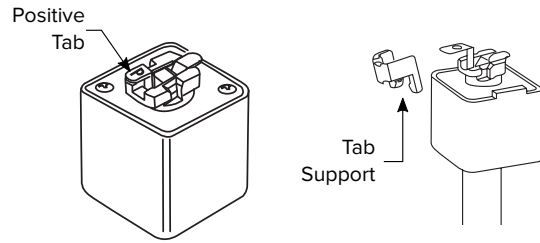
Insert the J-Style track adapter into the Juno track channel and rotate it 90 degrees.



2-Circuit Track Installation

1.

For a 2-Circuit track raised the tab with a flat head screw driver, or with a needle nose.



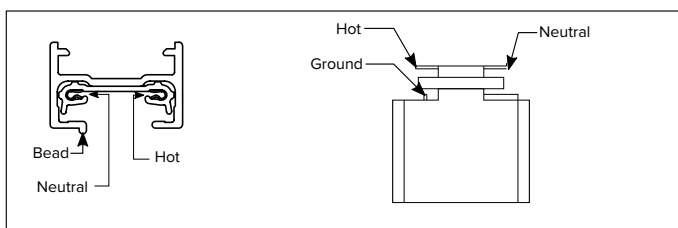
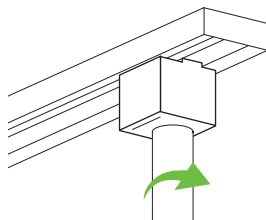
2.

Repeat the steps as 1-Circuit Track.

INSTRUCTIONS STEPS

1.

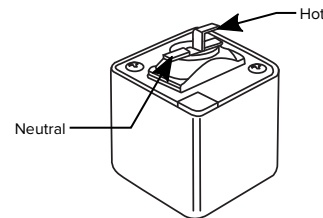
Insert the L-Style track adapter into the Lytespan track channel and rotate it 90 degrees.



2-Circuit Track Installation

1.

For a 2-Circuit track raised the tab with a flat head screw driver, or with a needle nose.



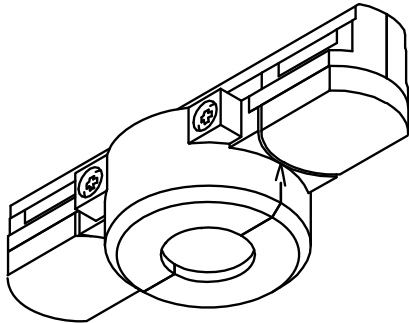
2.

Repeat the steps as 1-Circuit Track.



Note:

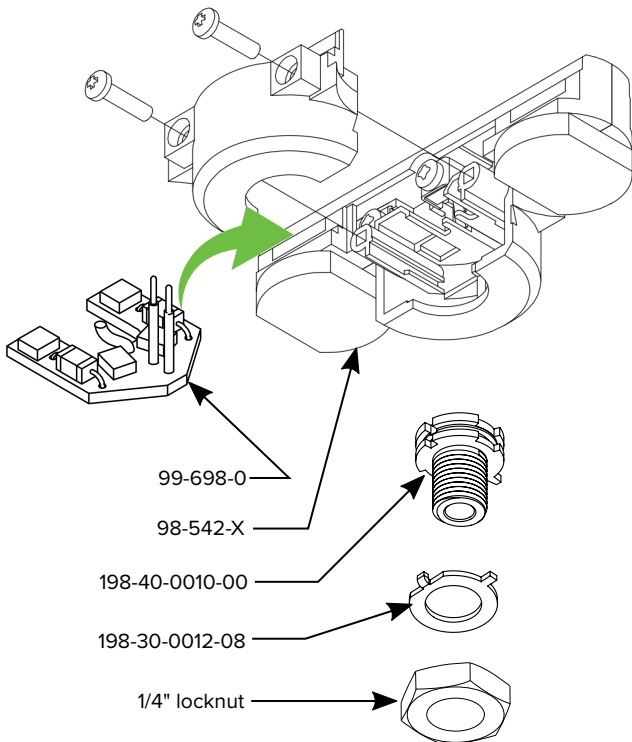
This is only the track adapter and it must be added to track head fixture, otherwise track head fixture will come with H-Style adapter. Eutrac data adapters must be used with Eutrac data bus track channel (EUTRAC Track 238).



Overview

1.

Insert EUTRAC MultiAdapter into the Eutrac 238 track channel.

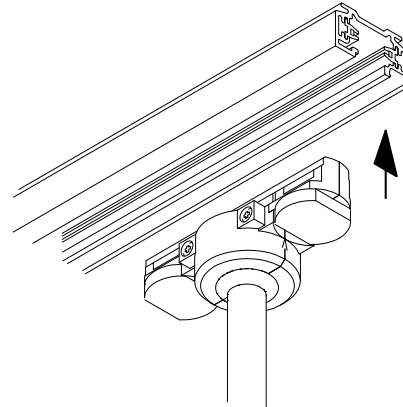


*Collar might change depending on the track head fixture

Instructions Steps

1.

Insert EUTRAC MultiAdapter into the Eutrac 238 track channel.

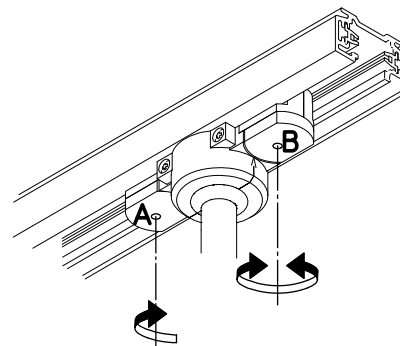


2.

Turn Knob A clockwise 90 degrees to connect the adapter to the neutral circuit.

Turn Knob B counter clockwise 90 degrees to connect the adapter to circuit 1

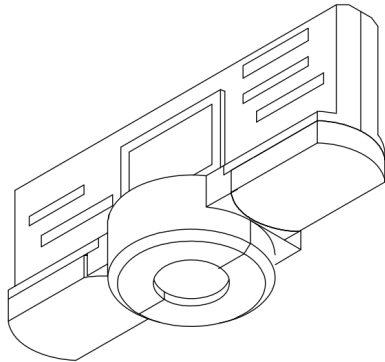
Turn Knob B clockwise 90 to connect the adapter to the neutral circuit.





Note:

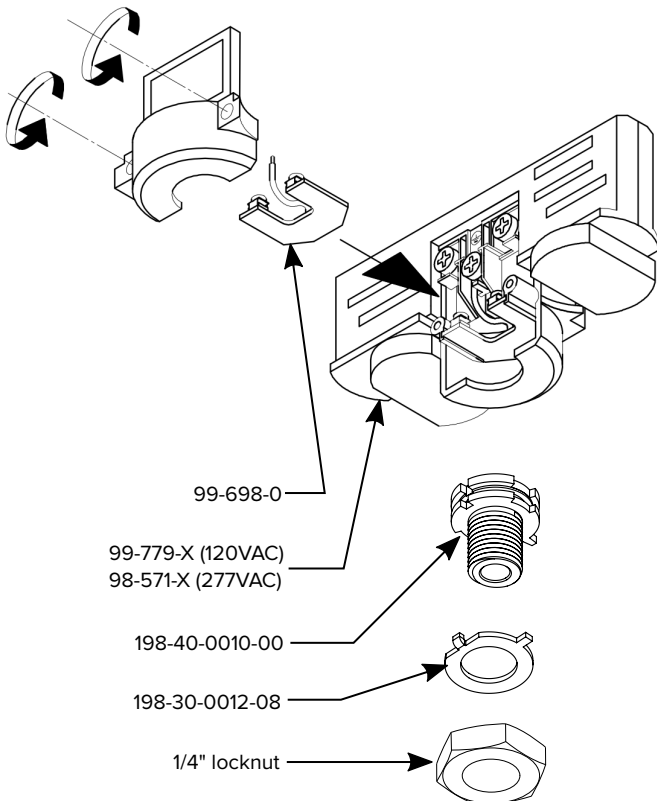
This is only the track adapter and it must be added to track head fixture, otherwise track head fixture will come with H-Style adapter. Eutrac data adapters must be used with Eutrac data bus track channel (EUTRAC Track 233/244).



Overview

1.

Insert EUTRAC MultiAdapter into the Eutrac 233/244 track channel.

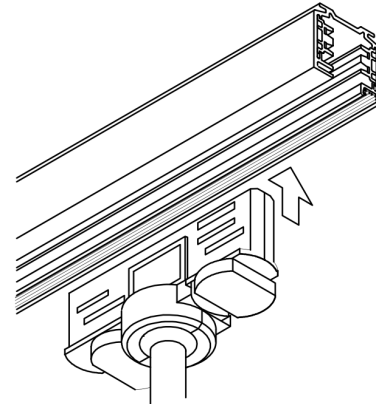


*Collar might change depending on the track head fixture

Instructions Steps

1.

Insert EUTRAC MultiAdapter into the Eutrac 233/244 track channel.



2.

Turn Knob A clockwise 90 degrees for mechanical fixing.

Turn Knob B counter clockwise 90 degrees to connect the adapter to circuit 1

Turn Knob B clockwise 90 to connect the adapter to circuit 2.

