

IMPORTANT:

When relamping, only use lamps specified in the exit sign.
Using other lamp types may result in unsafe conditions.
The normal operation of the unit should take effect.

IMPORTANT SAFEGUARDS

When using electrical equipment, basic safety precaution should always be followed, including the following:

READ AND FOLLOW ALL SAFETY INSTRUCTIONS

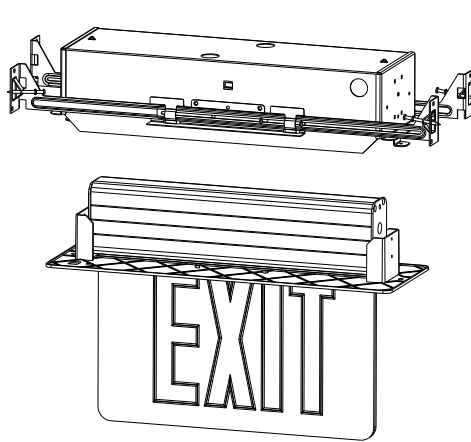
1. Do not use outdoors.
2. Do not let power supply cords touch hot surfaces.
3. Do not mount near gas or electric heaters.
4. Equipment should be mounted in locations and at heights where it will not be subject to tampering by unauthorized personnel.
5. The use of accessory equipment not recommended by the manufacturer may cause an unsafe condition.
6. Do not use this equipment for other than its intended use.
7. Before wiring to power supply, turn off electricity at fuse or circuit breaker.
8. Installation and servicing should be performed by qualified personnel.

SAVE THESE INSTRUCTIONS

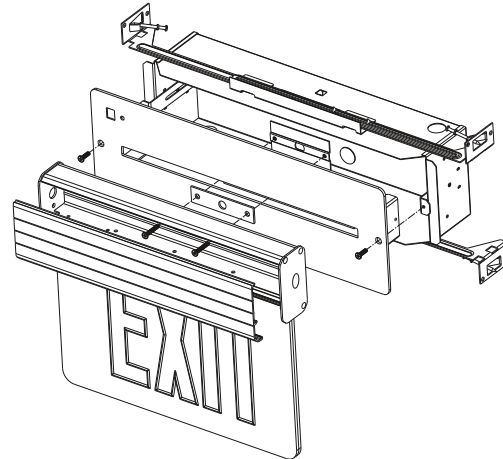
INSTALLATION

Choose your mounting configuration (Ceiling Mount or Back Mount).

Adjustable bar hangers are provided to fit against wood joists or T-bars of suspended ceilings.



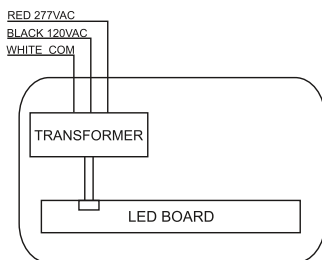
Ceiling Mount



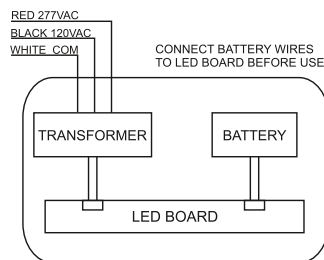
Back Mount

WIRING

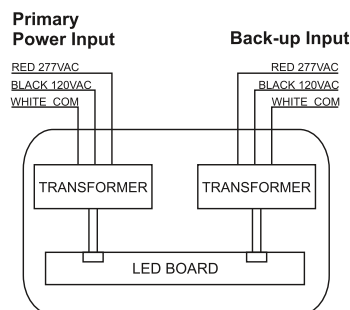
1. Connect AC power supply according to the proper wiring diagram.
2. Connect the RED lead to a 277VAC power supply or the BLACK lead to a 120VAC power supply.
3. Connect WHITE lead to Neutral and Green lead to Ground.
4. Properly insulate the unused lead with a wire nut or other approved means.



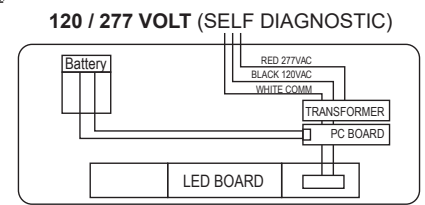
ELX-609
AC INPUT EXIT SIGN



ELX-606
WITH EMERGENCY BATTERY BACK-UP



ELX-613
DUAL CIRCUIT EXIT SIGN



ELX-618
BATTERY BACK-UP &
SELF-DIAGNOSTIC