

INSTALLATION INSTRUCTIONS

SAFETY PRECAUTIONS

For safety, read and understand instructions completely before starting installation. Electricity should be turned off at the fuse or the circuit breaker box before installing the fixture. All electrical connections must be in accordance with N. E. C. or your local code.

ASSEMBLY INSTRUCTIONS

1. Preparing for installation
Disconnect electrical power before installing or servicing any part of this fixture.
2. This product SHALL be surface mounted with junction box or non-combustible surface above 4 feet (1.2 meter) high. User should prepare necessary accessories and spare parts (not provided) including junction box and screws.

CONSULT A QUALIFIED ELECTRICIAN BEFORE INSTALLING

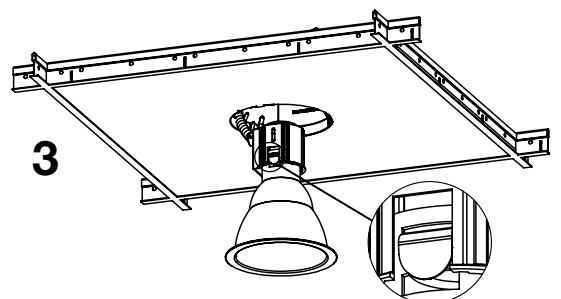
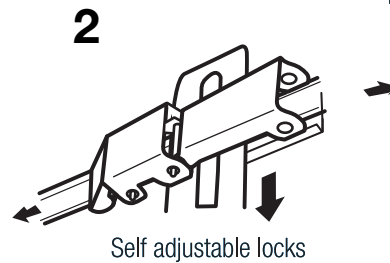
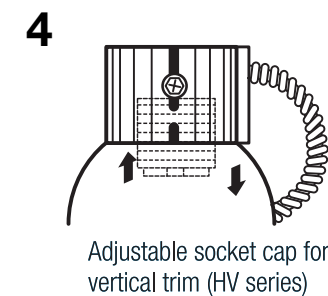
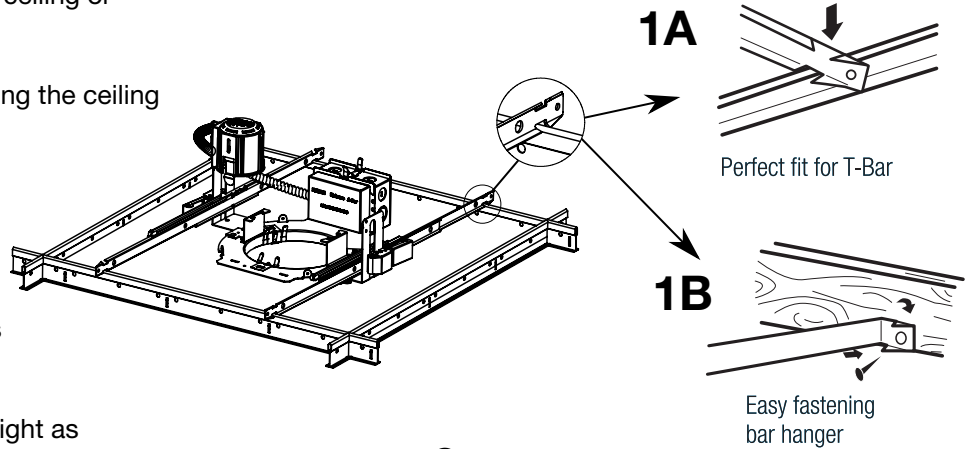
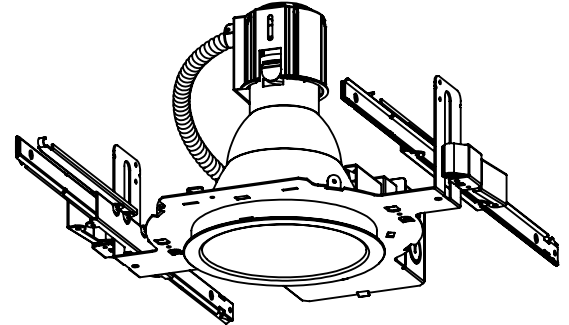
Step 1: Mount the frame either to the t-bar ceiling or studs as shown in Figure 1A or Figure 1B.

Step 2: Adjust the adjustable locks according the ceiling thickness and t-bar height.

Step 3: Ensure that power to the fixture's circuit is turned off. Connect power to fixture.

Step 4: Insert the trim by pressing the clips as shown in Figure 3.

Step 5: Adjust the socket to the desired height as shown in Figure 4.



To insert the trim press the clips

CAUTION: RISK OF ELECTRIC SHOCK
DISCONNECT POWER BEFORE CONNECTING THE FIXTURE.
FAIL TO DO SO MAY PERMANENTLY DAMAGE THE LEDS.

WARNING:
DO NOT REMOVE OR ATTEMP TO REMOVE LEDS.