

## INSTALLATION INSTRUCTIONS

# AP-CEDAR-LED



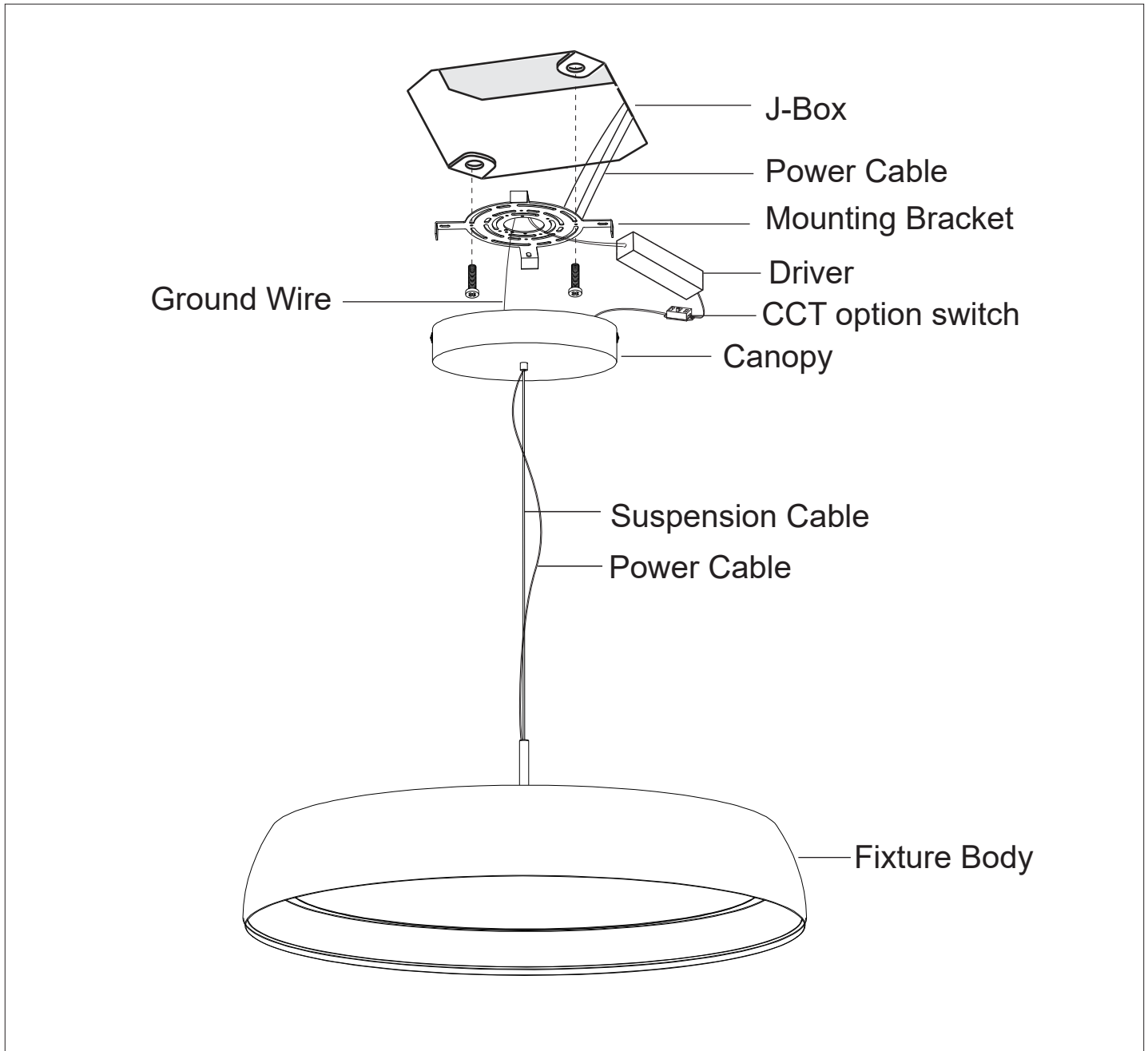
### Safety & Warnings

1. Carefully read all instructions before proceeding.
2. Follow all national and local electrical codes when installing.
3. This product should be installed and serviced by a qualified, licensed electrician.
4. Use only with a compatible Class 2 LED driver. This product has not been tested with LED drivers that do not meet Class 2 voltage and energy limitations.
5. Do not install in wet areas. Suitable for dry and damp locations only.
6. Ensure the power is turned off before installing or servicing the fixture.
7. To prevent fire and overheating, ensure all connections are secure.



**WARNING: ELECTRIC SHOCK HAZARD!**  
Serious injury or death may occur. Before installation or servicing,  
turn off the power at the circuit breaker.

## Standard Suspension Diagram



### External Components

- 4" Square/Octagonal J-Box
- Wood Screws, #10, 1.5" long

**Not Included.**

### Tools

- Drill
- #2 phillips bit
- Wire strippers
- 1/16" Hex Key (for Ceiling)
- 5/64" Hex Key (for Joining)

**Not Included.**

### Specifications

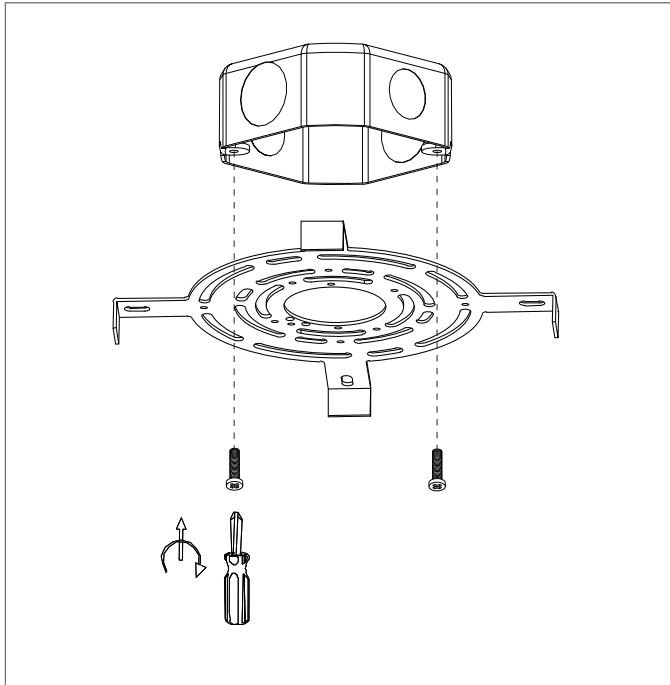
Input Voltage / Frequency:  
See product label

Rated Power:  
See product drawing

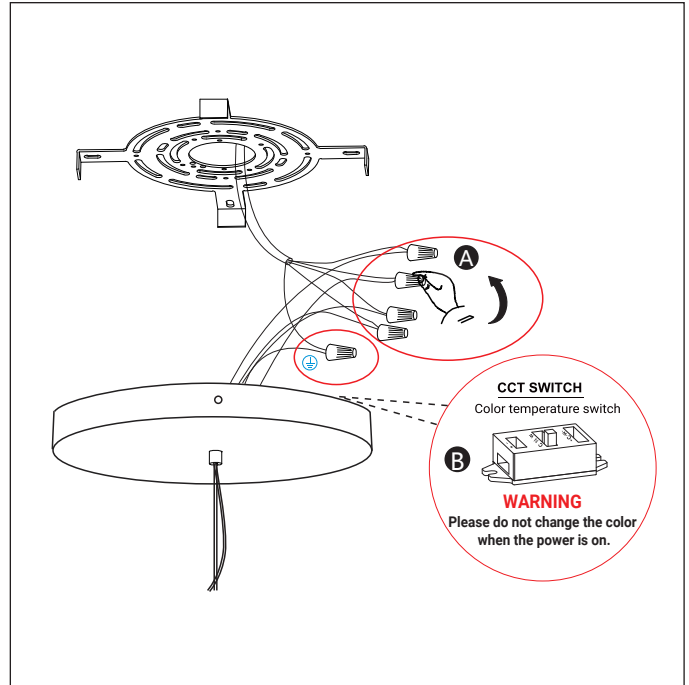
Ambient Temperature:  
-4° – 120°F (20° – 50°C)

Environment:  
Dry and damp locations

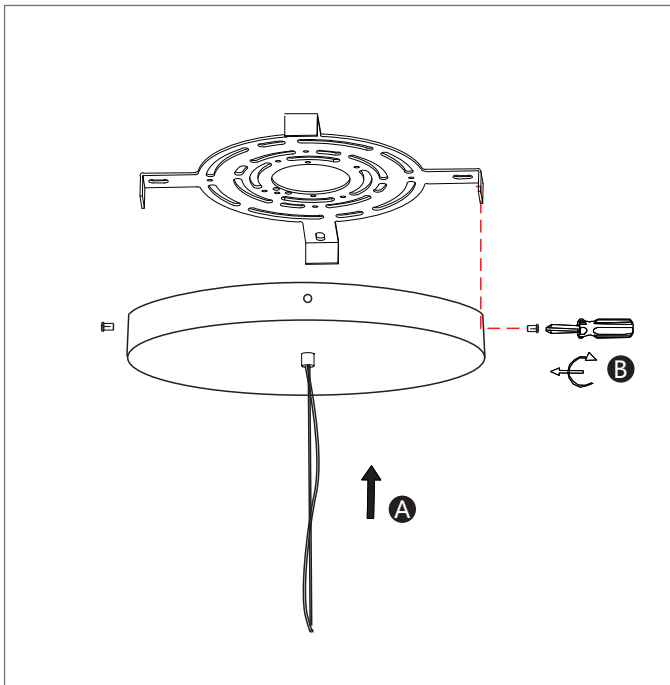
## INSTALLATION



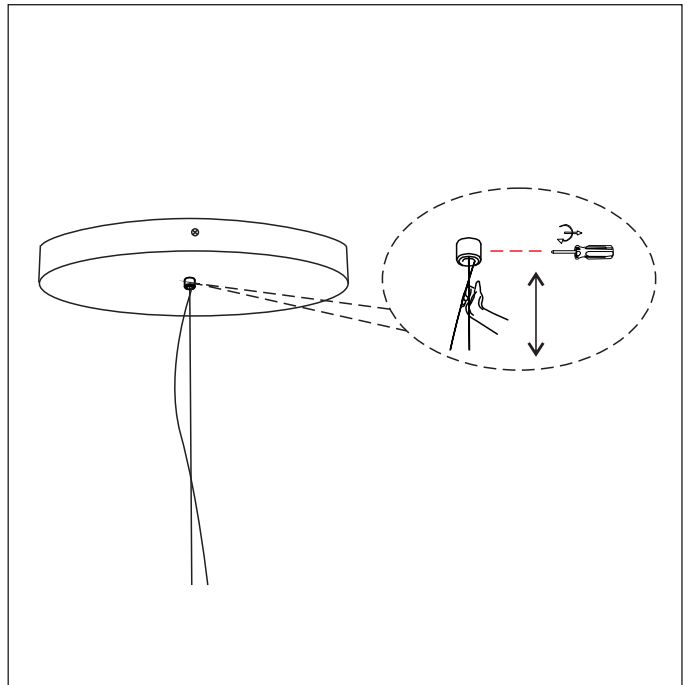
**1** Secure the J-Box and mounting bracket with screws.



**2** A. Connect the power wires and secure them with a connector cap. B. Choose the color temperature when the fixture is powered off.



**3** Attach and secure the canopy to the bracket with screws.



**4** A. Loosen the screw on the copper part with a screwdriver and adjust the wire height.

## WIRING DIAGRAM

### 0-10V Dimming/Triac Dimmable

