



SAFETY INSTRUCTIONS

1. Do not use outdoors. 2. Equipment should be mounted securely in locations and at heights where it will not be readily subjected to tampering by unauthorized personnel. 3. Do not mount near gas or electric heaters. 4. Cap unused wires with enclosed wire nuts or other approved method. 5. Do not use this equipment for anything other than its intended use. 6. The use of accessory equipment not recommended by the manufacturer will void product listing and warranty and may cause an unsafe condition. 7. Use caution when servicing batteries. 8. Any service on this equipment should be performed by qualified personnel only. 9. Make sure wire terminations are secure and leads are properly tucked in appropriate wire channels. **CONSULT A QUALIFIED ELECTRICIAN BEFORE INSTALLING**

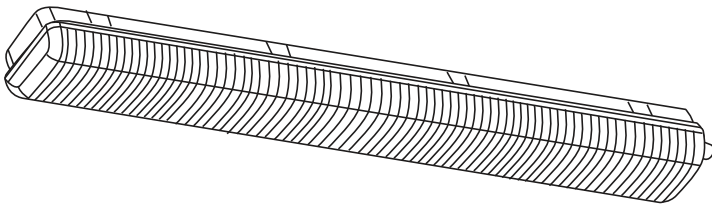


Caution:

Disconnect AC power before servicing and installation. All electrical connections must be in accordance with NEC/CEC or your local code.

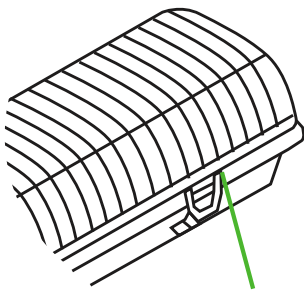
2.

Position mounting brackets so they will fall within 6" to 8" from the end of the enclosure. Hinge housing onto one side of the mounting bracket & rotate into position.



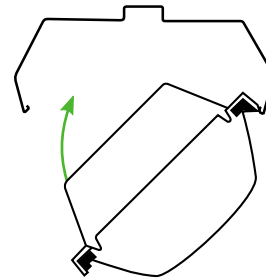
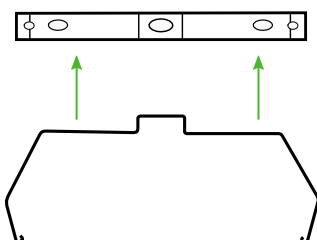
LENS REMOVAL

1. Locate and unhook the latches that hold the lens to the body.



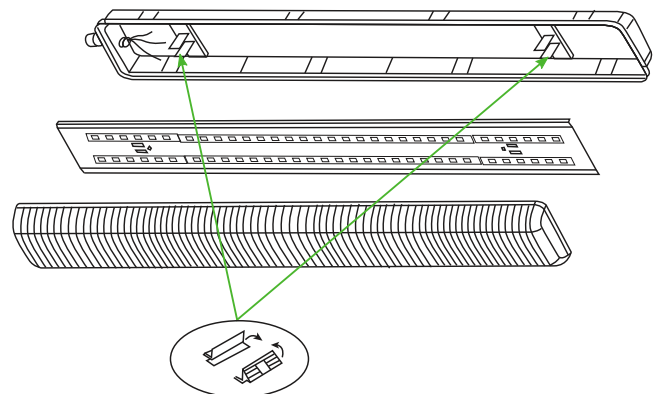
MOUNTING BRACKETS

1. Securely attach the mounting bracket to a flat surface for flush mount or a threaded rod for suspension mount (rod not provided by Elite)



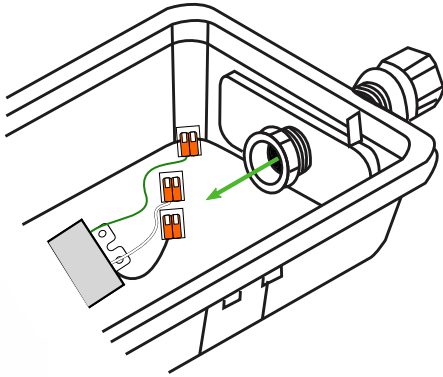
GEAR TRAY REMOVAL

1. Squeeze the tray at to drop the LED module tray for access to wiring compartment.

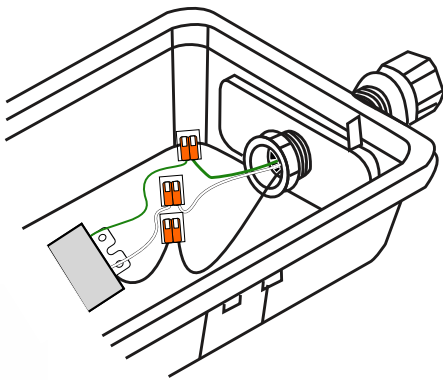


2.

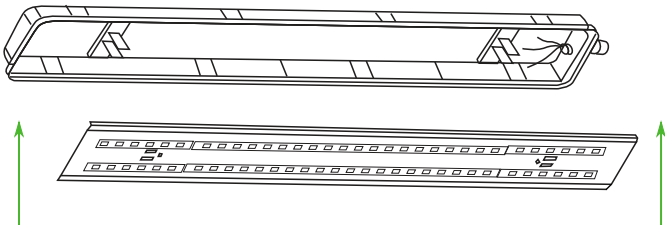
Feed power into the fixture by the side of the housing via the 1/2" opening.



- 3.** Make all electrical connections, Load to Load, Neutral to Neutral and Ground to Ground.



- 4.** Reinsert the geartray by matching up the openings on the geartray with the traylats. Gently push the geartray until the traylats lock into place.



- 5.** Center the lens so there is equal space between the housing and the lens on each end re-engage the lens latches to secure the lens to the housing.

