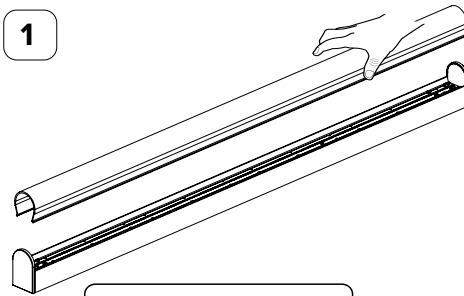


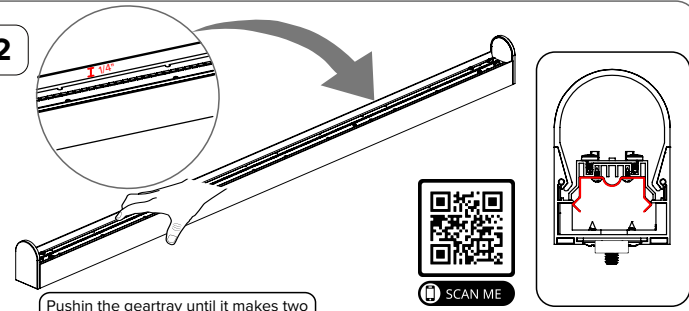
CHECK BEFORE INSTALLING

1



Remove the Lens from the luminaire

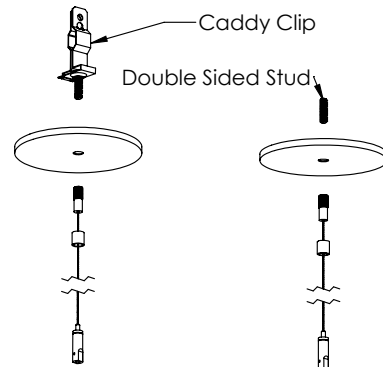
2



Pushin the geartray until it makes two clicks and is 1/4" below the edge

MOUNTING

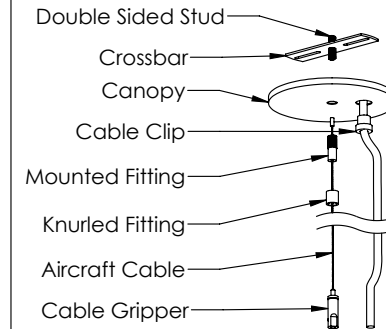
NON-POWER FEED SIDE



GRID CEILING

SHEET ROCK CEILING

POWER FEED SIDE



Caution: Disconnect power before installation. Product must be installed in accordance with NEC or your local electrical code. If you are not familiar with these codes and requirements, consult a qualified electrician. Do not handle energized luminaire with wet hands, when standing on wet or damp surfaces, or in water.



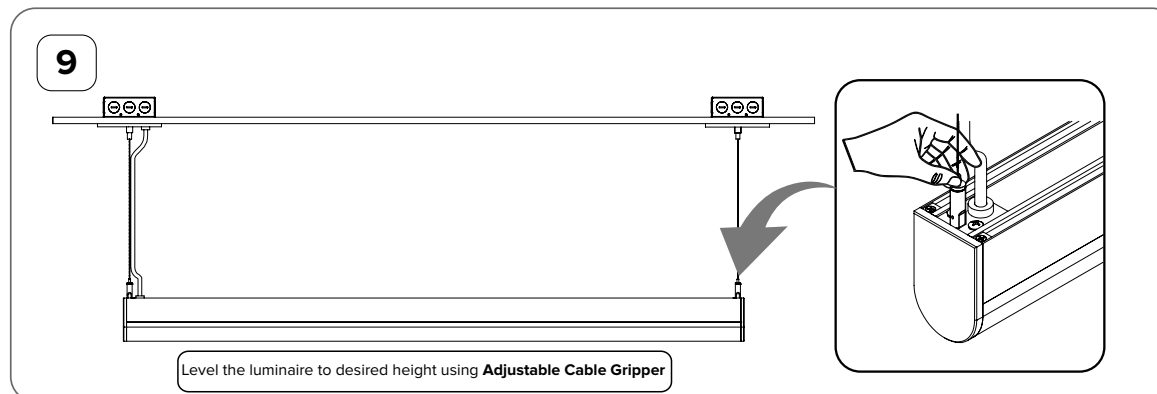
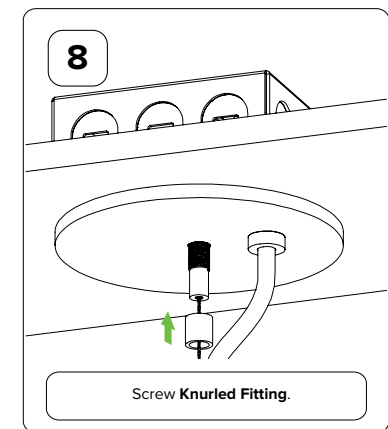
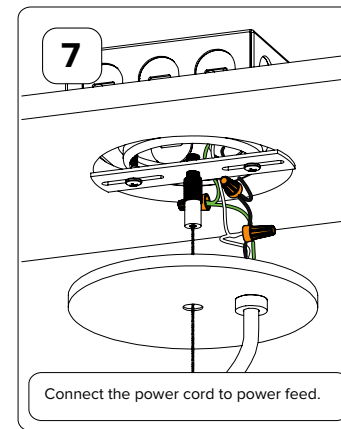
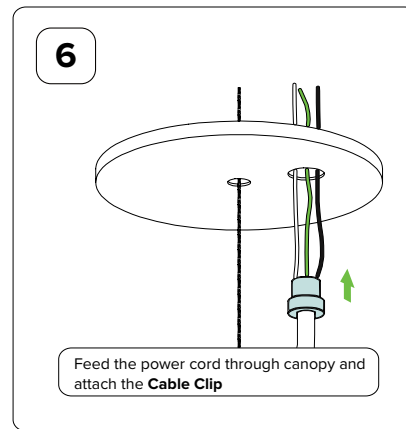
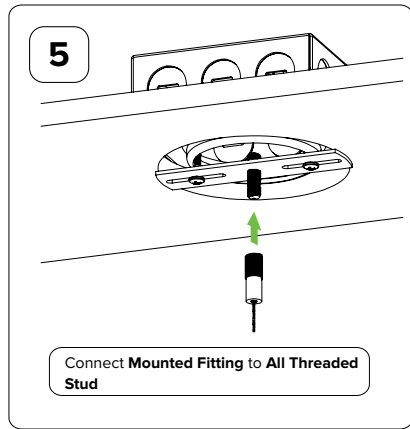
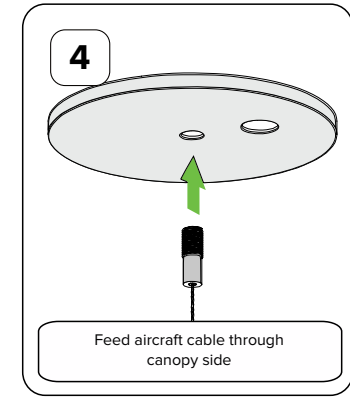
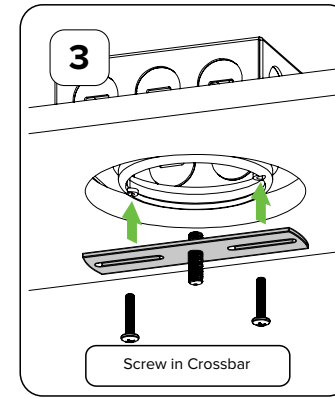
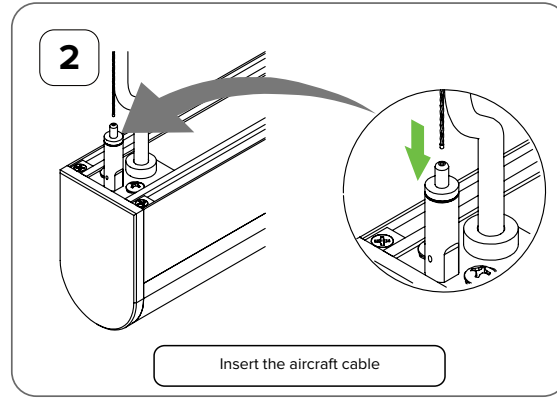
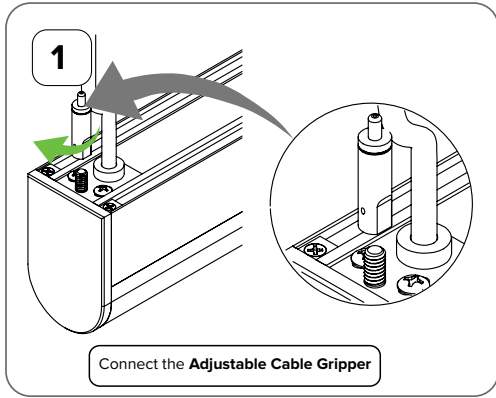
SAFETY INSTRUCTIONS

1. Equipment should be mounted securely in locations and at heights where it will not be readily subjected to tampering by unauthorized personnel. 2. Do not mount near gas or electric heaters. 3. Cap unused wires with enclosed wire nuts or other approved method. 4. Do not use this equipment for anything other than its intended use. 5. The use of accessory equipment not recommended by the manufacturer will void product listing and warranty and may cause an unsafe condition. 6. Use caution when servicing batteries. 7. Any service on this equipment should be performed by qualified personnel only. 8. Make sure wire terminations are secure and leads are properly tucked in appropriate wire channels.

CONSULT A QUALIFIED ELECTRICIAN BEFORE INSTALLING

Catalog# 2/4/8-SLEEK-R-LED
O.R. - Rev A - 4/6/20

INSTRUCTIONS STEPS



INSTRUCTIONS STEPS FOR CONTINUOUS ROW MOUNTING

