



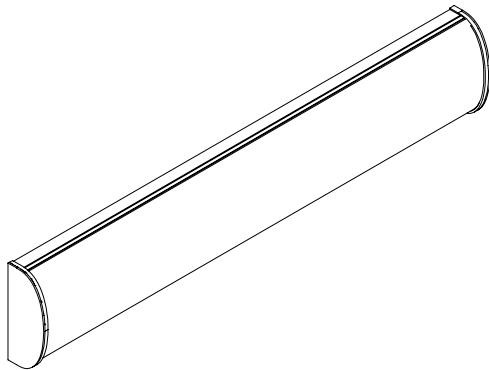
### SAFETY INSTRUCTIONS

1. Equipment should be mounted securely in locations and at heights where it will not be readily subjected to tampering by unauthorized personnel. 2. Do not mount near gas or electric heaters. 3. Cap unused wires with enclosed wire nuts or other approved method. 4. Do not use this equipment for anything other than its intended use. 5. The use of accessory equipment not recommended by the manufacturer will void product listing and warranty and may cause an unsafe condition. 6. Use caution when servicing batteries. 7. Any service on this equipment should be performed by qualified personnel only. 8. Make sure wire terminations are secure and leads are properly tucked in appropriate wire channels. **CONSULT A QUALIFIED ELECTRICIAN BEFORE INSTALLING**



#### Caution:

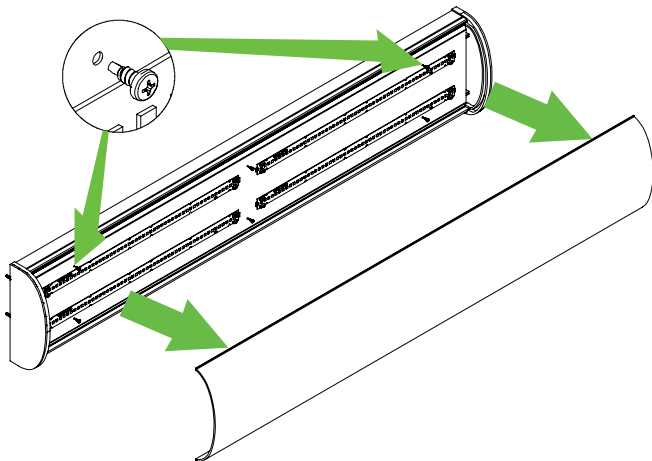
Disconnect AC power before servicing and installation. All electrical connections must be in accordance with NEC/CEC or your local code.



### INSTALLATION STEPS

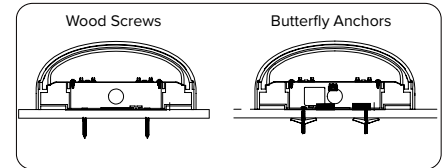
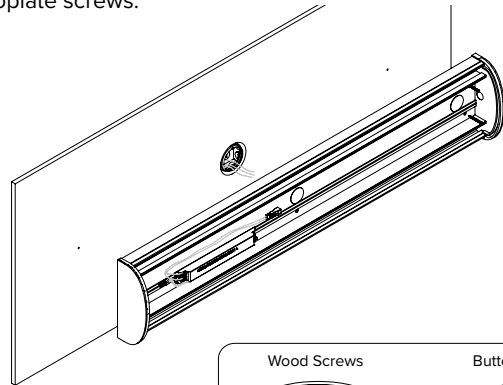
1.

Remove the lens and geartray by unscrewing the screws



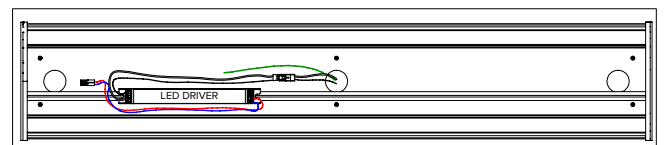
2.

Mount the luminaire either to ceiling or wall and secure it by using the appropriate screws.



3.

Connect white to white; black to black; and green or bare copper wire.



4.

Replace geartray and lens back. Connect back the orange connector from the LED boards

