

When using electrical equipment, always adhere to basic safety precautions including the following:

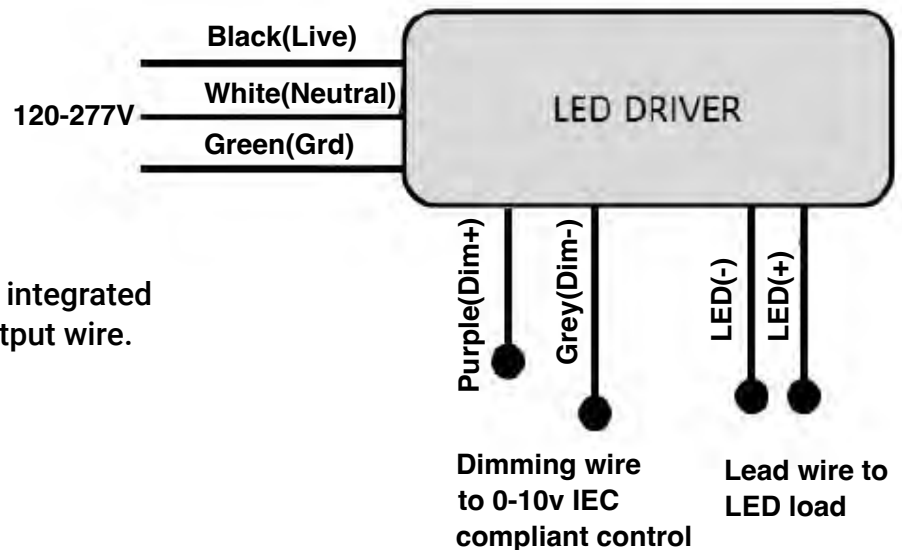
SAFETY WARNING

- To minimize the possibility of death, personal harm, or damage to property resulting from fire, electric shock, falling components, cuts/abrasions, and other potential dangers, carefully review all warnings and instructions provided along with the fixture packaging and labels. Adhere to these general precautions before initiating installation, servicing, or regular maintenance of this equipment.
- For commercial installation, servicing, and maintenance of lighting units, it is imperative to engage the expertise of a certified and licensed electrician. If uncertainties arise regarding the setup or maintenance of the lighting units, seek guidance from a qualified licensed electrician and cross-reference your local electrical regulations.
- To prevent wiring abrasion or damage, refrain from exposing wiring to sharp edges of sheet metal or other pointed objects.
- Refrain from creating new openings or modifying existing ones in a wiring enclosure or electrical components during the process of kit installation.
- Prior to wiring the fixture to the power source, deactivate the electrical supply at the fuse box or circuit breaker.
- Always turn off the power when performing any maintenance tasks.
- Confirm the accuracy of the supply voltage by comparing it with the details on the luminaire label.
- All wiring connections must be securely enclosed using wire connectors that are approved by UL.
- When the light source is active, avoid direct eye exposure.
- Be cautious of small components and dispose of packing materials properly, as they could pose risks to children.
- Risk of burns: Disconnect the power and allow the fixture to cool before attempting to adjust its positioning.

NOTICE

- Green ground screw provided in proper location. Do not relocate.
- Minimum 90° supply conductors.
- Specifications and dimensions subject to change without notice.
- Suitable for Dry or Damp location.

GENERAL WIRING DIAGRAM



Note: The CCT-adjustable function integrated Driver will have one more "LED" output wire.

SURFACE MOUNTING

Before installation, ensure power supply is disconnected. Cables must be connected in accordance to instruction and proper standing rules.

Fig. 1

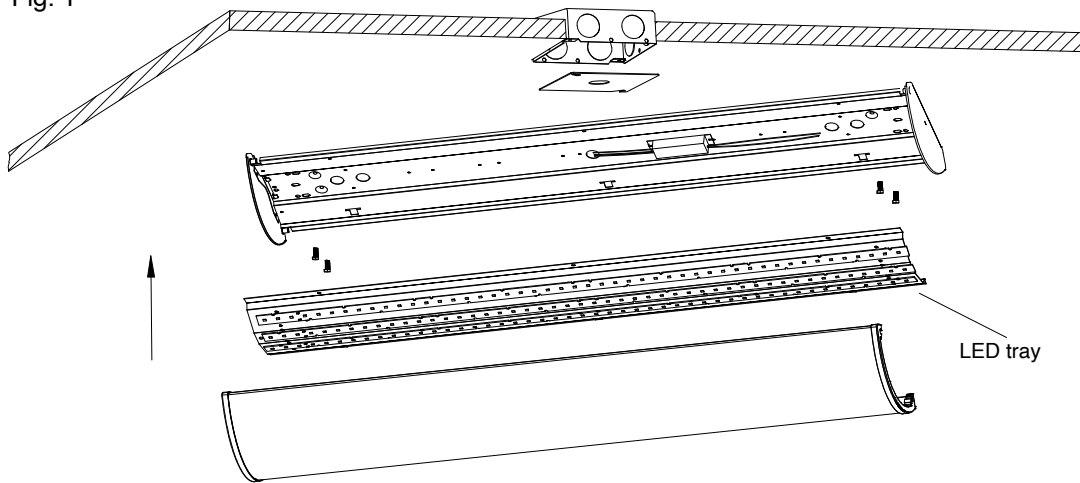


Fig. 1A

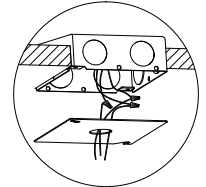
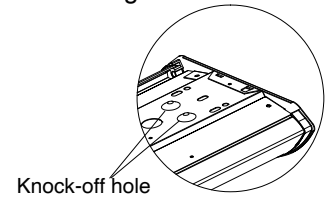


Fig. 1B



Installation Steps:

- Step 1: Turn off the power at the main fuse/breaker box. Carefully open carton and remove fixture from carton.
- Step 2: Remove lens by pulling it off from the rivets on endcap.(Fig. 1)
- Step 3: Remove the LED tray by removing the screws.(Fig. 1)
- Step 4: Use appropriate UL approved wire connectors as required by code to complete wiring with main power as shown. (Fig. 1A)
- Step 5: Secure the fixture with screws using the existing knock-off holes on both ends of the fixture housing. (Figure 1B)
- Step 6: Reattach the LED tray and then hook lens to one side of housing and snap lens into place.

SUSPENDED MOUNTING (CHAIN)

Fig. 2

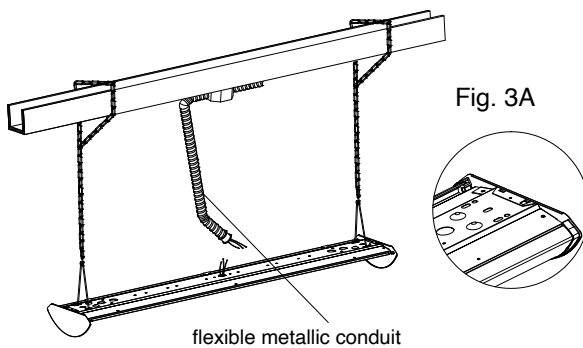
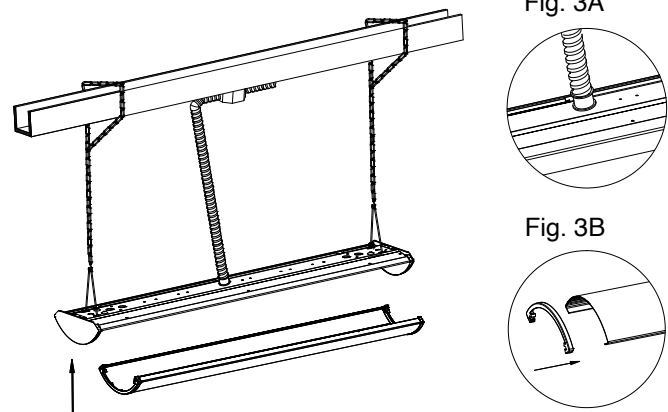


Fig. 3



Installation Steps:

- 1.Remove product from packaging.
- 2.Carefully remove lens by pulling it off from the rivets on endcap, then release LED tray by removing screws.(Fig. 1)
- 3.For mounting, attach V-hooks to the fixture housing and hang the fixture as shown.(Fig. 3)
- 4.Pull supply wires from conduit (not supplied) through Center Access Knockout Hole of housing. Use appropriate UL approved wire connectors as required by code to complete wiring with main power. (Fig. 3 and Fig. 3A)
- 5.Reattach the LED tray and ensure all wires and connectors are covered behind the LED tray. Mount plastic trims to the lens (Fig. 3B), then hook lens to one side of housing and snap lens into place.