



SAFETY INSTRUCTIONS

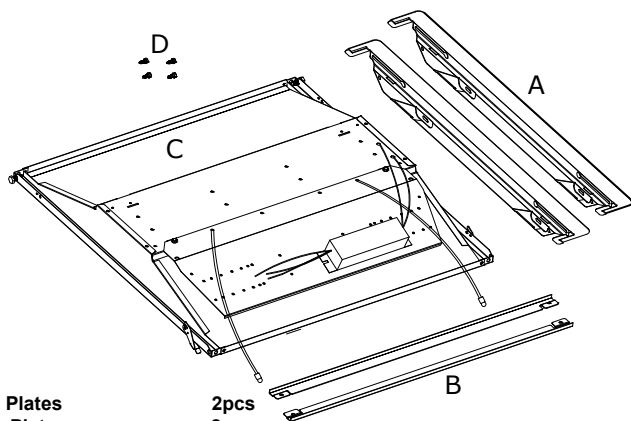
1. Do not use outdoors. 2. Equipment should be mounted securely in locations and at heights where it will not be readily subjected to tampering by unauthorized personnel. 3. Do not mount near gas or electric heaters. 4. Cap unused wires with enclosed wire nuts or other approved method. 5. Do not use this equipment for anything other than its intended use. 6. The use of accessory equipment not recommended by the manufacturer will void product listing and warranty and may cause an unsafe condition. 7. Use caution when servicing batteries. 8. Any service on this equipment should be performed by qualified personnel only. 9. Make sure wire terminations are secure and leads are properly tucked in appropriate wire channels.



Caution:

Disconnect AC power before servicing and installation. All electrical connections must be in accordance with NEC/CEC or your local code.

OVHP-RTK-LED COMPONENTS



- A: End Plates 2pcs
- B: Side Plates 2pcs
- C: Door Assembly body 1pc
- D: Self-tapping screws 4pcs

INSTALLATION INSTRUCTIONS

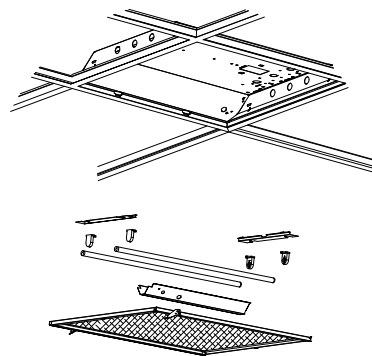
Notice:

- Green ground screw provided in proper location. Do not relocate.
- Minimum 90° supply conductors.
- Specifications and dimensions subject to change without notice.
- Suitable for Dry or Damp location, Type IC

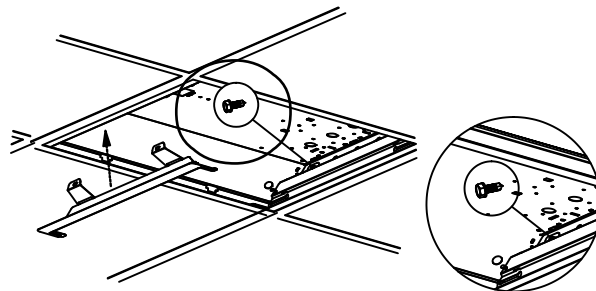
The existing fluorescent luminaries housing shall be larger than dimensions described in below table:

Housing Designation	Overall Inner Dimension
2' x 2'	24-1/64" x 23-15/16" x 3-5/64"
2' x 4'	48-1/32" x 23-15/16" x 3-5/64"

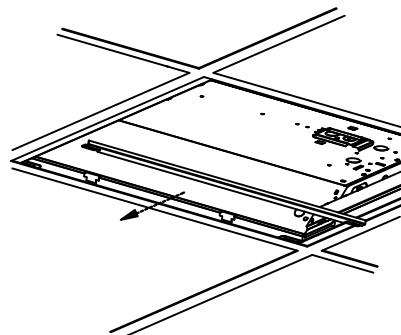
1. Remove diffuser, fluorescent tubes and all other internal components. Disconnect fluorescent ballast from power wires. Remove socket from the bracket, and keep the bracket for LED retrofit installation.



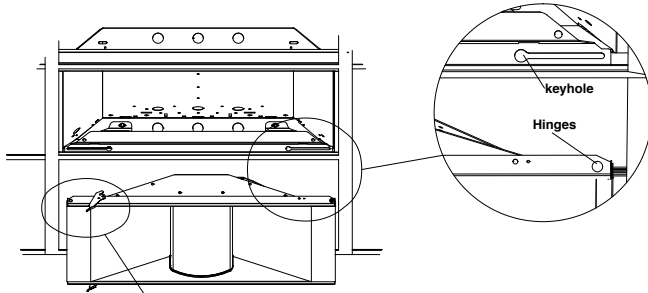
2. Install LED panel end brackets to each end of the existing fixture by gently lifting it and placing LED panel end brackets between the fixture and T-grid. Secure the LED panel brackets to the existing fixture using the provided #8x1/2" self-drilling screws.



3. If you are not pleased with the gap between the fixture and T-grid, you may install LED panel side brackets between the fixture and T-grid, there are two tabs to allow for placing the side brackets into the slot of end brackets.

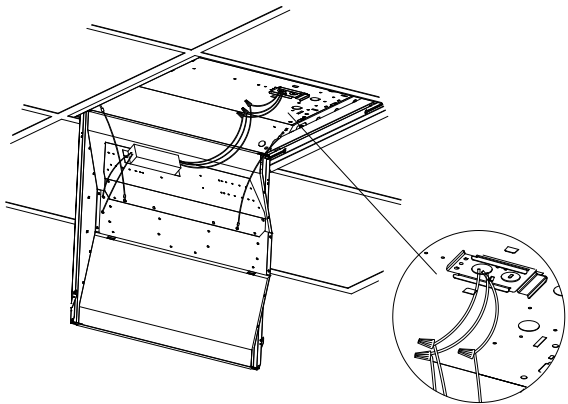


- 4.** Locate the door assembly body onto the keyholes of end brackets, and then slide the door assembly body horizontally to the end of slots.

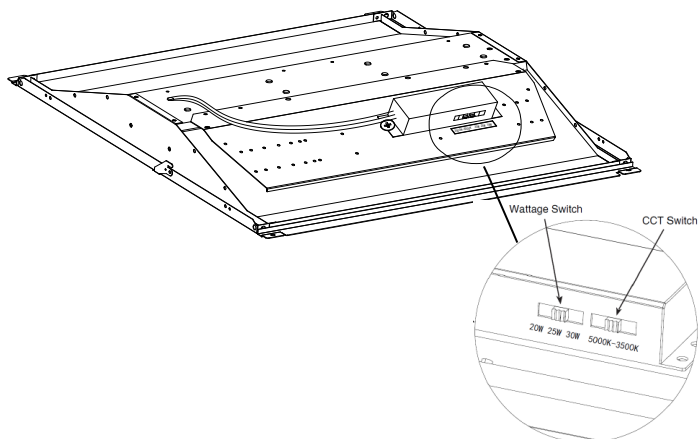


Locking Latch

- 5.** Hook the safety cables into the holes positioned the end brackets. Use the provided wire caps to connect the wire leads of the troffer kits to the main power leads.



- 6.** Adjust the color temperature and lumen output respectively by the two DIP switch buttons integrated into the driver. Each DIP switch is accommodated with 3 options (left, middle and right), corresponding to 3 color temperatures and 3 powers respectively, which can perform the desired color temperature and lumen output combination.



- 7.** Secure the door assembly body by lock the latches riveted on each end of the assembled door frame.

