

INSTALLATION INSTRUCTIONS

WARNING - Risk of fire or electric shock. Luminaire wiring and electrical parts may be damaged when drilling for installation of LED retrofit kit. Check for enclosed wiring and components.

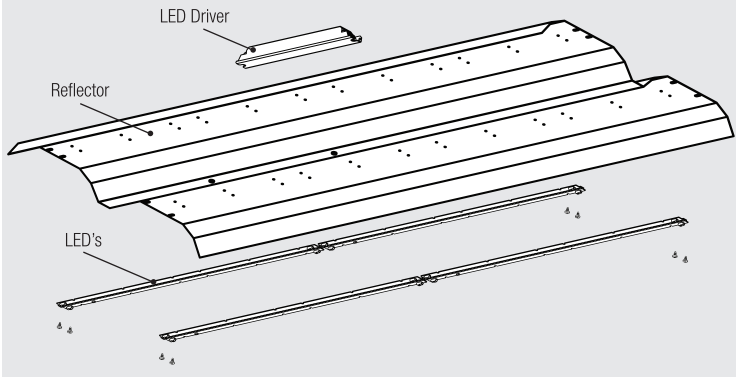
WARNING - Risk of fire or electric shock. LED Retrofit Kit installation requires knowledge of luminaires electrical systems. If not qualified, do not attempt installation. Contact a qualified electrician.

WARNING - Risk of fire or electric shock. Install this kit only in luminaires that have the construction features and dimensions shown in the photographs and/or drawings and where the input rating of the retrofit kit does not exceed the input rating of the luminaire.

WARNING - To prevent wiring damage or abrasion, do not expose wiring to edges of sheet metal or other sharp objects.

DO NOT MAKE OR ALTER ANY OPEN HOLES IN AN ENCLOSURE OF WIRING OR ELECTRICAL COMPONENTS DURING KIT INSTALLATION.

ORTK-LED COMPONENTS:



1. Remove diffuser, fluorescent tubes and all other internal components. Disconnect fluorescent ballast from power wires (**Fig. 1**). Remove socket from the bracket, and keep the bracket for LED retrofit installation (**Fig. 1A**).

2. Use safety "S" hook provided to hang Retrofit Kit to the edge of existing fixture. Once secure, attach existing power wires to Retrofit Kit power wires (Black to Black, White to White and Green to Green) (**Fig. 2**). **For 0-10V dimming installation, please refer to the wiring diagram below.**

3. Install the fasteners or self-tapping screws provided with the kit to secure the Retrofit kit to the existing socket bracket (**Fig. 3**).

4. Reinstall fixture diffuser (**Fig. 4**).

Fig. 1

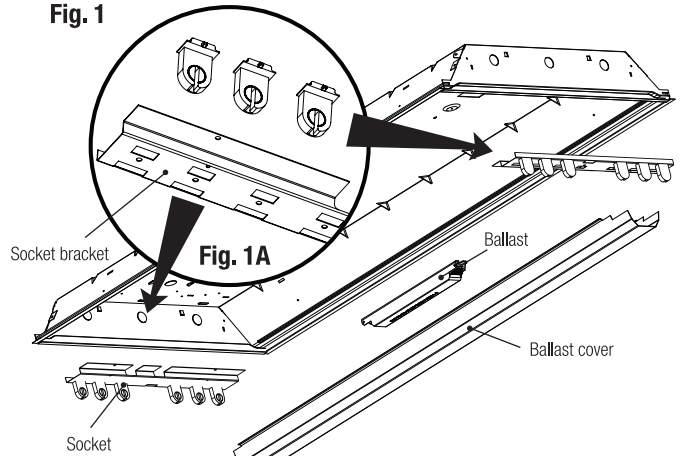


Fig. 2

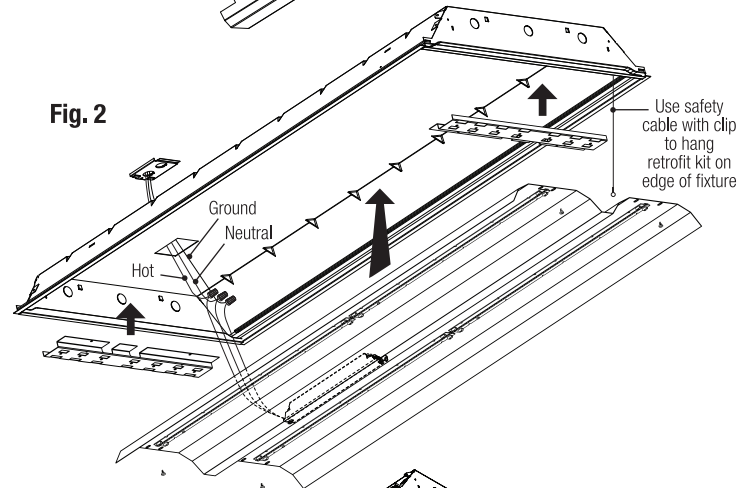


Fig. 3

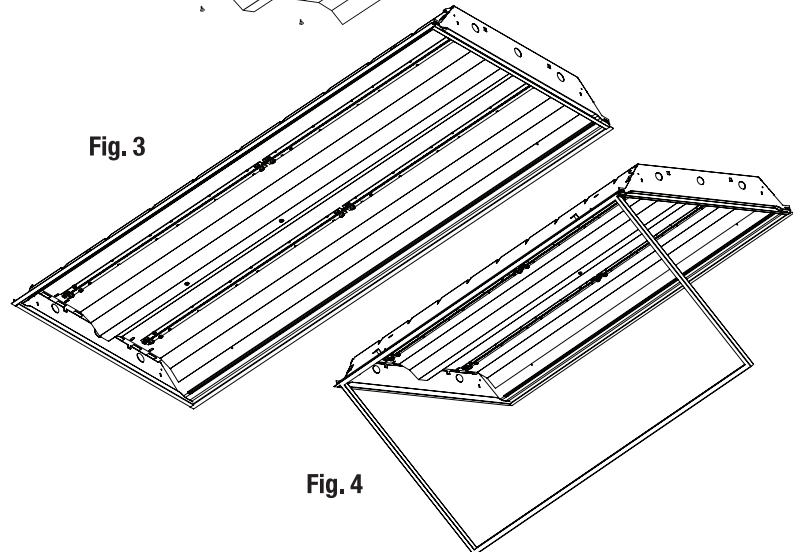
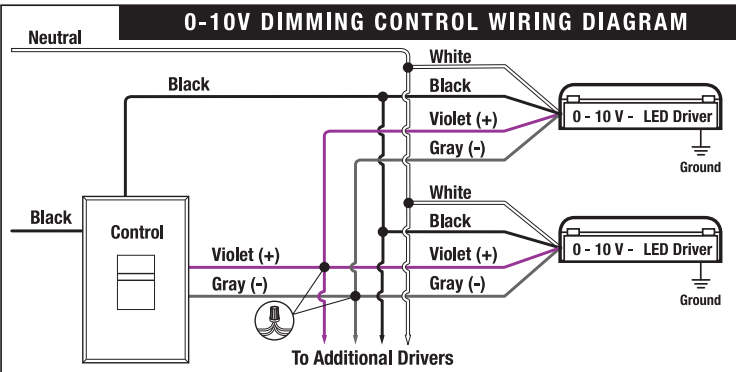


Fig. 4



WARNING: For safety, read and understand instructions completely before starting installation. Electricity should be turned off at the fuse or the circuit breaker box before installing the fixture. All electrical connections must be in accordance with N. E. C. or your local code.