

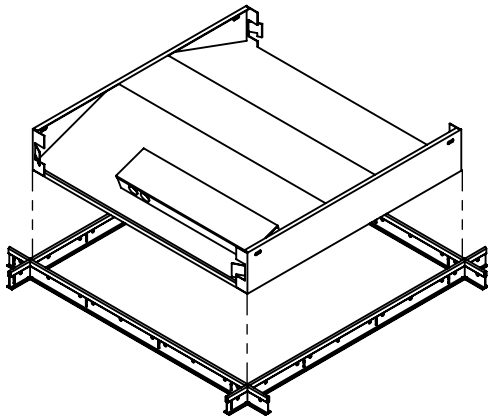
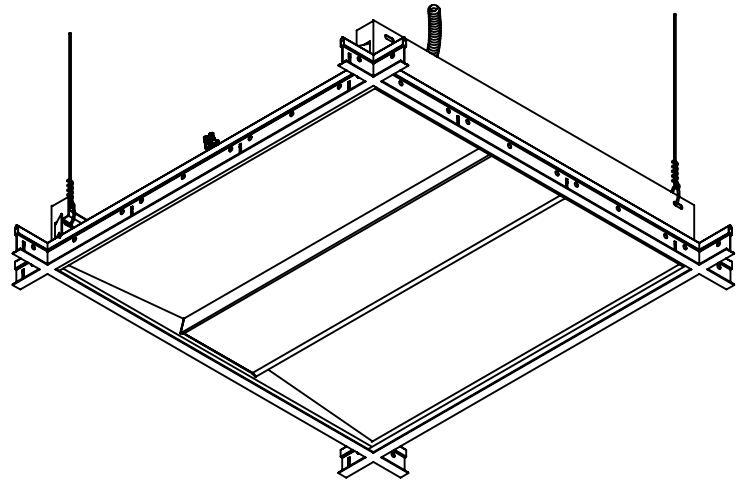
**22-LITE-LED-1 Series**

**INSTALLATION INSTRUCTIONS**

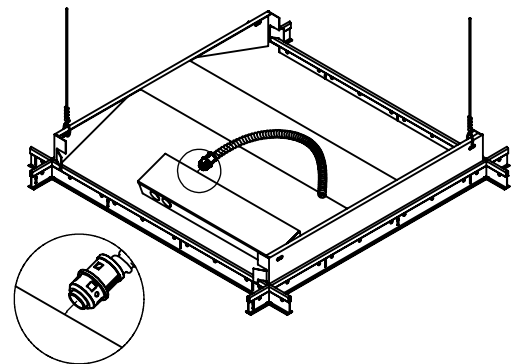
**CAUTION READ BEFORE INSTALLATION:**

1. Risk of shock- Disconnect power before installation
2. Product must be installed in accordance with NEC or your local electrical code. If you are not familiar with these codes and requirements, consult a qualified electrician.
3. Do not make or alter any open holes in an enclosure of wiring or electrical components during kit installation.
4. Do not handle energized luminaire with wet hands, when standing on wet or damp surfaces, or in water

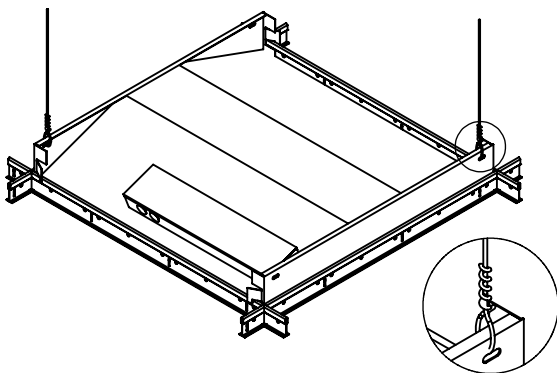
**ASSEMBLY INSTRUCTIONS**



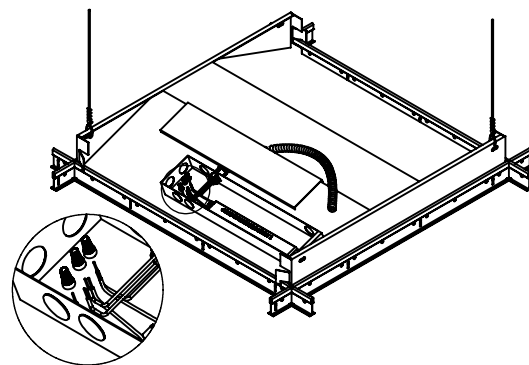
**Step 1:** Set the troffer into the grid. Inspect the fit of the troffer in the grid. The troffer should be lying flat in the grid with no gaps.



**Step 3:** Remove appropriate round knock-out(s) and connect conduit to wiring box with proper connector(s).



**Step 2:** Secure the troffer with the grid by bending all four tabs to the grid and installing safety cables through the holes (per local building codes, safety cables by others) .



**Step 4:** AC input connect to neutral in N, the line connect to L, the ground connect to the green wire. For dimming wiring please refer to the appropriate wiring diagram.